

## cSPIN™: microstepping motor controller with motion engine and SPI

Datasheet – production data

### Features

- Operating voltage: 7.5 V - 85 V
- Dual full-bridge gate driver for N-channel MOSFETs
- Fully programmable gate driving
- Embedded Miller clamp function
- Programmable speed profile
- Up to 1/128 microstepping
- Sensorless stall detection
- Integrated voltage regulators
- SPI interface
- Low quiescent standby currents
- Programmable non-dissipative overcurrent protection
- Overtemperature protection

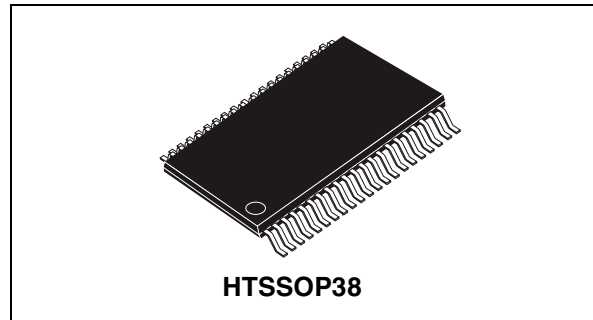
### Applications

- Bipolar stepper motor

### Description

The L6480, realized in analog mixed signal technology, is an advanced fully integrated solution suitable for driving two-phase bipolar stepper motors with microstepping.

It integrates a dual full-bridge gate driver for N-channel MOSFET power stages with embedded non-dissipative overcurrent protection. Thanks to



a unique voltage mode driving mode which compensates for BEMF, bus voltage and motor winding variations, the microstepping of a true 1/128-step resolution is achieved. The digital control core can generate user defined motion profiles with acceleration, deceleration, speed or target position easily programmed through a dedicated register set. All application commands and data registers, including those used to set analog values (i.e. current protection trip point, deadtime, PWM frequency, etc.) are sent through a standard 5-Mbit/s SPI. A very rich set of protections (thermal, low bus voltage, overcurrent and motor stall) make the L6480 “bullet proof”, as required by the most demanding motor control applications.

**Table 1. Device summary**

Order codes	Package	Packaging
L6480H	HTSSOP38	Tube
L6480HTR	HTSSOP38	Tape and reel

# Contents

- 1      Block diagram ..... 8**
- 2      Electrical data ..... 9**
  - 2.1 Absolute maximum ratings ..... 9
  - 2.2 Recommended operating conditions ..... 10
  - 2.3 Thermal data ..... 10
- 3      Electrical characteristics ..... 11**
- 4      Pin connection ..... 16**
  - 4.1 Pin list ..... 16
- 5      Typical applications ..... 18**
- 6      Functional description ..... 19**
  - 6.1 Device power-up ..... 19
  - 6.2 Logic I/O ..... 19
  - 6.3 Charge pump ..... 19
  - 6.4 Microstepping ..... 20
    - 6.4.1 Automatic Full-step and Boost modes ..... 21
  - 6.5 Absolute position counter ..... 22
  - 6.6 Programmable speed profiles ..... 22
  - 6.7 Motor control commands ..... 23
    - 6.7.1 Constant speed commands ..... 23
    - 6.7.2 Positioning commands ..... 23
    - 6.7.3 Motion commands ..... 24
    - 6.7.4 Stop commands ..... 24
    - 6.7.5 Step-clock mode ..... 25
    - 6.7.6 GoUntil and ReleaseSW commands ..... 25
  - 6.8 Internal oscillator and oscillator driver ..... 25
    - 6.8.1 Internal oscillator ..... 26
    - 6.8.2 External clock source ..... 26
  - 6.9 Overcurrent detection ..... 27

6.10	Undervoltage lockout (UVLO)	28
6.11	VS undervoltage lockout (UVLO_ADC)	29
6.12	Thermal warning and thermal shutdown	29
6.13	Reset and standby	30
6.14	External switch (SW pin)	30
6.15	Programmable gate drivers	31
6.16	Deadtime and blanking time	32
6.17	Integrated analog to digital converter	32
6.18	Supply management and internal voltage regulators	33
6.19	BUSY/SYNC pin	34
6.20	FLAG pin	34
<b>7</b>	<b>Phase current control</b>	<b>35</b>
7.1	PWM sinewave generators	35
7.2	Sensorless stall detection	36
7.3	Low speed optimization	36
7.4	BEMF compensation	37
7.5	Motor supply voltage compensation	38
7.6	Winding resistance thermal drift compensation	39
<b>8</b>	<b>Serial interface</b>	<b>40</b>
<b>9</b>	<b>Programming manual</b>	<b>42</b>
9.1	Register and flag description	42
9.1.1	ABS_POS	43
9.1.2	EL_POS	43
9.1.3	MARK	44
9.1.4	SPEED	44
9.1.5	ACC	44
9.1.6	DEC	45
9.1.7	MAX_SPEED	45
9.1.8	MIN_SPEED	45
9.1.9	FS_SPD	46
9.1.10	KVAL_HOLD, KVAL_RUN, KVAL_ACC and KVAL_DEC	46
9.1.11	INT_SPEED	47

9.1.12	ST_SLP	47
9.1.13	FN_SLP_ACC	47
9.1.14	FN_SLP_DEC	48
9.1.15	K_THERM	48
9.1.16	ADC_OUT	48
9.1.17	OCD_TH	49
9.1.18	STALL_TH	49
9.1.19	STEP_MODE	49
9.1.20	ALARM_EN	51
9.1.21	GATECFG1	51
9.1.22	GATECFG2	53
9.1.23	CONFIG	53
9.1.24	STATUS	58
9.2	Application commands	60
9.2.1	Command management	61
9.2.2	Nop	62
9.2.3	SetParam (PARAM, VALUE)	62
9.2.4	GetParam (PARAM)	62
9.2.5	Run (DIR, SPD)	63
9.2.6	StepClock (DIR)	63
9.2.7	Move (DIR, N_STEP)	64
9.2.8	GoTo (ABS_POS)	64
9.2.9	GoTo_DIR (DIR, ABS_POS)	65
9.2.10	GoUntil (ACT, DIR, SPD)	65
9.2.11	ReleaseSW (ACT, DIR)	66
9.2.12	GoHome	66
9.2.13	GoMark	66
9.2.14	ResetPos	67
9.2.15	ResetDevice	67
9.2.16	SoftStop	67
9.2.17	HardStop	68
9.2.18	SoftHiZ	68
9.2.19	HardHiZ	68
9.2.20	GetStatus	69
<b>10</b>	<b>Package mechanical data</b>	<b>70</b>
<b>11</b>	<b>Revision history</b>	<b>72</b>

## List of tables

Table 1.	Device summary . . . . .	1
Table 2.	Absolute maximum ratings . . . . .	9
Table 3.	Recommended operating conditions . . . . .	10
Table 4.	Thermal data . . . . .	10
Table 5.	Electrical characteristics . . . . .	11
Table 6.	Pin description . . . . .	16
Table 7.	Typical application values . . . . .	18
Table 8.	CL values according to external oscillator frequency . . . . .	26
Table 9.	UVLO thresholds . . . . .	29
Table 10.	Thermal protection summarizing table . . . . .	30
Table 11.	Register map . . . . .	42
Table 12.	EL_POS register . . . . .	43
Table 13.	MIN_SPEED register . . . . .	45
Table 14.	FS_SPD register . . . . .	46
Table 15.	Voltage amplitude regulation registers . . . . .	47
Table 16.	Winding resistance thermal drift compensation coefficient . . . . .	48
Table 17.	ADC_OUT value and motor supply voltage compensation feature . . . . .	48
Table 18.	Overcurrent detection threshold . . . . .	49
Table 19.	Stall detection threshold . . . . .	49
Table 20.	STEP_MODE register . . . . .	49
Table 21.	Step mode selection . . . . .	50
Table 22.	SYNC signal source . . . . .	50
Table 23.	ALARM_EN register . . . . .	51
Table 24.	GATECFG1 register . . . . .	51
Table 25.	IGATE parameter . . . . .	51
Table 26.	TCC parameter . . . . .	52
Table 27.	TBOOST parameter . . . . .	52
Table 28.	GATECFG2 register (voltage mode) . . . . .	53
Table 29.	TDT parameter . . . . .	53
Table 30.	TBLANK parameter . . . . .	53
Table 31.	CONFIG register . . . . .	53
Table 32.	Oscillator management . . . . .	54
Table 33.	External switch hard stop interrupt mode . . . . .	54
Table 34.	Overcurrent event . . . . .	55
Table 35.	Programmable V <sub>CC</sub> regulator output voltage . . . . .	55
Table 36.	Programmable UVLO thresholds . . . . .	55
Table 37.	Motor supply voltage compensation enable . . . . .	55
Table 38.	PWM frequency: integer division factor . . . . .	55
Table 39.	PWM frequency: multiplication factor . . . . .	56
Table 40.	Available PWM frequencies [kHz]: 8-MHz oscillator frequency . . . . .	56
Table 41.	Available PWM frequencies [kHz]: 16-MHz oscillator frequency . . . . .	57
Table 42.	Available PWM frequencies [kHz]: 24-MHz oscillator frequency . . . . .	57
Table 43.	Available PWM frequencies [kHz]: 32-MHz oscillator frequency . . . . .	58
Table 44.	STATUS register . . . . .	58
Table 45.	STATUS register TH_STATUS bits . . . . .	59
Table 46.	STATUS register DIR bit . . . . .	59
Table 47.	STATUS register MOT_STATE bits . . . . .	59
Table 48.	Application commands . . . . .	60

---

Table 49.	Nop command structure . . . . .	62
Table 50.	SetParam command structure . . . . .	62
Table 51.	GetParam command structure . . . . .	62
Table 52.	Run command structure . . . . .	63
Table 53.	StepClock command structure . . . . .	63
Table 54.	Move command structure . . . . .	64
Table 55.	GoTo command structure . . . . .	64
Table 56.	GoTo_DIR command structure . . . . .	65
Table 57.	GoUntil command structure . . . . .	65
Table 58.	ReleaseSW command structure . . . . .	66
Table 59.	GoHome command structure . . . . .	66
Table 60.	GoMark command structure . . . . .	66
Table 61.	ResetPos command structure . . . . .	67
Table 62.	ResetDevice command structure . . . . .	67
Table 63.	SoftStop command structure . . . . .	67
Table 64.	HardStop command structure . . . . .	68
Table 65.	SoftHiZ command structure . . . . .	68
Table 66.	HardHiZ command structure . . . . .	68
Table 67.	GetStatus command structure . . . . .	69
Table 68.	HTSSOP38 mechanical data . . . . .	70
Table 69.	Document revision history . . . . .	72

## List of figures

Figure 1.	Block diagram . . . . .	8
Figure 2.	Pin connection (top view) . . . . .	16
Figure 3.	Typical application schematic . . . . .	18
Figure 4.	Charge pump circuitry . . . . .	20
Figure 5.	Normal mode and microstepping (128 microsteps) . . . . .	20
Figure 6.	Automatic Full-step switching in Normal mode . . . . .	21
Figure 7.	Automatic Full-step switching in Boost mode . . . . .	22
Figure 8.	Constant speed command examples . . . . .	23
Figure 9.	Positioning command examples . . . . .	24
Figure 10.	Motion commands examples . . . . .	24
Figure 11.	OSCIN and OSCOUT pin configuration . . . . .	27
Figure 12.	Overcurrent detection-principle scheme . . . . .	28
Figure 13.	External switch connection . . . . .	31
Figure 14.	Gate driving currents . . . . .	32
Figure 15.	Device supply pin management . . . . .	33
Figure 16.	Current distortion and compensation . . . . .	37
Figure 17.	BEMF compensation curve . . . . .	38
Figure 18.	Motor supply voltage compensation circuit . . . . .	38
Figure 19.	SPI timings diagram . . . . .	40
Figure 20.	Daisy chain configuration . . . . .	41
Figure 21.	Command with 3-byte argument . . . . .	61
Figure 22.	Command with 3-byte response . . . . .	61
Figure 23.	Command response aborted . . . . .	61
Figure 24.	HTSSOP38 package dimensions . . . . .	70
Figure 25.	HTSSOP38 footprint . . . . .	71





## 2 Electrical data

### 2.1 Absolute maximum ratings

**Table 2. Absolute maximum ratings**

Symbol	Parameter	Test condition	Value	Unit
$V_{DD}$	Logic interface supply voltage		5.5	V
$V_{REG}$	Logic supply voltage		3.6	
$V_S$	Motor supply voltage		95	V
$V_{CC}$	Low-side gate driver supply voltage		18	V
$V_{BOOT}$	Boot voltage		100	V
$\Delta V_{BOOT}$	High-side gate driver supply voltage		0 to 20	V
$V_{SREG}$	Internal $V_{CC}$ regulator supply voltage		95	V
$V_{CCREG}$	Internal $V_{REG}$ regulator supply voltage		18	V
$V_{OUT1A}$ $V_{OUT2A}$ $V_{OUT1B}$ $V_{OUT2B}$	Full-bridge output voltage	DC	-5 to $V_{BOOT}$	V
		AC	-15 to $V_{BOOT}$	
$SR_{out}$	Full-bridge outputs slew rate (10% - 90%)		10	V/ns
$V_{HVG1A}$ $V_{HVG2A}$ $V_{HVG1B}$ $V_{HVG2B}$	High-side output driver voltage		$V_{OUT}$ to $V_{BOOT}$	V
$\Delta V_{HVG1A}$ $\Delta V_{HVG2A}$ $\Delta V_{HVG1B}$ $\Delta V_{HVG2B}$	High-side output driver to respective bridge output voltage ( $V_{HVG} - V_{OUT}$ )		15	V
$V_{LVG1A}$ $V_{LVG2A}$ $V_{LVG1B}$ $V_{LVG2B}$	Low-side output driver voltage		$V_{CC} + 0.3$	V
$I_{GATE-CLAMP}$	High-side gate voltage clamp current capability		100	mA
$V_{ADCIN}$	Integrated ADC input voltage range (ADCIN pin)		-0.3 to 3.6	V
$V_{out\_diff}$	Differential voltage between $V_{BOOT}$ , $V_S$ , $OUT1A$ , $OUT2A$ , $PGND$ and $V_{BOOT}$ , $V_S$ , $OUT1B$ , $OUT2B$ , $PGND$ pins		100	V

**Table 2. Absolute maximum ratings (continued)**

Symbol	Parameter	Test condition	Value	Unit
$V_{in}$	Logic inputs voltage range		-0.3 to 5.5	V
$T_{OP}$ $T_s$	Storage and operating junction		-40 to 150	°C
$P_{tot}$	Total power dissipation ( $T_{amb} = 25$ °C)	(1)	4	W

1. HTSSOP38 mounted on a four-layer FR4 PCB with a dissipating copper surface of about 30 cm<sup>2</sup>.

## 2.2 Recommended operating conditions

**Table 3. Recommended operating conditions**

Symbol	Parameter	Test condition	Min.	Typ.	Max.	Unit
$V_{DD}$	Logic interface supply voltage	3.3 V logic outputs		3.3		V
		5 V logic outputs		5		
$V_{REG}$	Logic supply voltage			3.3		V
$V_S$	Motor supply voltage		$V_{SREG}$		85	V
$V_{SREG}$	Internal $V_{CC}$ voltage regulator	$V_{CC}$ voltage internally generated	$V_{CC} + 3$		$V_s$	V
$V_{CC}$	Gate driver supply voltage	$V_{CC}$ voltage imposed by external source ( $V_{SREG} = V_{CC}$ )	7.5		15	V
$V_{CCREG}$	Internal $V_{REG}$ voltage regulator supply voltage	$V_{REG}$ voltage internally generated	6.3		$V_{CC}$	V
$V_{ADC}$	Integrated ADC input voltage (ADCIN pin)		0		$V_{REG}$	V

## 2.3 Thermal data

**Table 4. Thermal data**

Symbol	Parameter	Package	Typ.	Unit
$R_{thj-a}$	Thermal resistance junction-to-ambient	HTSSOP38 <sup>(1)</sup>	31	°C/W

1. HTSSOP38 mounted on a four-layer FR4 PCB with a dissipating copper surface of about 30 cm<sup>2</sup>.

### 3 Electrical characteristics

$V_S = 48\text{ V}$ ;  $V_{CC} = 7.5\text{ V}$ ;  $T_j = 25\text{ °C}$ , unless otherwise specified.

**Table 5. Electrical characteristics**

Symbol	Parameter	Test condition	Min.	Typ.	Max.	Unit
<b>General</b>						
$V_{CCthOn}$	$V_{CC}$ UVLO turn-on threshold	UVLO_VAL set high <sup>(1)</sup>	9.9	10.4	10.9	V
		UVLO_VAL set low <sup>(1)</sup>	6.5	6.9	7.3	V
$V_{CCthOff}$	$V_{CC}$ UVLO turn-off threshold	UVLO_VAL set high <sup>(1)</sup>	9.5	10	10.5	V
		UVLO_VAL set low <sup>(1)</sup>	5.9	6.3	6.7	V
$\Delta V_{BOOTthOn}$	$V_{BOOT} - V_S$ UVLO turn-on threshold	UVLO_VAL set high <sup>(1)</sup>	8.6	9.2	9.8	V
		UVLO_VAL set low <sup>(1)</sup>	5.7	6	6.3	V
$\Delta V_{BOOTthOff}$	$V_{BOOT} - V_S$ UVLO turn-off threshold	UVLO_VAL set high <sup>(1)</sup>	8.2	8.8	9.5	V
		UVLO_VAL set low <sup>(1)</sup>	5.3	5.5	5.8	V
$V_{REGthOn}$	$V_{REG}$ turn-on threshold	(1)	2.8	3	3.18	V
$V_{REGthOff}$	$V_{REG}$ turn-off threshold	(1)	2.2	2.4	2.5	V
$I_{VREGqu}$	Undervoltage $V_{REG}$ quiescent supply current	$V_{CCREG} = V_{REG} < 2.2\text{ V}$ <sup>(1)</sup>		40		$\mu\text{A}$
$I_{VREGq}$	Quiescent $V_{REG}$ supply current	$V_{CCREG} = V_{REG} = 3.3\text{ V}$ , internal oscillator selected <sup>(1)</sup>		3.8		mA
$I_{VSREGq}$	Quiescent $V_{SREG}$ supply current	$V_{CCREG} = V_{CC} = 15\text{ V}$		6.5		mA
<b>Thermal protection</b>						
$T_{j(WRN)Set}$	Thermal warning temperature			135		$^{\circ}\text{C}$
$T_{j(WRN)Rec}$	Thermal warning recovery temperature			125		$^{\circ}\text{C}$
$T_{j(OFF)Set}$	Thermal bridge shutdown temperature			155		$^{\circ}\text{C}$
$T_{j(OFF)Rec}$	Thermal bridge shutdown recovery temperature			145		$^{\circ}\text{C}$
$T_{j(SD)Set}$	Thermal device shutdown temperature			170		$^{\circ}\text{C}$
$T_{j(SD)Rec}$	Thermal device shutdown recovery temperature			130		$^{\circ}\text{C}$
<b>Charge pump</b>						
$V_{pump}$	Voltage swing for charge pump oscillator			$V_{CC}$		V
$f_{pump,min}$	Minimum charge pump oscillator frequency <sup>(2)</sup>			660		kHz
$f_{pump,max}$	Maximum charge pump oscillator frequency <sup>(2)</sup>			800		kHz
$R_{pumpHS}$	Charge pump high-side $R_{DS(on)}$ resistance			10		$\Omega$

Table 5. Electrical characteristics (continued)

Symbol	Parameter	Test condition	Min.	Typ.	Max.	Unit
$R_{pumpLS}$	Charge pump low-side $R_{DS(ON)}$ resistance			10		$\Omega$
$I_{boot}$	Average boot current			2.6		mA
<b>Gate Driver Outputs</b>						
$I_{GATE,Sink}$	Programmable high-side and low-side gate sink current	$V_S = 38\text{ V}$ $V_{HVGX} - V_{OUTX} > 3\text{ V}$ $V_{LVGX} > 3\text{ V}$	2.4	4	5.6	mA
			5.4	8	10.6	
			11.3	16	20.7	
			17.3	24	30.7	
			23.2	32	40.8	
			50.2	64	77.8	
$I_{GATE,Source}$	Programmable high-side and low-side gate source current	$V_S = 38\text{ V}$ $V_{BOOTX} - V_{HVGX} > 3.5\text{ V}$ $V_{CC} - V_{LVGX} > 3.5\text{ V}$	2.8	4	5.2	mA
			5.8	8	10.2	
			12	16	20	
			18	24	30	
			24	32	40	
			51	64	77	
$I_{OB}$	High-side and low-side turn-off overboost gate current		85	103	117	mA
$R_{CLAMP(LS)}$	Low-side gate driver Miller clamp resistance			6.5	10	$\Omega$
$R_{CLAMP(HS)}$	High-side gate driver Miller clamp resistance			3	10	$\Omega$
$V_{GATE-CLAMP}$	High-side gate voltage clamp	$I_{GATE-CLAMP} = 10\text{ mA}$		16.7		v
$t_{cc}$	Programmable constant gate current time <sup>(2)</sup>	$TCC = '00000'$		125		ns
		$TCC = 11111$		3750		
$t_{OB}$	Programmable. Turn-off overboost; gate current time <sup>(2)</sup>	$TBOOST = '001'$ , internal oscillator		62.5		ns
		$TBOOST = '111'$		1000		
$I_{DSS}$	Leakage current	$OUT = V_S$			0.1	mA
		$OUT = GND$	-0.1			mA
$t_r$	Rise time (10% - 90%)	$I_{GATE} = 96\text{ mA}$ $V_{CC} = 15\text{ V}$ $C_{GATE} = 15\text{ nF}$		2.5		$\mu\text{s}$
$t_f$	Fall time (90%-10%)	$I_{GATE} = 96\text{ mA}$ $V_{CC} = 15\text{ V}$ $C_{GATE} = 15\text{ nF}$		2.5		$\mu\text{s}$

Table 5. Electrical characteristics (continued)

Symbol	Parameter	Test condition	Min.	Typ.	Max.	Unit
SRgate	Gate driver output slew rate	I <sub>GATE</sub> = 96 mA V <sub>CC</sub> = 15 V C <sub>GATE</sub> = 15 nF		6		V/μs
<b>Deadtime and blanking</b>						
t <sub>DT</sub>	Programmable deadtime <sup>2</sup>	TDT = '00000'		125		ns
		TDT = '11111'		4000		
t <sub>blank</sub>	Programmable blanking time <sup>2</sup>	TBLANK = '000'		125		ns
		TBLANK = '111'		1000		
<b>Logic</b>						
V <sub>IL</sub>	Low level logic input voltage				0.8	V
V <sub>IH</sub>	High level logic input voltage		2			V
I <sub>IH</sub>	High level logic input current	V <sub>IN</sub> = 5 V, V <sub>DDIO</sub> = 5 V			1	μA
I <sub>IL</sub>	Low level logic input current	V <sub>IN</sub> = 0 V, V <sub>DDIO</sub> = 5 V	-1			μA
V <sub>OL</sub>	Low level logic output voltage <sup>(3)</sup>	V <sub>DD</sub> = 3.3 V, I <sub>OL</sub> = 4 mA			0.3	V
		V <sub>DD</sub> = 5 V, I <sub>OL</sub> = 4 mA			0.3	
V <sub>OH</sub>	High level logic output voltage	V <sub>DD</sub> = 3.3 V, I <sub>OH</sub> = 4 mA	2.4			V
		V <sub>DD</sub> = 5 V, I <sub>OH</sub> = 4 mA	4.7			
R <sub>PUCS</sub>	CS pull-up resistor			430		kΩ
R <sub>PDRST</sub>	STBY/RESET pull-down resistor			450		
R <sub>PUSW</sub>	SW pull-up resistor			80		
t <sub>high,STCK</sub>	Step-clock input high time			300		ns
t <sub>low,STCK</sub>	Step-clock input low time			300		ns
<b>Internal oscillator and external oscillator driver</b>						
f <sub>osc,int</sub>	Internal oscillator frequency	T <sub>j</sub> = 25 °C,	-5%	16	+5%	MHz
f <sub>osc,ext</sub>	Programmable external oscillator frequency		8		32	MHz
V <sub>OSCOUTH</sub>	OSCOUT clock source high level voltage	Internal oscillator	2.4			V
V <sub>OSCOU TL</sub>	OSCOUT clock source low level voltage	Internal oscillator			0.3	V
t <sub>rOSCOUT</sub> t <sub>fOSCOUT</sub>	OSCOUT clock source rise and fall time	Internal oscillator			10	ns
t <sub>high</sub>	OSCOUT clock source high time	Internal oscillator		62.5		ns
t <sub>extosc</sub>	Internal to external oscillator switching delay			3		ms
t <sub>intosc</sub>	External to internal oscillator switching delay				100	μs
<b>SPI</b>						
f <sub>CK,MAX</sub>	Maximum SPI clock frequency <sup>(4)</sup>		5			MHz

**Table 5. Electrical characteristics (continued)**

Symbol	Parameter	Test condition	Min.	Typ.	Max.	Unit
$t_{rCK}$ $t_{fCK}$	SPI clock rise and fall time <sup>(4)</sup>				1	μs
$t_{hCK}$ $t_{lCK}$	SPI clock high and low time <sup>(4)</sup>		90			ns
$t_{setCS}$	Chip select setup time <sup>(4)</sup>		30			ns
$t_{holCS}$	Chip select hold time <sup>(4)</sup>		30			ns
$t_{disCS}$	Deselect time <sup>(4)</sup>		625			ns
$t_{setSDI}$	Data input setup time <sup>(4)</sup>		20			ns
$t_{holSDI}$	Data input hold time <sup>(4)</sup>		30			ns
$t_{enSDO}$	Data output enable time <sup>(4)</sup>				95	ns
$t_{disSDO}$	Data output disable time <sup>(4)</sup>				95	ns
$t_{vSDO}$	Data output valid time <sup>(4)</sup>				35	ns
$t_{holSDO}$	Data output hold time <sup>(4)</sup>		0			ns
<b>PWM modulators</b>						
$f_{PWM}$	Programmable PWM frequency <sup>(2)</sup>	$f_{osc} = 32 \text{ MHz}$ F_PWM_INT='11X' F_PWM_DEC='000'		5.6		kHz
		$f_{osc} = 32 \text{ MHz}$ F_PWM_INT='000' F_PWM_DEC='111'		125		
$N_{PWM}$	PWM resolution			8		bit
<b>Overcurrent protection</b>						
$V_{OCD}$	Programmable overcurrent detection voltage $V_{DS}$ threshold	OCD_TH = '11111'	800	1000	1100	mV
		OCD_TH = '00000'	27	31	35	mV
		OCD_TH = '01001'	270	312.5	344	mV
		OCD_TH = '10011'	500	625	688	mV
$t_{OCD,Comp}$	OCD comparator delay		100	200		ns
$t_{OCD,Flag}$	OCD to flag signal delay time		230	530		ns
$t_{OCD,SD}$	OCD to shutdown delay time	OCD_TH = '11111' OCD event to 90% of gate voltage		400	630	ns
<b>Stall detection</b>						
$V_{STALL}$	Programmable stall detection $V_{DS}$ voltage threshold	STALL_TH = '11111'		1000		mV
		STALL_TH = '00000'		31		
<b>Standby</b>						

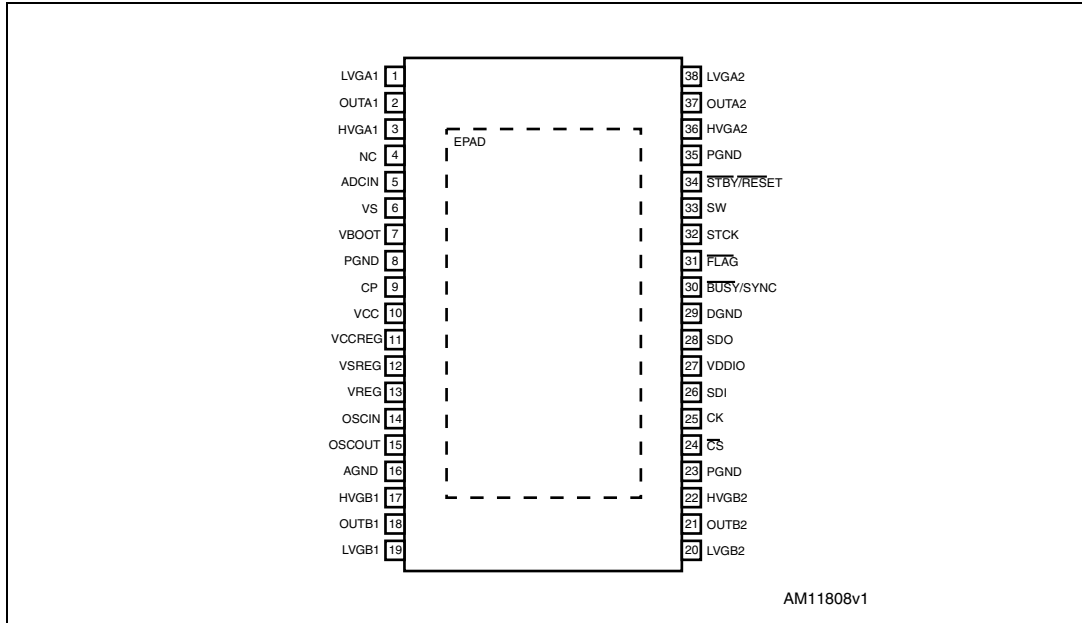
Table 5. Electrical characteristics (continued)

Symbol	Parameter	Test condition	Min.	Typ.	Max.	Unit
$I_{\text{STBY}}$	Standby mode supply current (VSREG pin)	$V_{\text{CC}} = V_{\text{CCREG}} = 7.5 \text{ V}$ $V_{\text{SREG}} = 48 \text{ V}$		42		$\mu\text{A}$
		$V_{\text{CC}} = V_{\text{CCREG}} = 7.5 \text{ V}$ $V_{\text{SREG}} = 18 \text{ V}$		37.5		
$I_{\text{STBY,vreg}}$	Standby mode supply current (VREG pin)			6		$\mu\text{A}$
$t_{\text{STBY,min}}$	Minimum standby time			0.5		ms
$t_{\text{logicwu}}$	Logic power-on and wake-up time			500		$\mu\text{s}$
$t_{\text{cpwu}}$	Charge pump power-on and wake-up time	Power bridges disabled, $C_{\text{p}} = 10 \text{ nF}$ , $C_{\text{boot}} = 220 \text{ nF}$ , $V_{\text{CC}} = 15 \text{ V}$		1		ms
<b>Internal voltage regulators</b>						
$V_{\text{CCOUT}}$	Internal $V_{\text{CC}}$ voltage regulator output voltage	Low (default), $I_{\text{CC}} = 10 \text{ mA}$	7.3	7.5		V
		High, $I_{\text{CC}} = 10 \text{ mA}$	14	15		
$V_{\text{SREG, drop}}$	$V_{\text{SREG}}$ to $V_{\text{CC}}$ dropout voltage	$I_{\text{CC}} = 50 \text{ mA}$			3	V
$P_{\text{CC}}$	Internal $V_{\text{CC}}$ voltage regulator power dissipation				2.5	W
$V_{\text{REGOUT}}$	Internal $V_{\text{REG}}$ voltage regulator output voltage	$I_{\text{REG}} = 10 \text{ mA}$	3.135	3.3		V
$V_{\text{CCREG, drop}}$	$V_{\text{CCREG}}$ to $V_{\text{REG}}$ dropout voltage	$I_{\text{REG}} = 50 \text{ mA}$			3	V
$I_{\text{REGOUT}}$	Internal $V_{\text{REG}}$ voltage regulator output current	VREG pin shorted to ground.		125		mA
$I_{\text{REGOUT,STBY}}$	Internal $V_{\text{REG}}$ voltage regulator output standby current	VREG pin shorted to ground.		55		mA
$P_{\text{REG}}$	Internal $V_{\text{REG}}$ voltage regulator power dissipation				0.5	W
<b>Integrated analog to digital converter</b>						
$N_{\text{ADC}}$	Analog to digital converter resolution			5		bit
$V_{\text{ADC,ref}}$	Analog to digital converter reference voltage			3.3		V
$f_{\text{S}}$	Analog to digital converter sampling frequency	(2)		$f_{\text{PWM}}$		kHz
$V_{\text{ADC,UVLO}}$	ADCIN UVLO threshold		1.05	1.16	1.35	V

1. Guaranteed in the temperature range -25 to 125 °C.
2. The value accuracy is dependent on oscillator frequency accuracy ([Section 6.8](#)).
3.  $\overline{\text{FLAG}}$  and  $\overline{\text{BUSY}}$  open drain outputs included.
4. See [Figure 19](#).

## 4 Pin connection

Figure 2. Pin connection (top view)



### 4.1 Pin list

Table 6. Pin description

No.	Name	Type	Function
11	VCCREG	Power supply	Internal $V_{REG}$ voltage regulator supply voltage
13	VREG	Power supply	Logic supply voltage
27	VDD	Power supply	Logic interface supply voltage
12	VSREG	Power supply	Internal $V_{CC}$ voltage regulator supply voltage
10	VCC	Power supply	Gate driver supply voltage
14	OSCIN	Analog input	Oscillator pin1. To connect an external oscillator or clock source
15	OSCOUT	Analog output	Oscillator pin2. To connect an external oscillator. When the internal oscillator is used, this pin can supply a 2/4/8/16 MHz clock
9	CP	Output	Charge pump oscillator output
7	VBOOT	Power supply	Bootstrap voltage needed for driving the high-side power DMOS of both bridges (A and B)
5	ADCIN	Analog input	Internal analog to digital converter input
6	VS	Power supply	Motor voltage
3	HVGA1	Power output	High-side half-bridge A1 gate driver output



Table 6. Pin description (continued)

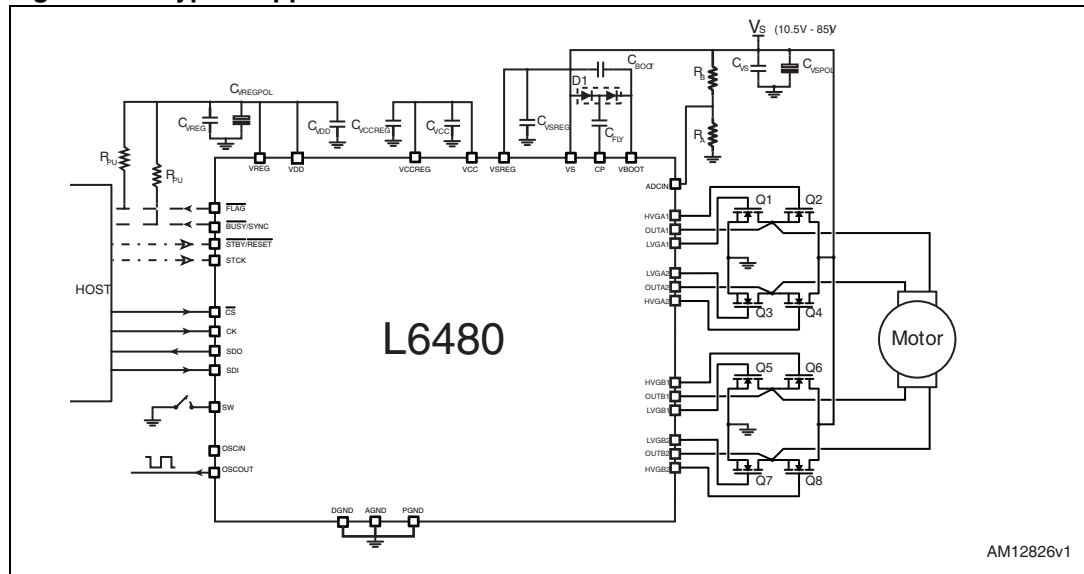
No.	Name	Type	Function
36	HVGA2	Power output	High-side half-bridge A2 gate driver output
17	HVGB1	Power output	High-side half-bridge B1 gate driver output
22	HVGB2	Power output	High-side half-bridge B2 gate driver output
1	LVGA1	Power output	Low-side half-bridge A1 gate driver output
38	LVGA2	Power output	Low-side half-bridge A2 gate driver output
19	LVGB1	Power output	Low-side half-bridge B1 gate driver output
20	LVGB2	Power output	Low-side half-bridge B2 gate driver output
8,23,35	PGND	Ground	Power ground pins. They must be connected to other ground pins
2	OUTA1	Power input	Full-bridge A output 1
37	OUTA2	Power input	Full-bridge A output 2
18	OUTB1	Power input	Full-bridge B output 1
21	OUTB2	Power input	Full-bridge B output 2
16	AGND	Ground	Analog ground. It must be connected to other ground pins
33	SW	Logical input	External switch input pin
29	DGND	Ground	Digital ground. It must be connected to other ground pins
28	SDO	Logical output	Data output pin for serial interface
26	SDI	Logical input	Data input pin for serial interface
25	CK	Logical input	Serial interface clock
24	$\overline{CS}$	Logical input	Chip select input pin for serial interface
30	$\overline{BUSY}/\text{SYNC}$	Open drain output	By default, the $\overline{BUSY}/\text{SYNC}$ pin is forced low when the device is performing a command. The pin can be programmed in order to generate a synchronization signal
31	$\overline{FLAG}$	Open drain output	Status flag pin. An internal open drain transistor can pull the pin to GND when a programmed alarm condition occurs (step loss, OCD, thermal pre-warning or shutdown, UVLO, wrong command, non-performable command)
34	$\overline{STBY}$ $\overline{RESET}$	Logical input	Standby and reset pin. LOW logic level puts the device in Standby mode and reset logic. If not used, should be connected to $V_{REG}$
32	STCK	Logical input	Step-clock input
EPAD	Exposed pad	Ground	Exposed pad. It must be connected to other ground pins

# 5 Typical applications

Table 7. Typical application values

Name	Value
$C_{VSPOL}$	220 $\mu$ F
$C_{VS}$	220 nF
$C_{BOOT}$	470 nF
$C_{FLY}$	47 nF
$C_{VSREG}$	100 nF
$C_{VCC}$	470 nF
$C_{VCCREG}$	100 nF
$C_{VREG}$	100 nF
$C_{VREGPOL}$	22 $\mu$ F
$C_{VDD}$	100 nF
D1	Charge pump diodes
Q1,Q2,Q3,Q4,Q5,Q6,Q7,Q8	STD25NF10
$R_{PU}$	39 k $\Omega$
$R_A$	1.8 k $\Omega$ ( $V_S = 85$ V)
$R_B$	91 k $\Omega$ ( $V_S = 85$ V)

Figure 3. Typical application schematic



AM12826v1

## 6 Functional description

### 6.1 Device power-up

During power-up, the device is under reset (all logic IOs disabled and power bridges in high impedance state) until the following conditions are satisfied:

- $V_{CC}$  is greater than  $V_{CCthOn}$
- $V_{BOOT} - V_S$  is greater than  $\Delta V_{BOOTthOn}$
- $V_{REG}$  is greater than  $V_{REGthOn}$
- Internal oscillator is operative
- $\overline{STBY/RESET}$  input is forced high.

After power-up, the device state is the following:

- Parameters are set to default
- Internal logic is driven by internal oscillator and a 2-MHz clock is provided by the OSCOUT pin
- Bridges are disabled (high impedance).

After power-up, a period of  $t_{logicwu}$  must pass before applying a command to allow proper oscillator and logic startup.

Any movement command makes the device exit from High Z state (HardStop and SoftStop included).

### 6.2 Logic I/O

Pins  $\overline{CS}$ , CK, SDI, STCK, SW and  $\overline{STBY/RESET}$  are TTL/CMOS 3.3 V-5 V compatible logic inputs.

Pin SDO is a TTL/CMOS compatible logic output. VDD pin voltage imposes logical output voltage range.

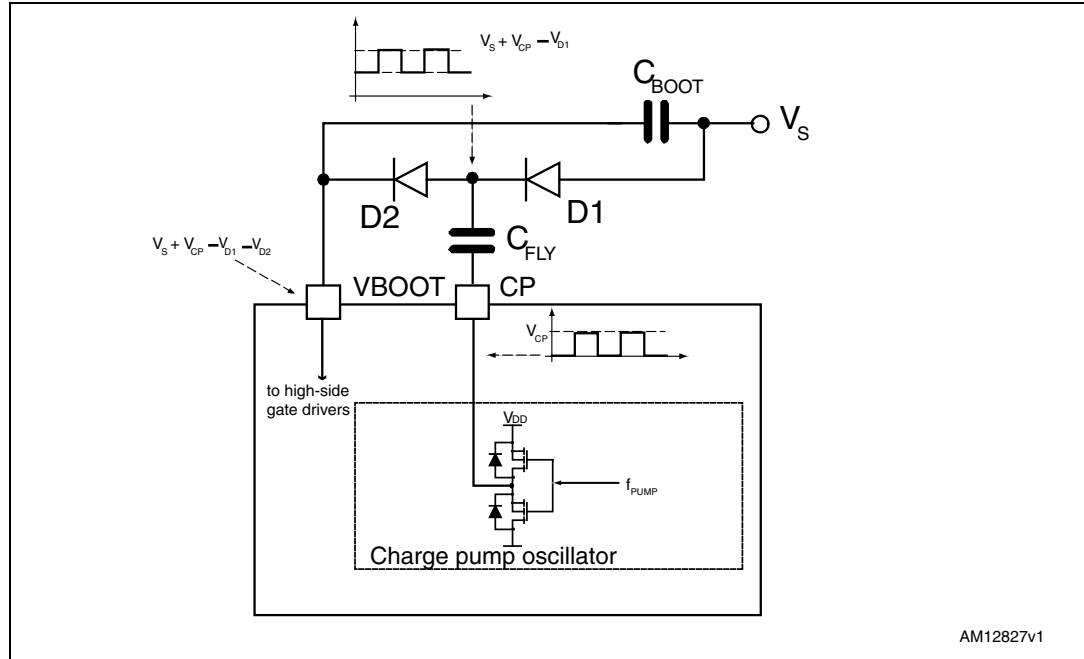
Pins  $\overline{FLAG}$  and  $\overline{BUSY/SYNC}$  are open drain outputs.

SW and  $\overline{CS}$  inputs are internally pulled up to  $V_{DD}$  and  $\overline{STBY/RESET}$  input is internally pulled down to ground.

### 6.3 Charge pump

To ensure the correct driving of the high-side integrated MOSFETs, a voltage higher than the motor power supply voltage needs to be applied to the VBOOT pin. The high-side gate driver supply voltage  $V_{BOOT}$  is obtained through an oscillator and a few external components realizing a charge pump (see [Figure 4](#)).

Figure 4. Charge pump circuitry



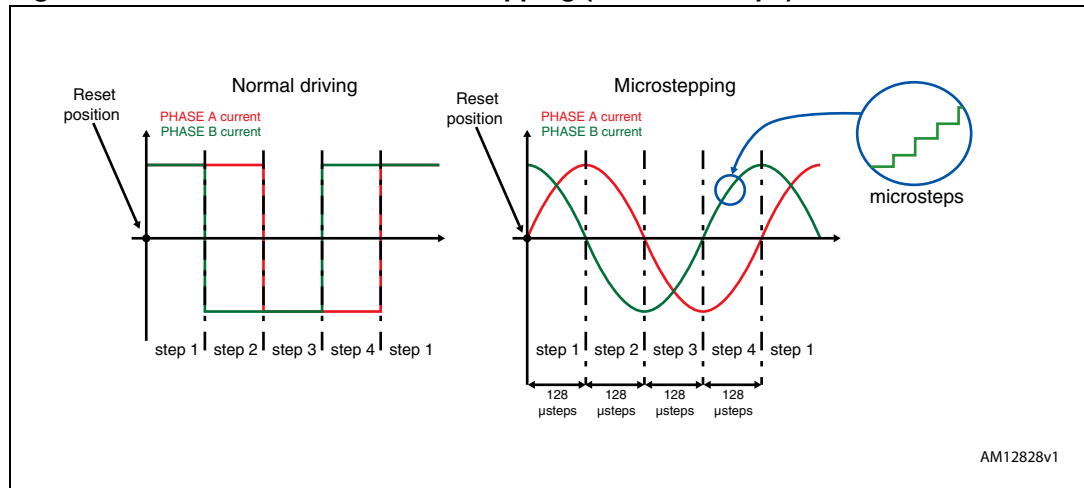
AM12827v1

## 6.4 Microstepping

The driver is able to divide the single step into up to 128 microsteps. Stepping mode can be programmed by the STEP\_SEL parameter in the STEP\_MODE register ([Table 20](#)).

Step mode can be only changed when bridges are disabled. Every time the step mode is changed, the electrical position (i.e. the point of microstepping sinewave that is generated) is reset to the first microstep and the absolute position counter value ([Section 6.5](#)) becomes meaningless.

Figure 5. Normal mode and microstepping (128 microsteps)



AM12828v1

### 6.4.1 Automatic Full-step and Boost modes

When motor speed is greater than a programmable full-step speed threshold, the L6480 switches automatically to Full-step mode; the driving mode returns to microstepping when motor speed decreases below the full-step speed threshold.

The switching between the microstepping and Full-step mode and vice-versa is always performed at an electrical position multiple of  $\pi/4$  (Figure 6 and Figure 7).

Full-step speed threshold is set through the related parameter in the FS\_SPD register (Section 9.1.9).

When the BOOST\_MODE bit of the FS\_SPD register is low (default), the amplitude of the voltage squarewave in Full-step mode is equal to the peak of the voltage sinewave multiplied by  $\sin(\pi/4)$  (Figure 6). This avoids the current drop between the two driving modes.

When the BOOST\_MODE bit of the FS\_SPD register is high, the amplitude of the voltage squarewave in Full-step mode is equal to the peak of the voltage sinewave (Figure 7). That improves the output current increasing the maximum motor torque.

**Figure 6. Automatic Full-step switching in Normal mode**

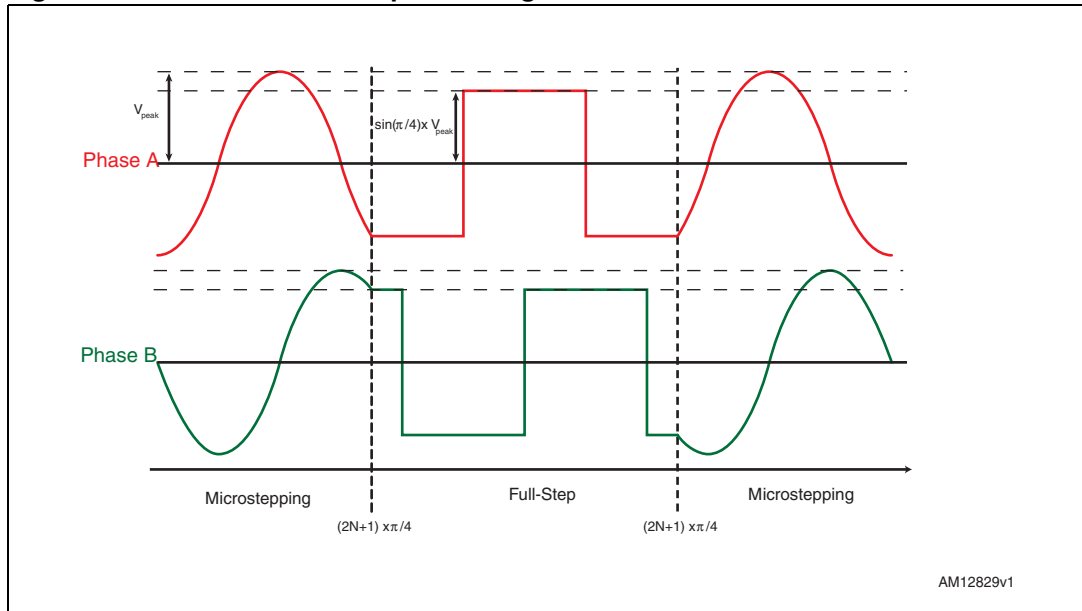
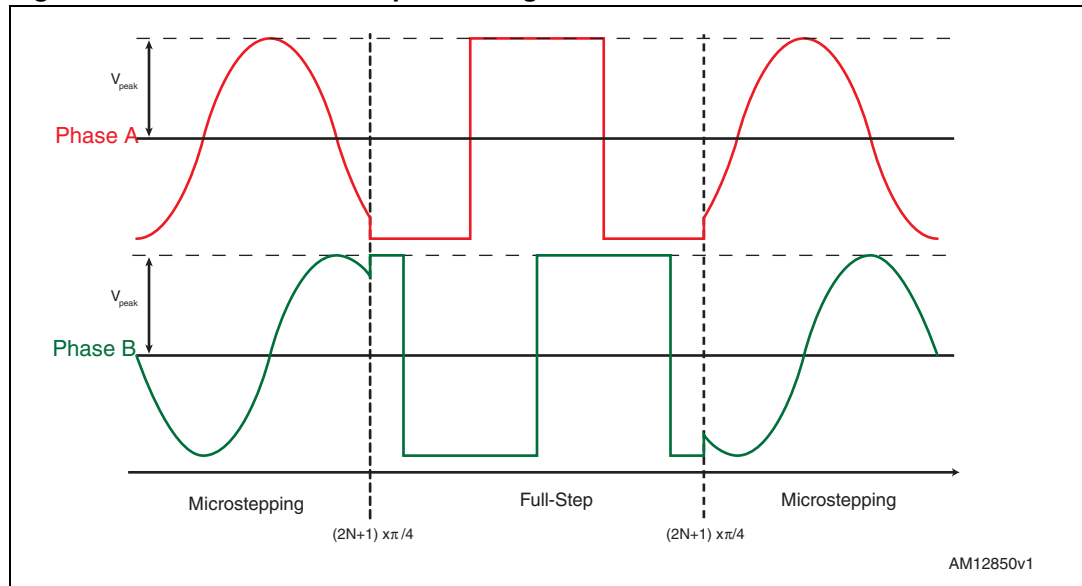


Figure 7. Automatic Full-step switching in Boost mode



## 6.5 Absolute position counter

An internal 22-bit register (ABS\_POS) records all the motor motions according to the selected step mode; the stored value unit is equal to the selected step mode (full, half, quarter, etc.). The position range is from  $-2^{21}$  to  $+2^{21}-1$  steps (see [Section 9.1.1](#)).

## 6.6 Programmable speed profiles

The user can easily program a customized speed profile defining independently acceleration, deceleration, maximum and minimum speed values by ACC, DEC, MAX\_SPEED and MIN\_SPEED registers respectively (see [Section 9.1.5](#), [9.1.6](#), [9.1.7](#) and [9.1.8](#)).

When a command is sent to the device, the integrated logic generates the microstep frequency profile that performs a motor motion compliant to speed profile boundaries.

All acceleration parameters are expressed in  $\text{step/tick}^2$  and all speed parameters are expressed in  $\text{step/tick}$ ; the unit of measurement does not depend on the selected step mode. Acceleration and deceleration parameters range from  $2^{-40}$  to  $(2^{12}-2) \cdot 2^{-40}$   $\text{step/tick}^2$  (equivalent to 14.55 to 59590  $\text{step/s}^2$ ).

Minimum speed parameter ranges from 0 to  $(2^{12}-1) \cdot 2^{-24}$   $\text{step/tick}$  (equivalent to 0 to 976.3  $\text{step/s}$ ).

Maximum speed parameter ranges from  $2^{-18}$  to  $(2^{10}-1) \cdot 2^{-18}$   $\text{step/tick}$  (equivalent to 15.25 to 15610  $\text{step/s}$ ).

## 6.7 Motor control commands

The L6480 can accept different types of commands:

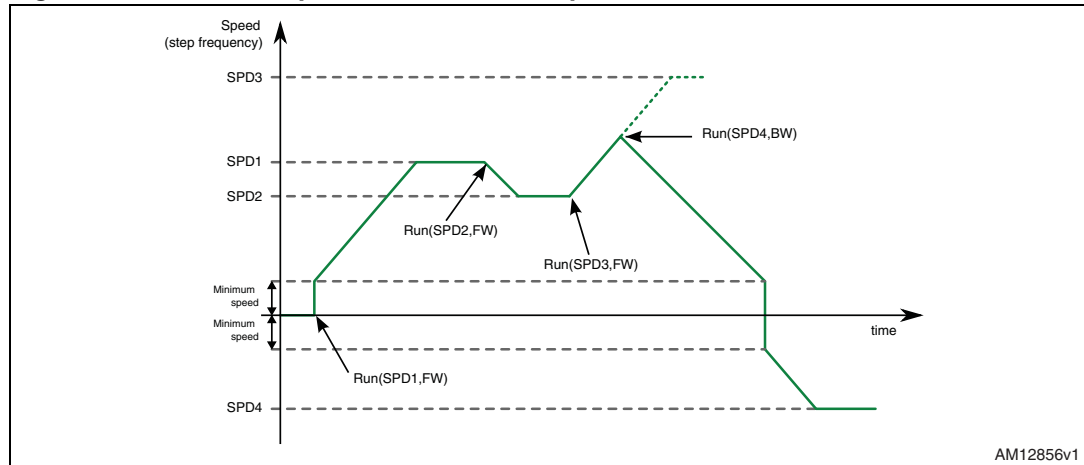
- constant speed commands (Run, GoUntil, ReleaseSW)
- absolute positioning commands (GoTo, GoTo\_DIR, GoHome, GoMark)
- motion commands (Move)
- stop commands (SoftStop, HardStop, SoftHiz, HardHiz).

For detailed command descriptions refer to [Section 9.2](#).

### 6.7.1 Constant speed commands

A constant speed command produces a motion in order to reach and maintain a user-defined target speed starting from the programmed minimum speed (set in the MIN\_SPEED register) and with the programmed acceleration/deceleration value (set in the ACC and DEC registers). A new constant speed command can be requested anytime.

**Figure 8. Constant speed command examples**



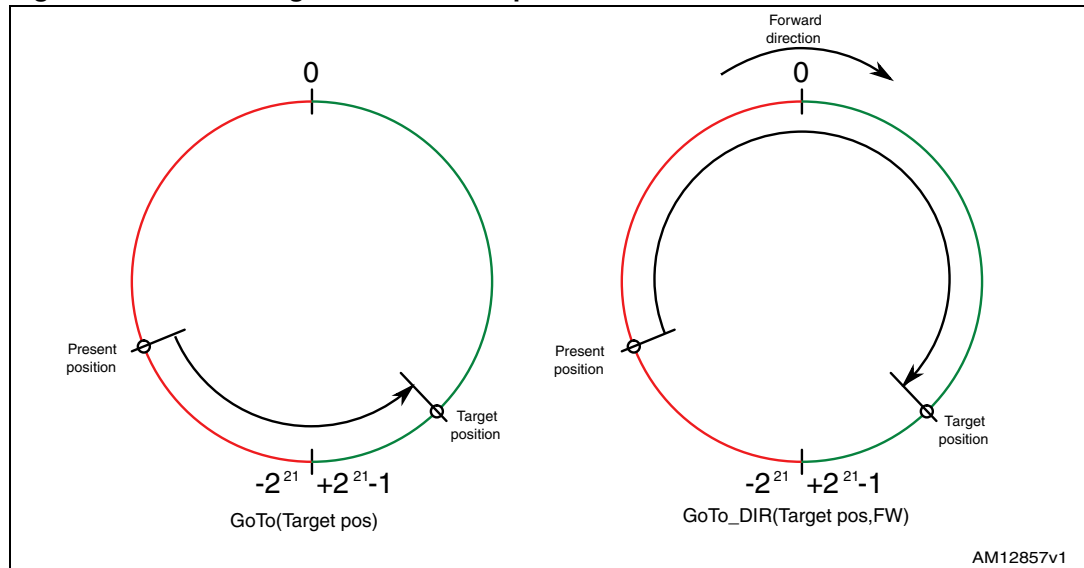
### 6.7.2 Positioning commands

An absolute positioning command produces a motion in order to reach a user-defined position that is sent to the device together with the command. The position can be reached performing the minimum path (minimum physical distance) or forcing a direction (see [Figure 9](#)).

Performed motor motion is compliant to programmed speed profile boundaries (acceleration, deceleration, minimum and maximum speed).

Note that with some speed profiles or positioning commands, the deceleration phase can start before the maximum speed is reached.

Figure 9. Positioning command examples



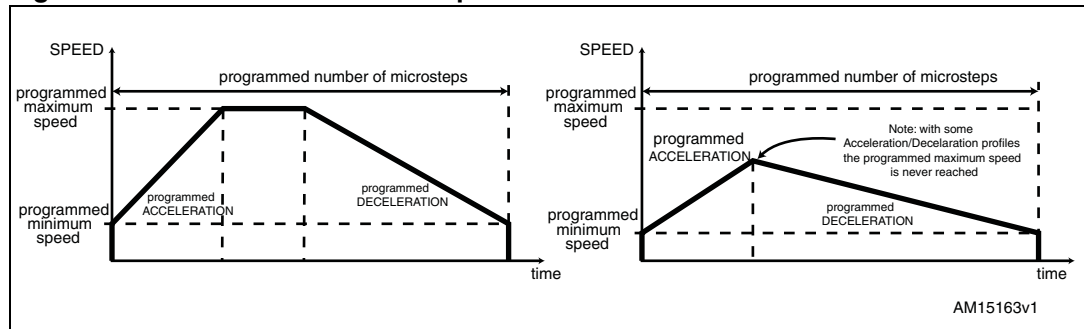
### 6.7.3 Motion commands

Motion commands produce a motion in order to perform a user-defined number of microsteps in a user-defined direction that are sent to the device together with the command (see [Figure 10](#)).

Performed motor motion is compliant to programmed speed profile boundaries (acceleration, deceleration, minimum and maximum speed).

Note that with some speed profiles or motion commands, the deceleration phase can start before the maximum speed is reached.

Figure 10. Motion command examples



### 6.7.4 Stop commands

A stop command forces the motor to stop. Stop commands can be sent anytime.

The SoftStop command causes the motor to decelerate with a programmed deceleration value until MIN\_SPEED value is reached and then stops the motor keeping the rotor position (a holding torque is applied).

The HardStop command stops the motor instantly, ignoring deceleration constraints and keeping the rotor position (a holding torque is applied).



The SoftHiZ command causes the motor to decelerate with a programmed deceleration value until the MIN\_SPEED value is reached and then forces the bridges into high impedance state (no holding torque is present).

The HardHiZ command instantly forces the bridges into high impedance state (no holding torque is present).

### 6.7.5 Step-clock mode

In Step-clock mode the motor motion is defined by the step-clock signal applied to the STCK pin. At each step-clock rising edge, the motor is moved one microstep in the programmed direction and absolute position is consequently updated.

When the system is in Step-clock mode the SCK\_MOD flag in the STATUS register is raised, the SPEED register is set to zero and motor status is considered stopped regardless of the STCK signal frequency (the MOT\_STATUS parameter in the STATUS register equal to "00").

### 6.7.6 GoUntil and ReleaseSW commands

In most applications the power-up position of the stepper motor is undefined, so an initialization algorithm driving the motor to a known position is necessary.

The GoUntil and ReleaseSW commands<sup>47</sup>

can be used in combination with external switch input (see [Section 6.14](#)) to easily initialize the motor position.

The GoUntil command makes the motor run at target constant speed until the SW input is forced low (falling edge). When this event occurs, one of the following actions can be performed:

- ABS\_POS register is set to zero (home position) and the motor decelerates to zero speed (as a SoftStop command)
- ABS\_POS register value is stored in the MARK register and the motor decelerates to zero speed (as a SoftStop command).

If the SW\_MODE bit of the CONFIG register is set to '0', the motor does not decelerate but it immediately stops (as a HardStop command).

The ReleaseSW command makes the motor run at a programmed minimum speed until the SW input is forced high (rising edge). When this event occurs, one of the following actions can be performed:

- ABS\_POS register is set to zero (home position) and the motor immediately stops (as a HardStop command)
- ABS\_POS register value is stored in the MARK register and the motor immediately stops (as a HardStop command).

If the programmed minimum speed is less than 5 step/s, the motor is driven at 5 step/s.

## 6.8 Internal oscillator and oscillator driver

The control logic clock can be supplied by the internal 16-MHz oscillator, an external oscillator (crystal or ceramic resonator) or a direct clock signal.

These working modes can be selected by EXT\_CLK and OSC\_SEL parameters in the CONFIG register (see [Table 32](#)).

At power-up the device starts using the internal oscillator and provides a 2-MHz clock signal on the OSCOUT pin.

---

**Attention:** In any case, before changing clock source configuration, a hardware reset is mandatory. Switching to different clock configurations during operation may cause unexpected behavior.

---

### 6.8.1 Internal oscillator

In this mode the internal oscillator is activated and OSCIN is unused. If the OSCOUT clock source is enabled, the OSCOUT pin provides a 2, 4, 8 or 16-MHz clock signal (according to OSC\_SEL value); otherwise it is unused (see [Figure 11](#)).

### 6.8.2 External clock source

Two types of external clock source can be selected: crystal/ceramic resonator or direct clock source. Four programmable clock frequencies are available for each external clock source: 8, 16, 24 and 32-MHz.

When an external crystal/resonator is selected, the OSCIN and OSCOUT pins are used to drive the crystal/resonator (see [Figure 11](#)). The crystal/resonator and load capacitors ( $C_L$ ) must be placed as close as possible to the pins. Refer to [Table 8](#) for the choice of the load capacitor value according to the external oscillator frequency.

**Table 8. CL values according to external oscillator frequency**

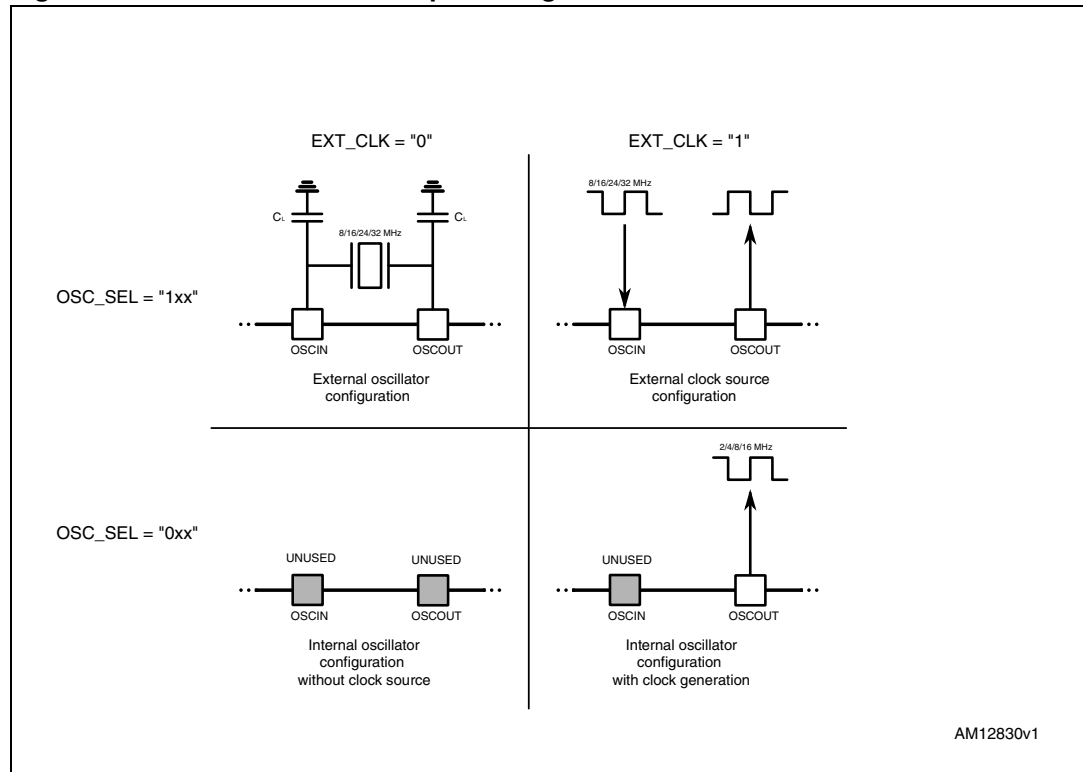
Crystal/resonator freq. <sup>(1)</sup>	$C_L$ <sup>(2)</sup>
8 MHz	25 pF (ESR <sub>max</sub> = 80 Ω)
16 MHz	18 pF (ESR <sub>max</sub> = 50 Ω)
24 MHz	15 pF (ESR <sub>max</sub> = 40 Ω)
32 MHz	10 pF (ESR <sub>max</sub> = 40 Ω)

1. First harmonic resonance frequency.
2. Lower ESR value allows driving greater load capacitors.

If a direct clock source is used, it must be connected to the OSCIN pin and the OSCOUT pin supplies the inverted OSCIN signal (see [Figure 11](#)).

The L6480 integrates a clock detection system that resets the device in case of the failure of the external clock source (direct or crystal/resonator). The monitoring of the clock source is disabled by default, it can be enabled setting high the WD\_EN bit in the GATECFG1 register ([Section 9.1.21](#)). When the external clock source is selected, the device continues to work with the integrated oscillator for  $t_{extosc}$  milliseconds and then the clock management system switches to the OSCIN input.

Figure 11. OSCIN and OSCOUT pin configuration



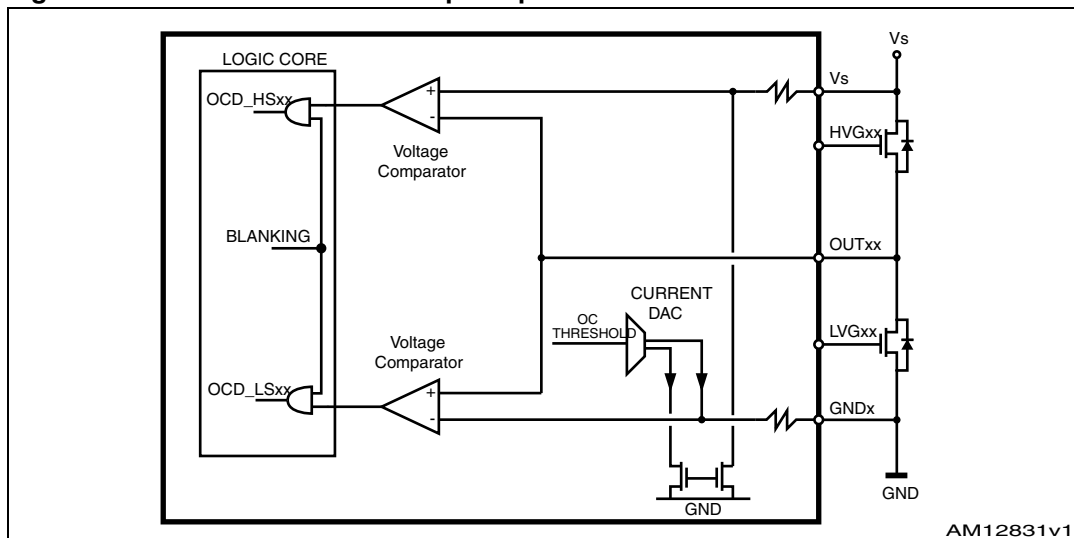
**Note:** When OSCIN is UNUSED, it should be left floating.  
When OSCOUT is UNUSED it should be left floating.

## 6.9 Overcurrent detection

The L6480 measures the load current of each half-bridge sensing the  $V_{DS}$  voltage of all the Power MOSFETs (Figure 12). When any of the  $V_{DS}$  voltages rise over the programmed threshold, the OCD flag in the STATUS register is forced low until the event expires and a GetStatus command is sent to the device (Section 9.1.24 and Section 9.2.20). The overcurrent event expires when all the Power MOSFET  $V_{DS}$  voltages fall below the programmed threshold.

The overcurrent threshold can be programmed by the OCD\_TH register in one of 32 available values ranging from 31.25 mV to 1 V with steps of 31.25 mV (Table 18 Section 9.1.17).

Figure 12. Overcurrent detection-principle scheme



The overcurrent detection comparators are disabled, in order to avoid wrong voltage measurements, in the following cases:

- The respective half-bridge is in high impedance state (both gates forced off)
- The respective half-bridge is commutating
- The respective half-bridge is commutated and the programmed blanking time has not yet elapsed
- The respective gate is turned off.

It is possible to set if an overcurrent event causes the bridge turn-off or not through the OC\_SD bit in the CONFIG register.

When the power bridges are turned off by an overcurrent event, they cannot be turned on until the OCD flag is released by a GetStatus command.

## 6.10 Undervoltage lockout (UVLO)

The L6480 provides a programmable gate driver supply voltage UVLO protection. When one of the supply voltages of the gate driver ( $V_{CC}$  for the low sides and  $V_{BOOT} - V_S$  for the high sides) falls below the respective turn-off threshold, an undervoltage event occurs. In this case, all gates are immediately turned off and the UVLO flag in the STATUS register is forced low.

The UVLO flag is forced low and the gates are kept off until the gate driver supply voltages return to above the respective turn-on threshold; in this case the undervoltage event expires and the UVLO flag can be released through a GetStatus command.

The UVLO thresholds can be selected between two sets according to the UVLOVAL bit value in the CONFIG register.

**Table 9. UVLO thresholds**

	UVLOVAL	
	0	1
Low-side gate driver supply turn-off threshold ( $V_{CCthOff}$ )	6.3 V	10 V
Low-side gate driver supply turn-on threshold ( $V_{CCthOn}$ )	6.9 V	10.4 V
High-side gate driver supply turn-off threshold ( $\Delta V_{BOOTthOff}$ )	5.5 V	8.8 V
High-side gate driver supply turn-on threshold ( $\Delta V_{BOOTthOn}$ )	6 V	9.2 V

## 6.11 VS undervoltage lockout (UVLO\_ADC)

The device provides an undervoltage signal of the integrated ADC input voltage (the UVLO\_ADC flag in the STATUS register). When  $V_{ADCIN}$  falls below the  $V_{ADC,UVLO}$  value the UVLO\_ADC flag is forced low and it is kept in this state until the ADCIN voltage is greater than  $V_{ADC,UVLO}$  and a GetStatus command is sent to the device.

The ADCIN undervoltage event doesn't turn off the gates of the power bridges.

The motor supply voltage undervoltage detection can be performed by means of this feature, connecting the ADCIN pin to VS through a voltage divider as described in [Section 7.5](#).

## 6.12 Thermal warning and thermal shutdown

An integrated sensor allows detection of the internal temperature and implementation of a 3-level protection.

When the  $T_{j(WRN)Set}$  threshold is reached, a warning signal is generated. This is the thermal warning condition and it expires when the temperature falls below the  $T_{j(WRN)Rel}$  threshold.

When the  $T_{j(OFF)Set}$  threshold is reached, all the gates are turned off and the gate driving circuitry is disabled (Miller clamps are still operative). This condition expires when the temperature falls below the  $T_{j(OFF)Rel}$  threshold.

When the  $T_{j(SD)OFF}$  threshold is reached, all the gates are turned off using Miller clamps, the internal  $V_{CC}$  voltage regulator is disabled and the current capability of the internal  $V_{REG}$  voltage regulator is reduced (thermal shutdown). In this condition logic is still active (if supplied). The thermal shutdown condition only expires when the temperature goes below  $T_{j(SD)ON}$ .

The thermal condition of the device is shown by TH\_STATUS bits in the STATUS register ([Table 10](#)).

Table 10. Thermal protection summarizing table

State	Set condition	Release condition	Description	TH_STATUS
Normal			Normal operation state	00
Warning	$T_j > T_{j(WRN)Set}$	$T_j > T_{j(WRN)Rel}$	Temperature warning: operation is not limited	01
Bridge shutdown	$T_j > T_{j(OFF)Set}$	$T_j > T_{j(OFF)Rel}$	High temperature protection: the gates are turned off and the gate drivers are disabled	10
Device shutdown	$T_j > T_{j(SD)Set}$	$T_j > T_{j(SD)Rel}$	Overtemperature protection: the gates are turned off, the gate drivers are disabled, the internal $V_{CC}$ voltage regulator is disabled, the current capability of the internal $V_{REG}$ voltage regulator is limited, and the charge pump is disabled	11

### 6.13 Reset and standby

The device can be reset and put into Standby mode through the  $\overline{STBY/RESET}$  pin. When it is forced low, all the gates are turned off (High Z state), the charge pump is stopped, the SPI interface and control logic are disabled and the internal  $V_{REG}$  voltage regulator maximum output current is limited; as a result, the L6480 heavily reduces the power consumption. At the same time the register values are reset to their default and all the protection functions are disabled. The  $\overline{STBY/RESET}$  input must be forced low at least for  $t_{STBY,min}$  in order to ensure the complete switch to Standby mode.

On exiting Standby mode, as well as for IC power-up, a delay must be given before applying a new command to allow proper oscillator and charge pump startup. Actual delay could vary according to the values of the charge pump external components.

On exiting Standby mode all the gates are off and the HiZ flag is high.

The registers can be reset to the default values without putting the device into Standby mode through the ResetDevice command ([Section 9.2.14](#)).

### 6.14 External switch (SW pin)

The SW input is internally pulled up to  $V_{DD}$  and detects if the pin is open or connected to ground (see [Figure 13](#)).

The SW\_F bit of the STATUS register indicates if the switch is open ('0') or closed ('1') ([Section 9.1.24](#)); the bit value is refreshed at every system clock cycle (125 ns). The SW\_EVN flag of the STATUS register is raised when a switch turn-on event (SW input falling edge) is detected ([Section 9.1.24](#)). A GetStatus command releases the SW\_EVN flag ([Section 9.2.20](#)).

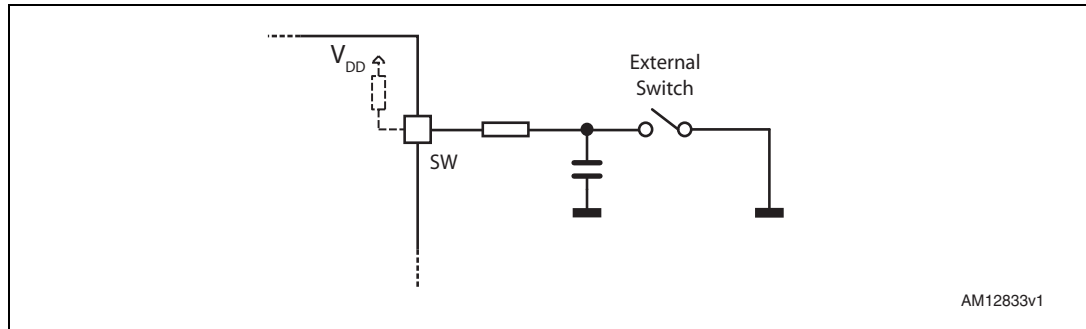
By default, a switch turn-on event causes a HardStop interrupt (SW\_MODE bit of CONFIG register set to '0'). Otherwise (SW\_MODE bit of CONFIG register set to '1'), switch input

events do not cause interrupts and the switch status information is at the user's disposal ([Table 32 Section 9.1.24](#)).

The switch input can be used by GoUntil and ReleaseSW commands as described in [Section 9.2.10](#) and [Section 9.2.11](#).

If the SW input is not used, it should be connected to  $V_{DD}$ .

**Figure 13. External switch connection**



## 6.15 Programmable gate drivers

The L6480 integrates eight programmable gate drivers that allow the fitting of a wide range of applications.

The following parameters can be adjusted:

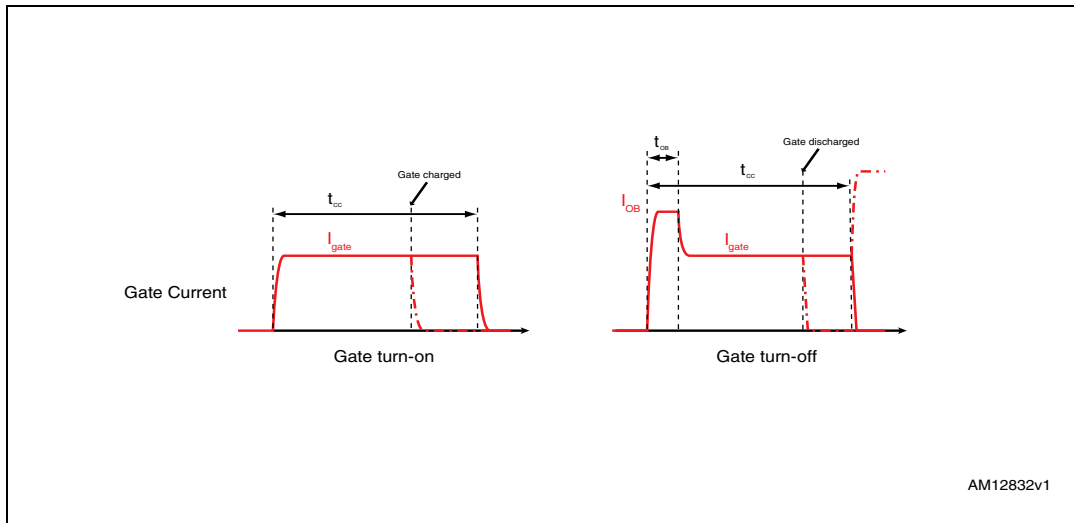
- gate sink/source current ( $I_{GATE}$ )
- controlled current time ( $t_{CC}$ )
- turn-off overboost time ( $t_{OB}$ ).

During turn-on, the gate driver charges the gate forcing an  $I_{GATE}$  current for all the controlled current time period. At the end of the controlled current phase the gate of the external MOSFET should be completely charged, otherwise the gate driving circuitry continues to charge it using a holding current.

This current is equal to  $I_{GATE}$  for the low-side gate drivers and 1 mA for the high-side ones.

During turn-off, the gate driver discharges the gate sinking an  $I_{GATE}$  current for all the controlled current time period. At the beginning of turn-off an overboost phase can be added: in this case the gate driver sinks an  $I_{OB}$  current for the programmed  $t_{OB}$  period in order to rapidly reach the plateau region. At the end of the controlled current time the gate of the external MOSFET should be completely charged, otherwise the gate driving circuitry discharges it using the integrated Miller clamp.

Figure 14. Gate driving currents



The gate current can be set to one of the following values: 4, 8, 16, 24, 32, 64 and 96 mA through the IGATE parameter in the GATECFG1 register (see [Section 9.1.21](#)).

Controlled current time can be programmed within range from 125 ns to 3.75 μs with a resolution of 125 ns (TCC parameter in GATECFG1 register) (see [Section 9.1.21](#)).

Turn-off overboost time can be set to one of the following values: 0, 62.5, 125, 250 ns (TBOOST parameter in GATECFG1 register). The 62.5 ns value is only available when clock frequency is 16 MHz or 32 MHz; when clock frequency is 8 MHz it is changed to 125 ns and when a 24-MHz clock is used it is changed to 83.3 ns. (see [Section 9.1.21](#)).

## 6.16 Deadtime and blanking time

During the bridge commutation, a deadtime is added in order to avoid cross conduction. The deadtime can be programmed within a range from 125 ns to 4 μs with a resolution of 125 ns (TDT parameter in the GATECFG2 register) (see [Section 9.1.22](#)).

At the end of each commutation the overcurrent and stall detection comparators are disabled (blanking) in order to avoid the respective systems detecting body diodes turn-off current peaks.

The duration of blanking time is programmable through the TBLANK parameter in the GATECFG2 register at one of the following values: 125, 250, 375, 500, 625, 750, 875, 1000 ns (see [Section 9.1.22](#)).

## 6.17 Integrated analog to digital converter

The L6480 integrates an N<sub>ADC</sub> bit ramp-compare analog to digital converter with a reference voltage equal to V<sub>REG</sub>. The analog to digital converter input is available through the ADCIN pin and the conversion result is available in the ADC\_OUT register ([Section 9.1.16](#)).

Sampling frequency is equal to the programmed PWM frequency.



The ADC\_OUT value can be used for motor supply voltage compensation or can be at the user's disposal.

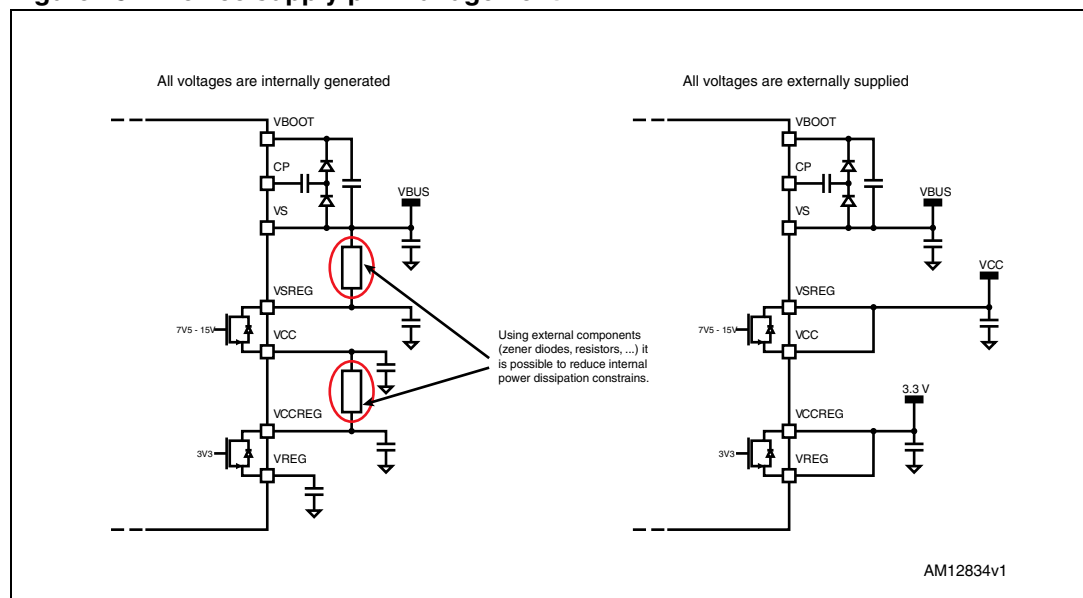
## 6.18 Supply management and internal voltage regulators

The L6480 integrates two linear voltage regulators: the first one can be used to obtain gate driver supply starting from a higher voltage (e.g. the motor supply one). Its output voltage can be set to 7.5 V or 15 V according to the VCCVAL bit value (CONFIG register). The second linear voltage regulator can be used to obtain the 3.3 V logic supply voltage.

The regulator is designed to supply the internal circuitry of the IC and should not be used to supply external components.

The input and output voltages of both regulators are connected to external pins and the regulators are totally independent: in this way a very flexible supply management can be performed using external components or external supply voltages (Figure 15).

**Figure 15. Device supply pin management**



If  $V_{CC}$  is externally supplied, the VSREG and VCC pins must be shorted ( $V_{SREG}$  must be compliant with  $V_{CC}$  range).

If  $V_{REG}$  is externally supplied, the VCCREG and VREG pins must be shorted and equal to 3.3 V.

$V_{SREG}$  must be always less than  $V_{BOOT}$  in order to avoid related ESD protection diode turn-on. The device can be protected from this event by adding an external low drop diode between the VSREG and VS pins, charge pump diodes should be low drop too.

$V_{CCREG}$  must be always less than  $V_{CC}$  in order to avoid ESD protection diode turn-on. The device can be protected from this event by adding an external low drop diode between the VCCREG and VSREG pins.

Both regulators provide a short circuit protection limiting the load current within the respective maximum ratings.

## 6.19 BUSY/SYNC pin

This pin is an open drain output which can be used as busy flag or synchronization signal according to the SYNC\_EN bit value (STEP\_MODE register) (see [Section 9.1.19](#)).

## 6.20 FLAG pin

By default, an internal open drain transistor pulls the  $\overline{\text{FLAG}}$  pin to ground when at least one of the following conditions occurs:

- Power-up or standby/reset exit
- Stall detection on bridge A
- Stall detection on bridge B
- Overcurrent detection
- Thermal warning
- Thermal shutdown
- UVLO
- UVLO on ADC input
- Switch turn-on event
- Command error.

It is possible to mask one or more alarm conditions by programming the ALARM\_EN register (see [Section 9.1.20 Table 23](#)). If the corresponding bit of the ALARM\_EN register is low, the alarm condition is masked and it does not cause a FLAG pin transition; all other actions imposed by alarm conditions are performed anyway. In case of daisy chain configuration, FLAG pins of different ICs can be or-wired to save host controller GPIOs.

## 7 Phase current control

The L6480 controls the phase current applying a sinusoidal voltage to motor windings. Phase current amplitude is not directly controlled but depends on phase voltage amplitude, load torque, motor electrical characteristics and rotation speed. Sinewave amplitude is proportional to the motor supply voltage multiplied by a coefficient ( $K_{VAL}$ ).  $K_{VAL}$  ranges from 0 to 100% and the sinewave amplitude can be obtained through the following formula:

### Equation 1

$$V_{OUT} = V_S \cdot K_{VAL}$$

Different  $K_{VAL}$  values can be programmed for acceleration, deceleration and constant speed phases and when the motor is stopped (HOLD phase) through  $KVAL\_ACC$ ,  $KVAL\_DEC$ ,  $KVAL\_RUN$  and  $KVAL\_HOLD$  registers ([Section 9.1.10](#)).  $KVAL$  value is calculated according to the following formula:

### Equation 2

$$K_{VAL} = [(K_{VAL\_X} + BEMF\_COMP) \times VSCOMP \times K\_THERM] \times \text{microstep}$$

where  $K_{VAL\_X}$  is the starting  $K_{VAL}$  value programmed for the present motion phase ( $KVAL\_ACC$ ,  $KVAL\_DEC$ ,  $KVAL\_RUN$  or  $KVAL\_HOLD$ ),  $BEMF\_COMP$  is the BEMF compensation curve value,  $VSCOMP$  and  $K\_THERM$  are the motor supply voltage and winding resistance compensation factors and  $\text{microstep}$  is the current microstep value (fraction of target peak current).

The L6480 offers various methods to guarantee a stable current value, allowing the compensation of:

- low speed distortion ([Section 7.3](#))
- back electromotive force ([Section 7.4](#))
- motor supply voltage variation ([Section 7.5](#))
- windings resistance variation ([Section 7.6](#)).

### 7.1 PWM sinewave generators

The two voltage sinewaves applied to the stepper motor phases are generated by two PWM modulators.

The PWM frequency ( $f_{PWM}$ ) is proportional to the oscillator frequency ( $f_{OSC}$ ) and can be obtained through the following formula:

### Equation 3

$$f_{PWM} = \frac{f_{OSC}}{512 \cdot N} \cdot m$$

'N' is the integer division factor and 'm' is the multiplication factor. 'N' and 'm' values can be programmed by F\_PWM\_INT and F\_PWM\_DEC parameters in the CONFIG register (see [Table 38](#) and [Table 39](#), [Section 9.1.23](#)).

Available PWM frequencies are listed in [Section 9.1.23](#) from [Table 40](#) to [Table 43](#).

## 7.2 Sensorless stall detection

The L6480 is able to detect a motor stall caused by an excessive load torque. When the motor is driven using the voltage mode approach, a stall condition corresponds to an unexpected increase of the phase current. Imposing a current threshold slightly above the operative current, it is possible to detect the stall condition without speed or position sensors.

The L6480 measures the load current of each phase sensing the  $V_{DS}$  voltage of the low-side Power MOSFETs. When any of the  $V_{DS}$  voltages rise over the programmed threshold, the STEP\_LOSS\_X flag in the STATUS register of the respective bridge (STEP\_LOSS\_A or STEP\_LOSS\_B) is forced low. The failure flag is kept low until the  $V_{DS}$  voltages fall below the programmed threshold and a GetStatus command is sent to the device ([Section 9.1.24](#) and [Section 9.2.20](#)).

The stall detection threshold can be programmed in one of 32 available values ranging from 31.25 mV to 1 V with steps of 31.25 mV (see [Section 9.1.18](#)).

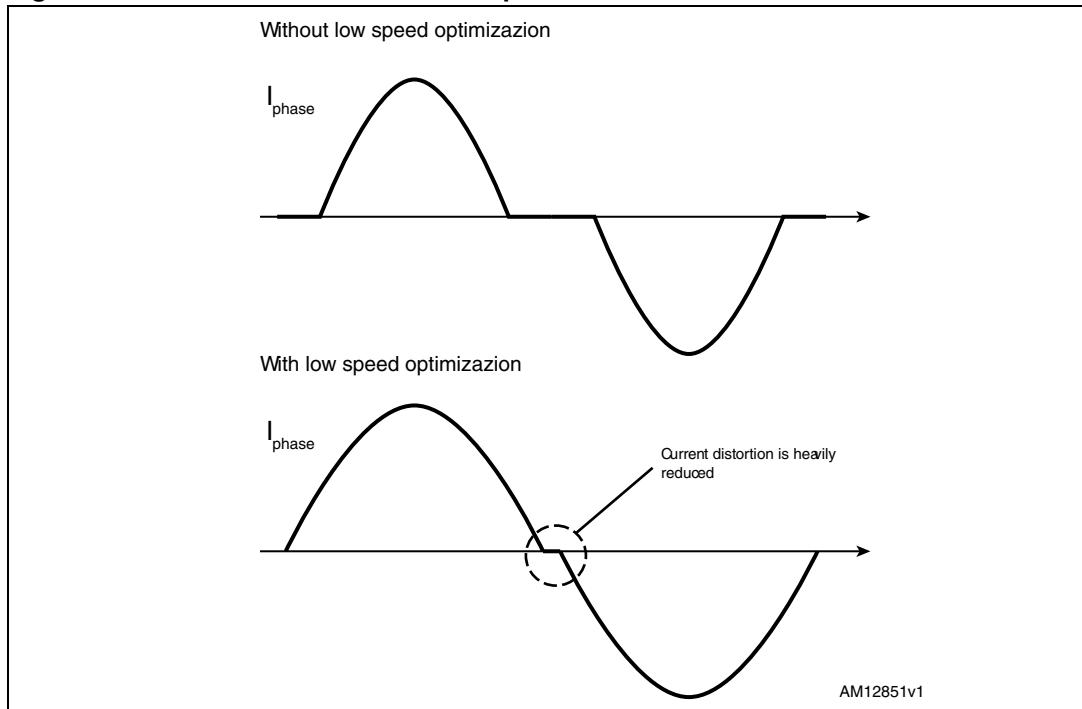
Stall detection comparators are disabled, in order to avoid wrong voltage measurements, in the following cases:

- The respective half-bridge is in high impedance state (both gates forced off)
- The respective half-bridge is commutating
- The respective half-bridge is commutated and the programmed blanking time has not yet elapsed
- The respective low-side gate is turned off.

## 7.3 Low speed optimization

When the motor is driven at a very low speed using a small driving voltage, the resulting phase current can be distorted. As a consequence, the motor position is different from the ideal one (see [Figure 16](#)).

The device implements a low speed optimization in order to remove this effect.

**Figure 16. Current distortion and compensation**

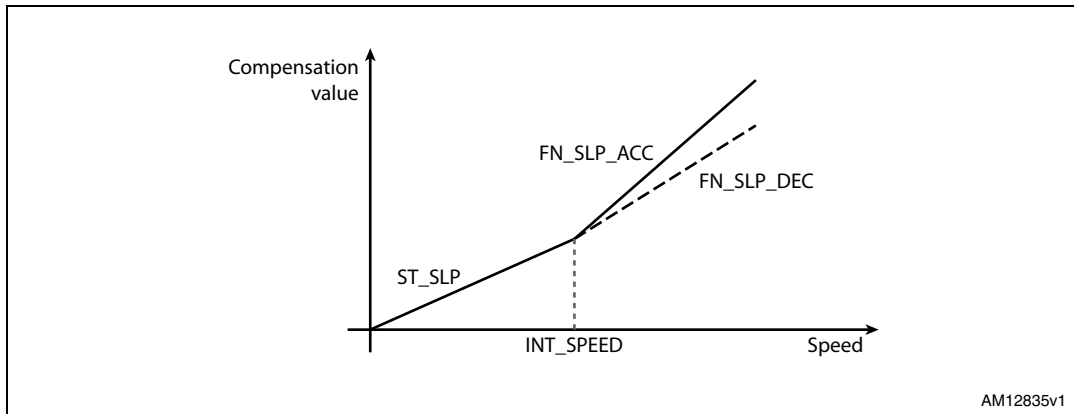
The optimization can be enabled setting high the LSPD\_OPT bit in the MIN\_SPEED register ([Section 9.1.8](#)) and is active in a speed range from zero to MIN\_SPEED. When low speed optimization is enabled, speed profile minimum speed is forced to zero.

## 7.4 BEMF compensation

Using the speed information, a compensation curve is added to the amplitude of the voltage waveform applied to the motor winding in order to compensate the BEMF variations during acceleration and deceleration (see [Figure 17](#)).

The compensation curve is approximated by a stacked line with a starting slope (ST\_SLP) when speed is lower than a programmable threshold speed (INT\_SPEED) and a fine slope (FN\_SLP\_ACC and FN\_SLP\_DEC) when speed is greater than the threshold speed (see sections [9.1.11](#), [9.1.12](#), [9.1.13](#) and [9.1.14](#)).

Figure 17. BEMF compensation curve



To obtain different current values during acceleration and deceleration phase, two different final slope values, and consequently two different compensation curves, can be programmed.

Acceleration compensation curve is applied when the motor runs. No BEMF compensation is applied when the motor is stopped.

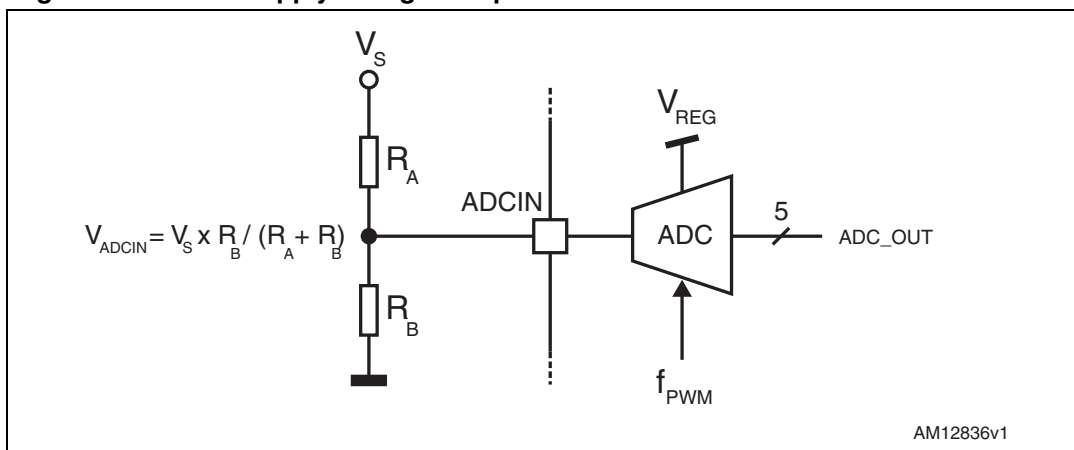
### 7.5 Motor supply voltage compensation

The sinewave amplitude generated by the PWM modulators is directly proportional to the motor supply voltage ( $V_S$ ). When the motor supply voltage is different from its nominal value, the motor phases are driven with an incorrect voltage. The L6480 can compensate motor supply voltage variations in order to avoid this effect.

The motor supply voltage should be connected to the integrated ADC input through a resistor divider in order to obtain  $V_{REG}/2$  voltage at the ADCIN pin when  $V_S$  is at its nominal value (see [Figure 18](#)).

The ADC input is sampled at  $f_S$  frequency, which is equal to PWM frequency.

Figure 18. Motor supply voltage compensation circuit



Motor supply voltage compensation can be enabled setting high the EN\_VSCOMP bit of the CONFIG register (see [Table 37](#), [Section 9.1.23](#)). If the EN\_VSCOMP bit is low, the compensation is disabled and the internal analog to digital converter is at the user's disposal; the sampling rate is always equal to PWM frequency.

## 7.6 Winding resistance thermal drift compensation

The higher the winding resistance the greater the voltage to be applied in order to obtain the same phase current.

The L6480 integrates a register (K\_THERM) which can be used to compensate phase resistance increment due to temperature rising.

The value in the K\_THERM register ([Section 9.1.15](#)) multiplies duty cycle value allowing the higher phase resistance value to be faced.

The compensation algorithm and the eventual motor temperature measurement should be implemented by microcontroller firmware.

## 8 Serial interface

The integrated 8-bit serial peripheral interface (SPI) is used for a synchronous serial communication between the host microprocessor (always master) and the L6480 (always slave).

The SPI uses chip select ( $\overline{CS}$ ), serial clock (CK), serial data input (SDI) and serial data output (SDO) pins. When  $\overline{CS}$  is high the device is unselected and the SDO line is inactive (high impedance).

The communication starts when  $\overline{CS}$  is forced low. The CK line is used for synchronization of data communication.

All commands and data bytes are shifted into the device through the SDI input, most significant bit first. The SDI is sampled on the rising edges of the CK.

All output data bytes are shifted out of the device through the SDO output, most significant bit first. The SDO is latched on the falling edges of the CK. When a return value from the device is not available, an all zero byte is sent.

After each byte transmission the  $\overline{CS}$  input must be raised and be kept high for at least  $t_{disCS}$  in order to allow the device to decode the received command and put the return value into the shift register.

All timing requirements are shown in *Figure 19* (see *Section 3* for values).

Multiple devices can be connected in daisy chain configuration, as shown in *Figure 20*.

**Figure 19. SPI timings diagram**

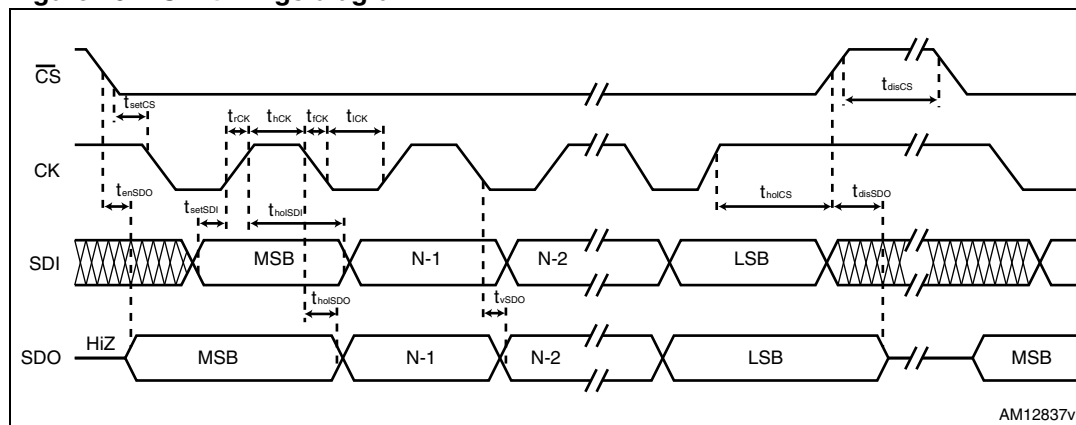
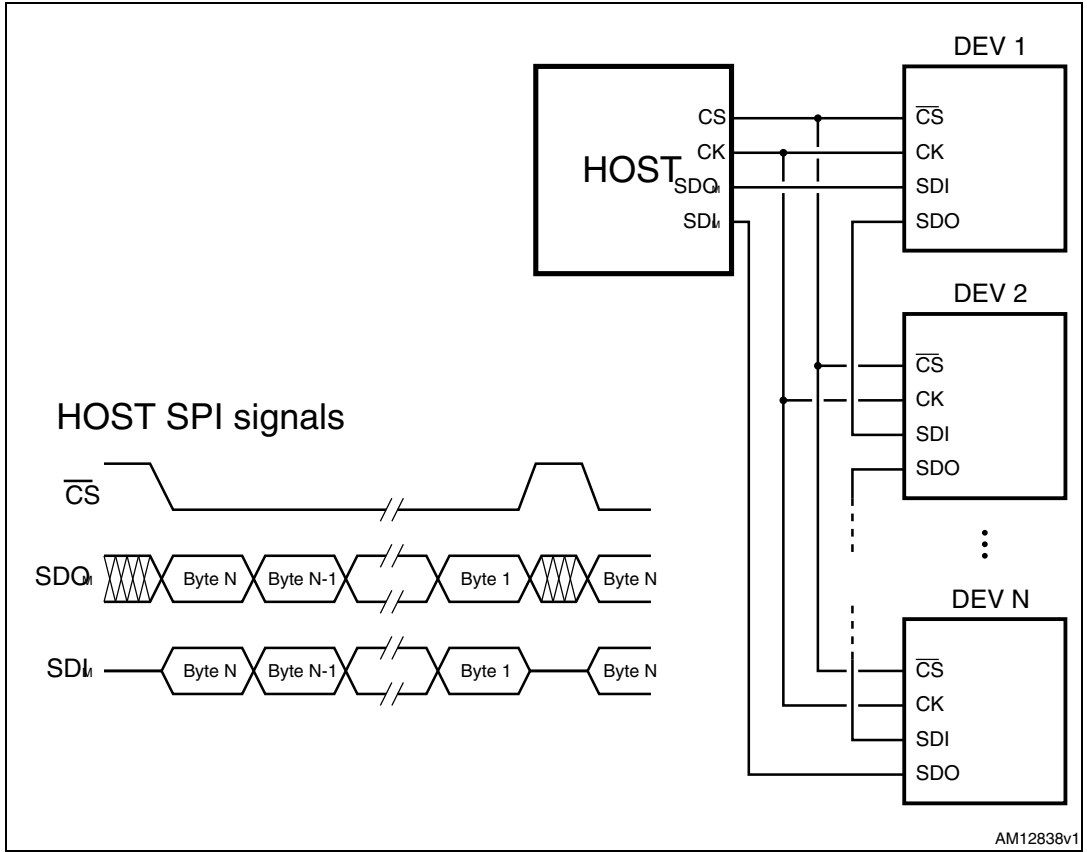




Figure 20. Daisy chain configuration



## 9 Programming manual

### 9.1 Register and flag description

The following shows the user registers available (detailed description in respective paragraphs):

**Table 11. Register map**

Address [Hex]	Register name	Register function	Len. [bit]	Reset Hex	Reset Value	Remarks (1)
h01	ABS_POS	Current position	22	000000	0	R, WS
h02	EL_POS	Electrical position	9	000	0	R, WS
h03	MARK	Mark position	22	000000	0	R, WR
h04	SPEED	Current speed	20	00000	0 step/tick (0 step/s)	R
h05	ACC	Acceleration	12	08A	$125.5e-12 \text{ step/tick}^2$ (2008 step/s <sup>2</sup> )	R, WS
h06	DEC	Deceleration	12	08A	$125.5e-12 \text{ step/tick}^2$ (2008 step/s <sup>2</sup> )	R, WS
h07	MAX_SPEED	Maximum speed	10	041	$248e-6 \text{ step/tick}$ (991.8 step/s)	R, WR
h08	MIN_SPEED	Minimum speed	12	000	0 step/tick (0 step/s)	R, WS
h15	FS_SPD	Full-step speed	10	027	$150.7e-6 \text{ step/tick}$ (602.7 step/s)	R, WR
h09	KVAL_HOLD	Holding $K_{VAL}$	8	29	$0.16 \cdot V_S$	R, WR
h0A	KVAL_RUN	Constant speed $K_{VAL}$	8	29	$0.16 \cdot V_S$	R, WR
h0B	KVAL_ACC	Acceleration starting $K_{VAL}$	8	29	$0.16 \cdot V_S$	R, WR
h0C	KVAL_DEC	Deceleration starting $K_{VAL}$	8	29	$0.16 \cdot V_S$	R, WR
h0D	INT_SPEED	Intersect speed	14	0408	$15.4e-6 \text{ step/tick}$ (61.5 step/s)	R, WH
h0E	ST_SLP	Start slope	8	19	250.038% s/step	R, WH
h0F	FN_SLP_ACC	Acceleration final slope	8	29	0.063% s/step 25	R, WH
h10	FN_SLP_DEC	Deceleration final slope	8	29	0.063% s/step 25	R, WH
h11	K_THERM	Thermal compensation factor	4	0	1.0	R, WR
h12	ADC_OUT	ADC output	5	XX <sup>(2)</sup>	0	R
h13	OCD_TH	OCD threshold	5	8	281.25 mV	R, WR
h14	STALL_TH	STALL threshold	5	10	531.25 mV	R, WR
h16	STEP_MODE	Step mode	4	7	BUSY/SYNC output used as BUSY, 128 $\mu$ steps	R, WH
h17	ALARM_EN	Alarms enables	8	FF	All alarms enabled	R, WS

Table 11. Register map (continued)

Address [Hex]	Register name	Register function	Len. [bit]	Reset Hex	Reset Value	Remarks (1)
h18	GATECFG1	Gate driver configuration	11	0	$I_{gate} = 4 \text{ mA}$ , $t_{CC} = 125 \text{ ns}$ , no boost	R, WH
h19	GATECFG2	Gate driver configuration	8	0	$t_{BLANK} = 125 \text{ ns}$ , $t_{DT} = 125 \text{ ns}$	R, WH
h1A	CONFIG	IC configuration	16	2C88	Internal 16 MHz oscillator (OSCOUT@2 MHz), SW event causes HardStop, motor supply voltage compensation disabled, overcurrent shutdown, $V_{CC} = 7.5 \text{ V}$ , UVLO threshold low, $f_{PWM} = f_{OSC} / 1024$	R, WH
h1B	STATUS	Status	16	XXXX <sup>(2)</sup>	High impedance state, motor stopped, reverse direction, all fault flags released UVLO/Reset flag set	R

1. R: readable, WH: writable, only when outputs are in high impedance, WS: writable only when motor is stopped, WR: always writable.
2. According to startup conditions.

### 9.1.1 ABS\_POS

The ABS\_POS register contains the current motor absolute position in agreement with the selected step mode; the stored value unit is equal to the selected step mode (full, half, quarter, etc.). The value is in 2's complement format and it ranges from  $-2^{21}$  to  $+2^{21}-1$ .

At power-on the register is initialized to "0" (HOME position).

Any attempt to write the register when the motor is running causes the command to be ignored and the NOTPERF\_CMD flag to rise ([Section 9.1.24](#)).

### 9.1.2 EL\_POS

The EL\_POS register contains the current electrical position of the motor. The two MSbits indicate the current step and the other bits indicate the current microstep (expressed in step/128) within the step.

Table 12. EL\_POS register

Bit 8	Bit 7	Bit 6	Bit 5	Bit 4	Bit 3	Bit 2	Bit 1	Bit 0
STEP		MICROSTEP						

When the EL\_POS register is written by the user the new electrical position is instantly imposed. When the EL\_POS register is written, its value must be masked in order to match

with the step mode selected in the STEP\_MODE register in order to avoid a wrong microstep value generation ([Section 9.1.19](#)); otherwise the resulting microstep sequence is incorrect.

Any attempt to write the register when the motor is running causes the command to be ignored and the NOTPERF\_CMD flag to rise ([Section 9.1.24](#)).

### 9.1.3 MARK

The MARK register contains an absolute position called MARK, according to the selected step mode; the stored value unit is equal to the selected step mode (full, half, quarter, etc.). It is in 2's complement format and it ranges from  $-2^{21}$  to  $+2^{21}-1$ .

### 9.1.4 SPEED

The SPEED register contains the current motor speed, expressed in step/tick (format unsigned fixed point 0.28).

In order to convert the SPEED value in step/s the following formula can be used:

#### Equation 4

$$[\text{step/s}] = \frac{\text{SPEED} \cdot 2^{-28}}{\text{tick}}$$

where SPEED is the integer number stored in the register and tick is 250 ns.

The available range is from 0 to 15625 step/s with a resolution of 0.015 step/s.

*Note:* The range effectively available to the user is limited by the MAX\_SPEED parameter.

Any attempt to write the register causes the command to be ignored and the NOTPERF\_CMD flag to rise ([Section 9.1.24](#)).

### 9.1.5 ACC

The ACC register contains the speed profile acceleration expressed in step/tick<sup>2</sup> (format unsigned fixed point 0.40).

In order to convert the ACC value in step/s<sup>2</sup> the following formula can be used:

#### Equation 5

$$[\text{step/s}^2] = \frac{\text{ACC} \cdot 2^{-40}}{\text{tick}^2}$$

where ACC is the integer number stored in the register and tick is 250 ns.

The available range is from 14.55 to 59590 step/s<sup>2</sup> with a resolution of 14.55 step/s<sup>2</sup>.

When the ACC value is set to 0xFFFF, the device works in infinite acceleration mode.

Any attempt to write to the register when the motor is running causes the command to be ignored and the NOTPERF\_CMD flag to rise ([Section 9.1.24](#)).

### 9.1.6 DEC

The DEC register contains the speed profile deceleration expressed in step/tick<sup>2</sup> (format unsigned fixed point 0.40).

In order to convert the DEC value in step/s<sup>2</sup> the following formula can be used:

#### Equation 6

$$[\text{step/s}^2] = \frac{\text{DEC} \cdot 2^{-40}}{\text{tick}^2}$$

where DEC is the integer number stored in the register and tick is 250 ns.

The available range is from 14.55 to 59590 step/s<sup>2</sup> with a resolution of 14.55 step/s<sup>2</sup>.

When the device is working in infinite acceleration mode this value is ignored.

Any attempt to write the register when the motor is running causes the command to be ignored and the NOTPERF\_CMD flag to rise ([Section 9.1.24](#)).

### 9.1.7 MAX\_SPEED

The MAX\_SPEED register contains the speed profile maximum speed expressed in step/tick (format unsigned fixed point 0.18).

In order to convert it in step/s, the following formula can be used:

#### Equation 7

$$[\text{step/s}] = \frac{\text{MAX\_SPEED} \cdot 2^{-18}}{\text{tick}}$$

where MAX\_SPEED is the integer number stored in the register and tick is 250 ns.

The available range is from 15.25 to 15610 step/s with a resolution of 15.25 step/s.

### 9.1.8 MIN\_SPEED

The MIN\_SPEED register contains the following parameters:

**Table 13. MIN\_SPEED register**

Bit 12	Bit 11	Bit 10	Bit 9	Bit 8	Bit 7	Bit 6	Bit 5	Bit 4	Bit 3	Bit 2	Bit 1	Bit 0
LSPD_OPT	MIN_SPEED											

The MIN\_SPEED parameter contains the speed profile minimum speed. Its value is expressed in step/tick and to convert it in step/s the following formula can be used:

#### Equation 8

$$[\text{step/s}] = \frac{\text{MIN\_SPEED} \cdot 2^{-24}}{\text{tick}}$$

where MIN\_SPEED is the integer number stored in the register and tick is the ramp 250 ns.

The available range is from 0 to 976.3 step/s with a resolution of 0.238 step/s.

When the LSPD\_OPT bit is set high, low speed optimization feature is enabled and the MIN\_SPEED value indicates the speed threshold below which the compensation works. In this case the minimum speed of the speed profile is set to zero.

Any attempt to write the register when the motor is running causes the NOTPERF\_CMD flag to rise.

### 9.1.9 FS\_SPD

The FS\_SPD register contains the following parameters:

**Table 14. FS\_SPD register**

Bit 11	Bit 10	Bit 9	Bit 8	Bit 7	Bit 6	Bit 5	Bit 4	Bit 3	Bit 2	Bit 1	Bit 0
BOOST_MODE	FS_SPD										

The FS\_SPD threshold speed value over which the step mode is automatically switched to full-step two-phase on. Its value is expressed in step/tick (format unsigned fixed point 0.18) and to convert it in step/s the following formula can be used:

**Equation 9**

$$[\text{step/s}] = \frac{(\text{FS\_SPD} + 0.5) \cdot 2^{-18}}{\text{tick}}$$

If FS\_SPD value is set to hFF (max.) the system always works in Microstepping mode (SPEED must go over the threshold to switch to Full-step mode). Setting FS\_SPD to zero does not have the same effect as setting the step mode to full-step two-phase on: the zero FS\_SPD value is equivalent to a speed threshold of about 7.63 step/s.

The available range is from 7.63 to 15625 step/s with a resolution of 15.25 step/s.

The BOOST\_MODE bit sets the amplitude of the voltage squarewave during the full-step operation (see [Section 6.4.1](#)).

### 9.1.10 KVAL\_HOLD, KVAL\_RUN, KVAL\_ACC and KVAL\_DEC

The KVAL\_HOLD register contains the  $K_{VAL}$  value that is assigned to the PWM modulators when the motor is stopped (compensations excluded).

The KVAL\_RUN register contains the  $K_{VAL}$  value that is assigned to the PWM modulators when the motor is running at constant speed (compensations excluded).

The KVAL\_ACC register contains the starting  $K_{VAL}$  value that can be assigned to the PWM modulators during acceleration (compensations excluded).

The KVAL\_DEC register contains the starting  $K_{VAL}$  value that can be assigned to the PWM modulators during deceleration (compensations excluded).

The available range is from 0 to  $0.996 \times V_S$  with a resolution of  $0.004 \times V_S$ , as shown in [Table 15](#).

**Table 15. Voltage amplitude regulation registers**

KVAL_X [7..0]								Output voltage
0	0	0	0	0	0	0	0	0
0	0	0	0	0	0	0	1	$V_S \times (1/256)$
⋮	⋮	⋮	⋮	⋮	⋮	⋮	⋮	⋮
1	1	1	1	1	1	1	0	$V_S \times (254/256)$
1	1	1	1	1	1	1	1	$V_S \times (255/256)$

### 9.1.11 INT\_SPEED

The INT\_SPEED register contains the speed value at which the BEMF compensation curve changes slope ([Section 7.4](#) for details). Its value is expressed in step/tick and to convert it in [step/s] the following formula can be used:

#### Equation 10

$$[\text{step/s}] = \frac{\text{INT\_SPEED} \cdot 2^{-18}}{\text{tick}}$$

where INT\_SPEED is the integer number stored in the register and tick is 250 ns.

The available range is from 0 to 976.5 step/s with a resolution of 0.0596 step/s.

Any attempt to write the register when the motor is running causes the command to be ignored and the NOTPERF\_CMD flag to rise ([Section 9.1.24](#)).

### 9.1.12 ST\_SLP

The ST\_SLP register contains the BEMF compensation curve slope that is used when the speed is lower than the intersect speed ([Section 7.4](#)). Its value is expressed in s/step and the available range is from 0 to 0.004 with a resolution of 0.000015.

When ST\_SLP, FN\_SLP\_ACC and FN\_SLP\_DEC parameters are set to zero, no BEMF compensation is performed.

Any attempt to write the register when the motor is running causes the command to be ignored and the NOTPERF\_CMD flag to rise ([Section 9.1.24](#)).

### 9.1.13 FN\_SLP\_ACC

The FN\_SLP\_ACC register contains the BEMF compensation curve slope that is used when the speed is greater than the intersect speed during acceleration ([Section 7.4](#) for details). Its value is expressed in s/step and the available range is from 0 to 0.004 with a resolution of 0.000015.

When ST\_SLP, FN\_SLP\_ACC and FN\_SLP\_DEC parameters are set to zero, no BEMF compensation is performed.

Any attempt to write the register when the motor is running causes the command to be ignored and the NOTPERF\_CMD flag to rise ([Section 9.1.24](#)).

### 9.1.14 FN\_SLP\_DEC

The FN\_SLP\_DEC register contains the BEMF compensation curve slope that is used when the speed is greater than the intersect speed during deceleration ([Section 7.4](#) for details). Its value is expressed in s/step and the available range is from 0 to 0.004 with a resolution of 0.000015.

When ST\_SLP, FN\_SLP\_ACC and FN\_SLP\_DEC parameters are set to zero, no BEMF compensation is performed.

Any attempt to write the register when the motor is running causes the command to be ignored and the NOTPERF\_CMD flag to rise ([Section 9.1.24](#)).

### 9.1.15 K\_THERM

The K\_THERM register contains the value used by the winding resistance thermal drift compensation system ([Section 7.6](#)).

The available range is from 1 to 1.46875 with a resolution of 0.03125, as shown in [Table 16](#).

**Table 16. Winding resistance thermal drift compensation coefficient**

K_THERM [3..0]				Compensation coefficient
0	0	0	0	1
0	0	0	1	1.03125
⋮	⋮	⋮	⋮	⋮
1	1	1	0	1.4375
1	1	1	1	1.46875

### 9.1.16 ADC\_OUT

The ADC\_OUT register contains the result of the analog to digital conversion of the ADCIN pin voltage; the result is available even if the supply voltage compensation is disabled.

Any attempt to write to the register causes the command to be ignored and the NOTPERF\_CMD flag to rise ([Section 9.1.24](#)).

**Table 17. ADC\_OUT value and motor supply voltage compensation feature**

V <sub>S</sub>	V <sub>ADCIN</sub> / V <sub>REG</sub>	ADC_OUT [4..0]					Compensation coefficient
Greater than V <sub>S,nom</sub> + 50%	> 24/32	1	1	X	X	X	0.65625
V <sub>S,nom</sub> + 50%	24/32	1	1	0	0	0	0.65625
⋮	⋮	⋮	⋮	⋮	⋮	⋮	⋮
V <sub>S,nom</sub>	16/32	1	0	0	0	0	1
⋮	⋮	⋮	⋮	⋮	⋮	⋮	⋮
V <sub>S,nom</sub> - 50%	8/32	0	1	0	0	0	1.96875
Lower than V <sub>S,nom</sub> - 50%	< 8/32	0	0	X	X	X	1.96875



### 9.1.17 OCD\_TH

The OCD\_TH register contains the overcurrent threshold value ([Section 6.9](#) for details). The available range is from 31.25 mV to 1 V, steps of 31.25 mV, as shown in [Table 18](#).

**Table 18. Overcurrent detection threshold**

OCD_TH [4..0]					Overcurrent detection threshold
0	0	0	0	0	31.25 mV
0	0	0	0	1	62.5 mV
...	...	...	...	...	...
1	1	1	1	0	968.75 mV
1	1	1	1	1	1 V

### 9.1.18 STALL\_TH

The STALL\_TH register contains the stall detection threshold value. The available range is from 31.25 mV to 1 V with a resolution of 31.25 mV.

**Table 19. Stall detection threshold**

STALL_th [4..0]					Stall detection threshold
0	0	0	0	0	31.25 mV
0	0	0	0	1	62.5 mV
...	...	...	...	...	...
1	1	1	1	0	968.75 mV
1	1	1	1	1	1 V

### 9.1.19 STEP\_MODE

The STEP\_MODE register has the following structure:

**Table 20. STEP\_MODE register**

Bit 7	Bit 6	Bit 5	Bit 4	Bit 3	Bit 2	Bit 1	Bit 0
SYNC_EN	SYNC_SEL			0 <sup>(1)</sup>	STEP_SEL		

1. When the register is written this bit must be set to 0.

The STEP\_SEL parameter selects one of eight possible stepping modes:

**Table 21. Step mode selection**

STEP_SEL[2..0]			Step mode
0	0	0	Full-step
0	0	1	Half-step
0	1	0	1/4 microstep
0	1	1	1/8 microstep
1	0	0	1/16 microstep
1	0	1	1/32 microstep
1	1	0	1/64 microstep
1	1	1	1/128 microstep

Every time the step mode is changed, the electrical position (i.e. the point of microstepping sinewave that is generated) is reset to the first microstep.

---

**Warning:** Every time STEP\_SEL is changed the value in the ABS\_POS register loses meaning and should be reset.

---

Any attempt to write the register when the motor is running causes the command to be ignored and the NOTPERF\_CMD flag to rise ([Section 9.1.24](#)).

When when SYNC\_EN bit is set low,  $\overline{\text{BUSY/SYNC}}$  output is forced low during command execution, otherwise, when the SYNC\_EN bit is set high,  $\overline{\text{BUSY/SYNC}}$  output provides a clock signal according to the SYNC\_SEL parameter.

The synchronization signal is obtained starting from electrical position information (EL\_POS register) according to [Table 22](#):

**Table 22. SYNC signal source**

SYNC_SEL[2..0]			Source
0	0	0	EL_POS[7]
0	0	1	EL_POS[6]
0	1	0	EL_POS[5]
0	1	1	EL_POS[4]
1	0	0	EL_POS[3]
1	0	1	EL_POS[2]
1	1	0	EL_POS[1]
1	1	1	EL_POS[0]

### 9.1.20 ALARM\_EN

The ALARM\_EN register allows the selection of which alarm signals are used to generate the  $\overline{\text{FLAG}}$  output. If the respective bit of the ALARM\_EN register is set high, the alarm condition forces the  $\overline{\text{FLAG}}$  pin output down.

**Table 23. ALARM\_EN register**

ALARM_EN bit	Alarm condition
0 (LSB)	Overcurrent
1	Thermal shutdown
2	Thermal warning
3	UVLO
4	ADC UVLO
5	Stall detection
6	Switch turn-on event
7 (MSB)	Command error

### 9.1.21 GATECFG1

The GATECFG1 register has the following structure:

**Table 24. GATECFG1 register**

Bit 15	Bit 14	Bit 13	Bit 12	Bit 11	Bit 10	Bit 9	Bit 8
				WD_EN	TBOOST		
Bit 7	Bit 6	Bit 5	Bit 4	Bit 3	Bit 2	Bit 1	Bit 0
IGATE			TCC				

The IGATE parameter selects the sink/source current used by gate driving circuitry to charge/discharge the respective gate during commutations. Seven possible values ranging from 4 mA to 96 mA are available, as shown in [Table 25](#).

**Table 25. IGATE parameter**

IGATE [2..0]			Gate current [mA]
0	0	0	4
0	0	1	4
0	1	0	8
0	1	1	16
1	0	0	24
1	0	1	32

**Table 25. IGATE parameter (continued)**

IGATE [2..0]			Gate current [mA]
1	1	0	64
1	1	1	96

The TCC parameter defines the duration of constant current phase during gate turn-on and turn-off sequences ([Section 6.15](#)).

**Table 26. TCC parameter**

TCC [4..0]					Constant current time [ns]
0	0	0	0	0	125
0	0	0	0	1	250
↓	↓	↓	↓	↓	↓
1	1	1	0	0	3625
1	1	1	0	1	3750
1	1	1	1	0	3750
1	1	1	1	1	3750

The TBOOST parameter defines the duration of the overboost phase during gate turn-off ([Section 6.15](#)).

**Table 27. TBOOST parameter**

TBOOST [2..0]			Turn-off boost time [ns]
0	0	0	0
0	0	1	62.5 <sup>(1)</sup> /83.3 <sup>(2)</sup> /125 <sup>(3)</sup>
0	1	0	125
0	1	1	250
1	0	0	375
1	0	1	500
1	1	0	750
1	1	1	1000

1. Clock frequency equal to 16 MHz or 32 MHz.
2. Clock frequency equal to 24 MHz.
3. Clock frequency equal to 8 MHz.

The WD\_EN bit enables the clock source monitoring ([Section 6.8.2](#)).

### 9.1.22 GATECFG2

The GATECFG2 register has the following structure:

**Table 28. GATECFG2 register (voltage mode)**

Bit 7	Bit 6	Bit 5	Bit 4	Bit 3	Bit 2	Bit 1	Bit 0
TBLANK				TDT			

The TCC parameter defines the deadtime duration between the gate turn-off and the opposite gate turn-on sequences ([Section 6.16](#)).

**Table 29. TDT parameter**

TDT [4..0]					Deadtime [ns]
0	0	0	0	0	125
0	0	0	0	1	250
↓	↓	↓	↓	↓	↓
1	1	1	1	0	3875
1	1	1	1	1	4000

The TBLANK parameter defines the duration of the blanking of the current sensing comparators (stall detection and overcurrent) after each commutation ([Section 6.16](#)).

**Table 30. TBLANK parameter**

TBLANK [2..0]			Blanking time [ns]
0	0	0	125
0	0	1	250
↓	↓	↓	↓
1	1	0	875
1	1	1	1000

### 9.1.23 CONFIG

The CONFIG register has the following structure:

**Table 31. CONFIG register**

Bit 15	Bit 14	Bit 13	Bit 12	Bit 11	Bit 10	Bit 9	Bit 8
F_PWM_INT			F_PWM_DEC			VCCVAL	UVLOVAL
Bit 7	Bit 6	Bit 5	Bit 4	Bit 3	Bit 2	Bit 1	Bit 0
OC_SD	RESERVED	EN_VSCOMP	SW_MODE	EXT_CLK	OSC_SEL		

The OSC\_SEL and EXT\_CLK bits set the system clock source:

**Table 32. Oscillator management**

EXT_CLK	OSC_SEL[2..0]			Clock source	OSCIN	OSCOUT
0	0	0	0	Internal oscillator: 16 MHz	Unused	Unused
0	0	0	1			
0	0	1	0			
0	0	1	1			
1	0	0	0	Internal oscillator: 16 MHz	Unused	Supplies a 2-MHz clock
1	0	0	1	Internal oscillator: 16 MHz	Unused	Supplies a 4-MHz clock
1	0	1	0	Internal oscillator: 16 MHz	Unused	Supplies an 8-MHz clock
1	0	1	1	Internal oscillator: 16 MHz	Unused	Supplies a 16-MHz clock
0	1	0	0	External crystal or resonator: 8 MHz	Crystal/resonator driving	Crystal/resonator driving
0	1	0	1	External crystal or resonator: 16 MHz	Crystal/resonator driving	Crystal/resonator driving
0	1	1	0	External crystal or resonator: 24 MHz	Crystal/resonator driving	Crystal/resonator driving
0	1	1	1	External crystal or resonator: 32 MHz	Crystal/resonator driving	Crystal/resonator driving
1	1	0	0	Ext. clock source: 8 MHz (crystal/resonator driver disabled)	Clock source	Supplies inverted OSCIN signal
1	1	0	1	Ext. clock source: 16 MHz (crystal/resonator driver disabled)	Clock source	Supplies inverted OSCIN signal
1	1	1	0	Ext. clock source: 24 MHz (crystal/resonator driver disabled)	Clock source	Supplies inverted OSCIN signal
1	1	1	1	Ext. clock source: 32 MHz (crystal/resonator driver disabled)	Clock source	Supplies inverted OSCIN signal

The SW\_MODE bit sets the external switch to act as HardStop interrupt or not:

**Table 33. External switch hard stop interrupt mode**

SW_MODE	Switch mode
0	HardStop interrupt
1	User disposal

The OC\_SD bit sets if an overcurrent event causes or not the bridges to turn off; the OCD flag in the status register is forced low anyway:

**Table 34. Overcurrent event**

OC_SD	Overcurrent event
1	Bridges shut down
0	Bridges do not shut down

The VCCVAL bit sets the internal  $V_{CC}$  regulator output voltage.

**Table 35. Programmable  $V_{CC}$  regulator output voltage**

VCCVAL	$V_{CC}$ voltage
0	7.5 V
1	15 V

The UVLOVAL bit sets the UVLO protection thresholds.

**Table 36. Programmable UVLO thresholds**

UVLOVAL	$V_{CCthOn}$	$V_{CCthOff}$	$\Delta V_{BOOTthOn}$	$\Delta V_{BOOTthOff}$
0	6.9 V	6.3 V	6 V	5.5 V
1	10.4 V	10 V	9.2 V	8.8 V

The EN\_VSCOMP bit sets if the motor supply voltage compensation is enabled or not.

**Table 37. Motor supply voltage compensation enable**

EN_VSCOMP	Motor supply voltage compensation
0	Disabled
1	Enabled

The F\_PWM\_INT bits set the integer division factor of PWM frequency generation.

**Table 38. PWM frequency: integer division factor**

F_PWM_INT [2..0]			Integer division factor
0	0	0	1
0	0	1	2
0	1	0	3
0	1	1	4
1	0	0	5

**Table 38. PWM frequency: integer division factor (continued)**

F_PWM_INT [2..0]			Integer division factor
1	0	1	6
1	1	0	7
1	1	1	7

The F\_PWM\_DEC bits set the multiplication factor of PWM frequency generation.

**Table 39. PWM frequency: multiplication factor**

F_PWM_DEC [2..0]			Multiplication factor
0	0	0	0.625
0	0	1	0.75
0	1	0	0.875
0	1	1	1
1	0	0	1.25
1	0	1	1.5
1	1	0	1.75
1	1	1	2

In the following tables all available PWM frequencies are listed according to oscillator frequency, F\_PWM\_INT and F\_PWM\_DEC values (the CONFIG register OSC\_SEL parameter must be correctly programmed).

**Table 40. Available PWM frequencies [kHz]: 8-MHz oscillator frequency**

F_PWM_INT	F_PWM_DEC							
	000	001	010	011	100	101	110	111
000	9.8	11.7	13.7	15.6	19.5	23.4	27.3	31.3
001	4.9	5.9	6.8	7.8	9.8	11.7	13.7	15.6
010	3.3	3.9	4.6	5.2	6.5	7.8	9.1	10.4
011	2.4	2.9	3.4	3.9	4.9	5.9	6.8	7.8
100	2.0	2.3	2.7	3.1	3.9	4.7	5.5	6.3
101	1.6	2.0	2.3	2.6	3.3	3.9	4.6	5.2
110	1.4	1.7	2.0	2.2	2.8	3.3	3.9	4.5



**Table 41. Available PWM frequencies [kHz]: 16-MHz oscillator frequency**

F_PWM_INT	F_PWM_DEC							
	000	001	010	011	100	101	110	111
000	19.5	23.4	27.3	31.3	39.1	46.9	54.7	62.5
001	9.8	11.7	13.7	15.6	19.5	23.4	27.3	31.3
010	6.5	7.8	9.1	10.4	13.0	15.6	18.2	20.8
011	4.9	5.9	6.8	7.8	9.8	11.7	13.7	15.6
100	3.9	4.7	5.5	6.3	7.8	9.4	10.9	12.5
101	3.3	3.9	4.6	5.2	6.5	7.8	9.1	10.4
110	2.8	3.3	3.9	4.5	5.6	6.7	7.8	8.9

**Table 42. Available PWM frequencies [kHz]: 24-MHz oscillator frequency**

F_PWM_INT	F_PWM_DEC							
	000	001	010	011	100	101	110	111
000	29.3	35.2	41.0	46.9	58.6	70.3	82.0	93.8
001	14.6	17.6	20.5	23.4	29.3	35.2	41.0	46.9
010	9.8	11.7	13.7	15.6	19.5	23.4	27.3	31.3
011	7.3	8.8	10.3	11.7	14.6	17.6	20.5	23.4
100	5.9	7.0	8.2	9.4	11.7	14.1	16.4	18.8
101	4.9	5.9	6.8	7.8	9.8	11.7	13.7	15.6
110	4.2	5.0	5.9	6.7	8.4	10.0	11.7	13.4

**Table 43. Available PWM frequencies [kHz]: 32-MHz oscillator frequency**

	F_PWM_DEC							
F_PWM_INT	000	001	010	011	100	101	110	111
000	39.1	46.9	54.7	62.5	78.1	93.8	109.4	125.0
001	19.5	23.4	27.3	31.3	39.1	46.9	54.7	62.5
010	13.0	15.6	18.2	20.8	26.0	31.3	36.5	41.7
011	9.8	11.7	13.7	15.6	19.5	23.4	27.3	31.3
100	7.8	9.4	10.9	12.5	15.6	18.8	21.9	25.0
101	6.5	7.8	9.1	10.4	13.0	15.6	18.2	20.8
110	5.6	6.7	7.8	8.9	11.2	13.4	15.6	17.9

Any attempt to write the CONFIG register when the motor is running causes the command to be ignored and the NOTPERF\_CMD flag to rise ([Section 9.1.24](#)).

### 9.1.24 STATUS

The STATUS register has the following structure:

**Table 44. STATUS register**

Bit 15	Bit 14	Bit 13	Bit 12	Bit 11	Bit 10	Bit 9	Bit 8
STEP_LOSS_B	STEP_LOSS_A	OCD	TH_SD		UVLO_ADC	UVLO	STCK_MOD
Bit 7	Bit 6	Bit 5	Bit 4	Bit 3	Bit 2	Bit 1	Bit 0
NOTPERF_CMD	MOT_STATUS		DIR	SW_EV_N	SW_F	BUSY	HiZ

When the HiZ flag is high it indicates that the bridges are in high impedance state. Any motion command causes the device to exit from High Z state (HardStop and SoftStop included), unless error flags forcing a High Z state are active.

The UVLO flag is active low and is set by an undervoltage lockout or reset events (power-up included).

The UVLO\_ADC flag is active low and indicates an ADC undervoltage event.

The OCD flag is active low and indicates an overcurrent detection event.

The STEP\_LOSS\_A and STEP\_LOSS\_B flags are forced low when a stall condition is detected on bridge A or bridge B respectively.

The CMD\_ERROR flag is active high and indicates that the command received by SPI can't be performed or does not exist at all.

The SW\_F reports the SW input status (low for open and high for closed).

The SW\_EVN flag is active high and indicates a switch turn-on event (SW input falling edge).

TH\_STATUS bits indicate the current device thermal status ([Section 6.12](#)):

**Table 45. STATUS register TH\_STATUS bits**

TH_STATUS		Status
0	0	Normal
0	1	Warning
1	0	Bridge shutdown
1	1	Device shutdown

UVLO, UVLO\_ADC, OCD, STEP\_LOSS\_A, STEP\_LOSS\_B, CMD\_ERROR, SW\_EVN and TH\_STATUS bits are latched: when the respective conditions make them active (low or high) they remain in that state until a GetStatus command is sent to the IC.

The BUSY bit reflects the BUSY pin status. The BUSY flag is low when a constant speed, positioning or motion command is under execution and is released (high) after the command has been completed.

The STCK\_MOD bit is an active high flag indicating that the device is working in Step-clock mode. In this case the step-clock signal should be provided through the STCK input pin.

The DIR bit indicates the current motor direction:

**Table 46. STATUS register DIR bit**

DIR	Motor direction
1	Forward
0	Reverse

MOT\_STATUS indicates the current motor status:

**Table 47. STATUS register MOT\_STATE bits**

MOT_STATUS		Motor status
0	0	Stopped
0	1	Acceleration
1	0	Deceleration
1	1	Constant speed

Any attempt to write to the register causes the command to be ignored and the NOTPERF\_CMD to rise ([Section 9.1.24](#)).

## 9.2 Application commands

The commands summary is given in [Table 48](#).

**Table 48. Application commands**

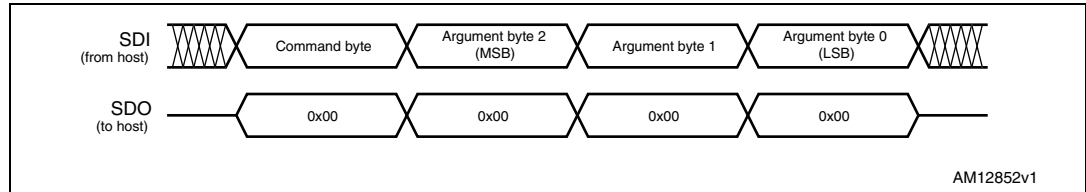
Command mnemonic	Command binary code					Action
	[7..5]	[4]	[3]	[2..1]	[0]	
NOP	000	0	0	00	0	Nothing
SetParam(PARAM,VALUE)	000	[PARAM]				Writes VALUE in PARAM register
GetParam(PARAM)	001	[PARAM]				Returns the stored value in PARAM register
Run(DIR,SPD)	010	1	0	00	DIR	Sets the target speed and the motor direction
StepClock(DIR)	010	1	1	00	DIR	Puts the device in Step-clock mode and imposes DIR direction
Move(DIR,N_STEP)	010	0	0	00	DIR	Makes N_STEP (micro)steps in DIR direction (Not performable when motor is running)
GoTo(ABS_POS)	011	0	0	00	0	Brings motor in ABS_POS position (minimum path)
GoTo_DIR(DIR,ABS_POS)	011	0	1	00	DIR	Brings motor in ABS_POS position forcing DIR direction
GoUntil(ACT,DIR,SPD)	100	0	ACT	01	DIR	Performs a motion in DIR direction with speed SPD until SW is closed, the ACT action is executed then a SoftStop takes place
ReleaseSW(ACT, DIR)	100	1	ACT	01	DIR	Performs a motion in DIR direction at minimum speed until the SW is released (open), the ACT action is executed then a HardStop takes place
GoHome	011	1	0	00	0	Brings the motor in HOME position
GoMark	011	1	1	00	0	Brings the motor in MARK position
ResetPos	110	1	1	00	0	Resets the ABS_POS register (sets HOME position)
ResetDevice	110	0	0	00	0	Device is reset to power-up conditions
SoftStop	101	1	0	00	0	Stops motor with a deceleration phase
HardStop	101	1	1	00	0	Stops motor immediately
SoftHiZ	101	0	0	00	0	Puts the bridges in high impedance status after a deceleration phase
HardHiZ	101	0	1	00	0	Puts the bridges in high impedance status immediately
GetStatus	110	1	0	00	0	Returns the status register value
RESERVED	111	0	1	01	1	RESERVED COMMAND
RESERVED	111	1	1	00	0	RESERVED COMMAND

### 9.2.1 Command management

The host microcontroller can control motor motion and configure the L6480 through a complete set of commands.

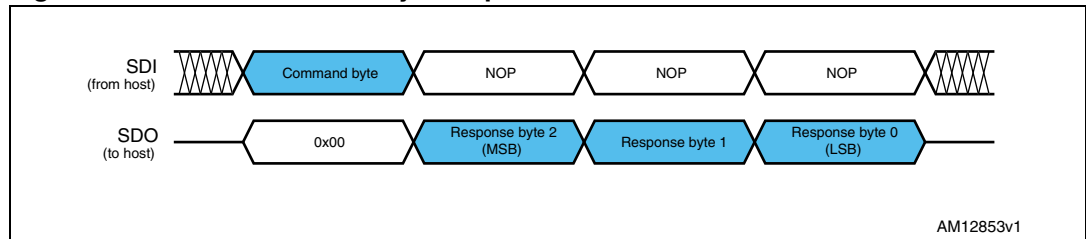
All commands are composed by a single byte. After the command byte, some bytes of arguments should be needed (see [Figure 21](#)). Argument length can vary from 1 to 3 bytes.

**Figure 21. Command with 3-byte argument**



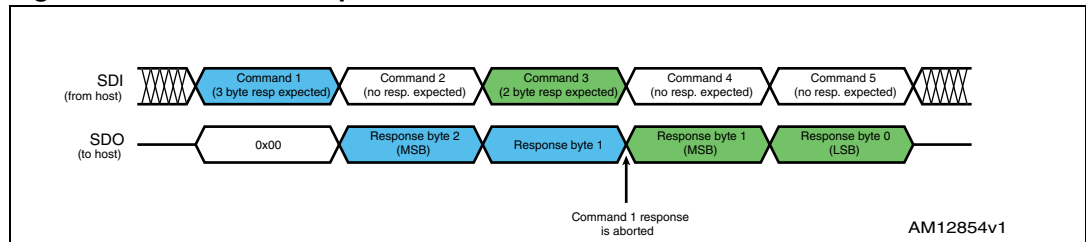
By default, the device returns an all zero response for any received byte, the only exceptions are GetParam and GetStatus commands. When one of these commands is received, the following response bytes represent the related register value (see [Figure 22](#)). Response length can vary from 1 to 3 bytes.

**Figure 22. Command with 3-byte response**



During response transmission, new commands can be sent. If a command requiring a response is sent before the previous response is completed, the response transmission is aborted and the new response is loaded into the output communication buffer (see [Figure 23](#)).

**Figure 23. Command response aborted**



When a byte that does not correspond to a command is sent to the IC it is ignored and the WRONG\_CMD flag in the STATUS register is raised (see paragraph [Section 9.1.24](#)).

### 9.2.2 Nop

**Table 49. Nop command structure**

Bit 7	Bit 6	Bit 5	Bit 4	Bit 3	Bit 2	Bit 1	Bit 0	
0	0	0	0	0	0	0	0	From host

Nothing is performed.

### 9.2.3 SetParam (PARAM, VALUE)

**Table 50. SetParam command structure**

Bit 7	Bit 6	Bit 5	Bit 4	Bit 3	Bit 2	Bit 1	Bit 0	
0	0	0	PARAM				From host	
VALUE Byte 2 (if needed)								
VALUE Byte 1 (if needed)								
VALUE Byte 0								

The SetParam command sets the PARAM register value equal to VALUE; PARAM is the respective register address listed in [Table 11](#).

The command should be followed by the new register VALUE (most significant byte first). The number of bytes composing the VALUE argument depends on the length of the target register (see [Table 11](#)).

Some registers cannot be written (see [Table 11](#)); any attempt to write one of those registers causes the command to be ignored and the WRONG\_CMD flag to rise at the end of the command byte, as if an unknown command code were sent (see [Section 9.1.24](#)).

Some registers can only be written in particular conditions (see [Table 11](#)); any attempt to write one of those registers when the conditions are not satisfied causes the command to be ignored and the NOTPERF\_CMD flag to rise at the end of the last argument byte (see [Section 9.1.24](#)).

Any attempt to set an inexistent register (wrong address value) causes the command to be ignored and the WRONG\_CMD flag to rise at the end of the command byte as if an unknown command code were sent.

### 9.2.4 GetParam (PARAM)

**Table 51. GetParam command structure**

Bit 7	Bit 6	Bit 5	Bit 4	Bit 3	Bit 2	Bit 1	Bit 0	
0	0	1	PARAM				from host	
ANS Byte 2 (if needed)						to host		
ANS Byte 1 (if needed)						to host		
ANS Byte 0						to host		

This command reads the current PARAM register value; PARAM is the respective register address listed in [Table 11](#).

The command response is the current value of the register (most significant byte first). The number of bytes composing the command response depends on the length of the target register (see [Table 11](#)).

The returned value is the register one at the moment of GetParam command decoding. If register values change after this moment, the response is not accordingly updated.

All registers can be read anytime.

Any attempt to read an inexistent register (wrong address value) causes the command to be ignored and the WRONG\_CMD flag to rise at the end of the command byte as if an unknown command code were sent.

### 9.2.5 Run (DIR, SPD)

**Table 52. Run command structure**

Bit 7	Bit 6	Bit 5	Bit 4	Bit 3	Bit 2	Bit 1	Bit 0	
0	1	0	1	0	0	0	DIR	from host
X	X	X	X	SPD (Byte 2)				from host
SPD (Byte 1)								from host
SPD (Byte 0)								from host

The Run command produces a motion at SPD speed; the direction is selected by the DIR bit: '1' forward or '0' reverse. The SPD value is expressed in step/tick (format unsigned fixed point 0.28) that is the same format as the SPEED register ([Section 9.1.4](#)).

*Note:* The SPD value should be lower than MAX\_SPEED and greater than MIN\_SPEED, otherwise the Run command is executed at MAX\_SPEED or MIN\_SPEED respectively.

This command keeps the BUSY flag low until the target speed is reached.

This command can be given anytime and is immediately executed.

### 9.2.6 StepClock (DIR)

**Table 53. StepClock command structure**

Bit 7	Bit 6	Bit 5	Bit 4	Bit 3	Bit 2	Bit 1	Bit 0	
0	1	0	1	1	0	0	DIR	from host

The StepClock command switches the device in Step-clock mode ([Section 6.7.5](#)) and imposes the forward (DIR = '1') or reverse (DIR = '0') direction.

When the device is in Step-clock mode, the SCK\_MOD flag in the STATUS register is raised and the motor is always considered stopped ([Section 6.7.5](#) and [9.1.24](#)).

The device exits Step-clock mode when a constant speed, absolute positioning or motion command is sent through SPI. Motion direction is imposed by the respective StepClock

command argument and can be changed by a new StepClock command without exiting Step-clock mode.

Events that cause bridges to be forced into high impedance state (overtemperature, overcurrent, etc.) do not cause the device to leave Step-clock mode.

The StepClock command does not force the BUSY flag low. This command can only be given when the motor is stopped. If a motion is in progress, the motor should be stopped and it is then possible to send a StepClock command.

Any attempt to perform a StepClock command when the motor is running causes the command to be ignored and the NOTPERF\_CMD flag to rise ([Section 9.1.24](#)).

### 9.2.7 Move (DIR, N\_STEP)

**Table 54. Move command structure**

Bit 7	Bit 6	Bit 5	Bit 4	Bit 3	Bit 2	Bit 1	Bit 0	
0	1	0	0	0	0	0	DIR	from host
X	X	N_STEP (Byte 2)						from host
N_STEP (Byte 1)								from host
N_STEP (Byte 0)								from host

The move command produces a motion of N\_STEP microsteps; the direction is selected by the DIR bit ('1' forward or '0' reverse).

The N\_STEP value is always in agreement with the selected step mode; the parameter value unit is equal to the selected step mode (full, half, quarter, etc.).

This command keeps the BUSY flag low until the target number of steps is performed. This command can only be performed when the motor is stopped. If a motion is in progress the motor must be stopped and it is then possible to perform a move command.

Any attempt to perform a move command when the motor is running causes the command to be ignored and the NOTPERF\_CMD flag to rise ([Section 9.1.24](#)).

### 9.2.8 GoTo (ABS\_POS)

**Table 55. GoTo command structure**

Bit 7	Bit 6	Bit 5	Bit 4	Bit 3	Bit 2	Bit 1	Bit 0	
0	1	1	0	0	0	0	0	from host
X	X	ABS_POS (Byte 2)						from host
ABS_POS (Byte 1)								from host
ABS_POS (Byte 0)								from host

The GoTo command produces a motion to ABS\_POS absolute position through the shortest path. The ABS\_POS value is always in agreement with the selected step mode; the parameter value unit is equal to the selected step mode (full, half, quarter, etc.).

The GoTo command keeps the BUSY flag low until the target position is reached.



This command can be given only when the previous motion command has been completed (BUSY flag released).

Any attempt to perform a GoTo command when a previous command is under execution (BUSY low) causes the command to be ignored and the NOTPERF\_CMD flag to rise ([Section 9.1.24](#)).

### 9.2.9 GoTo\_DIR (DIR, ABS\_POS)

**Table 56. GoTo\_DIR command structure**

Bit 7	Bit 6	Bit 5	Bit 4	Bit 3	Bit 2	Bit 1	Bit 0		
0	1	1	0	1	0	0	DIR	from host	
X	X	ABS_POS (Byte 2)							from host
							ABS_POS (Byte 1)	from host	
							ABS_POS (Byte 0)	from host	

The GoTo\_DIR command produces a motion to ABS\_POS absolute position imposing a forward (DIR = '1') or a reverse (DIR = '0') rotation. The ABS\_POS value is always in agreement with the selected step mode; the parameter value unit is equal to the selected step mode (full, half, quarter, etc.).

The GoTo\_DIR command keeps the BUSY flag low until the target speed is reached. This command can be given only when the previous motion command has been completed (BUSY flag released).

Any attempt to perform a GoTo\_DIR command when a previous command is under execution (BUSY low) causes the command to be ignored and the NOTPERF\_CMD flag to rise ([Section 9.1.24](#)).

### 9.2.10 GoUntil (ACT, DIR, SPD)

**Table 57. GoUntil command structure**

Bit 7	Bit 6	Bit 5	Bit 4	Bit 3	Bit 2	Bit 1	Bit 0		
1	0	0	0	ACT	0	1	DIR	from host	
X	X	X	X	SPD (Byte 2)					from host
							SPD (Byte 1)	from host	
							SPD (Byte 0)	from host	

The GoUntil command produces a motion at SPD speed imposing a forward (DIR = '1') or a reverse (DIR = '0') direction. When an external switch turn-on event occurs ([Section 6.14](#)), the ABS\_POS register is reset (if ACT = '0') or the ABS\_POS register value is copied into the MARK register (if ACT = '1'); the system then performs a SoftStop command.

The SPD value is expressed in step/tick (format unsigned fixed point 0.28) that is the same format as the SPEED register ([Section 9.1.4](#)).

The SPD value should be lower than MAX\_SPEED and greater than MIN\_SPEED, otherwise the target speed is imposed at MAX\_SPEED or MIN\_SPEED respectively.

If the SW\_MODE bit of the CONFIG register is set low, the external switch turn-on event causes a HardStop interrupt instead of the SoftStop one ([Section 6.14](#) and [Section 9.1.23](#)).

This command keeps the BUSY flag low until the switch turn-on event occurs and the motor is stopped. This command can be given anytime and is immediately executed.

### 9.2.11 ReleaseSW (ACT, DIR)

**Table 58. ReleaseSW command structure**

Bit 7	Bit 6	Bit 5	Bit 4	Bit 3	Bit 2	Bit 1	Bit 0	
1	0	0	1	ACT	0	1	DIR	from host

The ReleaseSW command produces a motion at minimum speed imposing a forward (DIR = '1') or reverse (DIR = '0') rotation. When SW is released (opened) the ABS\_POS register is reset (ACT = '0') or the ABS\_POS register value is copied into the MARK register (ACT = '1'); the system then performs a HardStop command.

Note that, resetting the ABS\_POS register is equivalent to setting the HOME position.

If the minimum speed value is less than 5 step/s or low speed optimization is enabled, the motion is performed at 5 step/s.

The ReleaseSW command keeps the BUSY flag low until the switch input is released and the motor is stopped.

### 9.2.12 GoHome

**Table 59. GoHome command structure**

Bit 7	Bit 6	Bit 5	Bit 4	Bit 3	Bit 2	Bit 1	Bit 0	
0	1	1	1	0	0	0	0	from host

The GoHome command produces a motion to the HOME position (zero position) via the shortest path.

Note that, this command is equivalent to the “GoTo(0...0)” command. If a motor direction is mandatory, the GoTo\_DIR command must be used ([Section 9.2.9](#)).

The GoHome command keeps the BUSY flag low until the home position is reached. This command can be given only when the previous motion command has been completed. Any attempt to perform a GoHome command when a previous command is under execution (BUSY low) causes the command to be ignored and the NOTPERF\_CMD to rise ([Section 9.1.24](#)).

### 9.2.13 GoMark

**Table 60. GoMark command structure**

Bit 7	Bit 6	Bit 5	Bit 4	Bit 3	Bit 2	Bit 1	Bit 0	
0	1	1	1	1	0	0	0	from host

The GoMark command produces a motion to the MARK position performing the minimum path.

Note that, this command is equivalent to the “GoTo (MARK)” command. If a motor direction is mandatory, the GoTo\_DIR command must be used.

The GoMark command keeps the BUSY flag low until the MARK position is reached. This command can be given only when the previous motion command has been completed (BUSY flag released).

Any attempt to perform a GoMark command when a previous command is under execution (BUSY low) causes the command to be ignored and the NOTPERF\_CMD flag to rise ([Section 9.1.24](#)).

### 9.2.14 ResetPos

**Table 61. ResetPos command structure**

Bit 7	Bit 6	Bit 5	Bit 4	Bit 3	Bit 2	Bit 1	Bit 0	
1	1	0	1	1	0	0	0	from host

The ResetPos command resets the ABS\_POS register to zero. The zero position is also defined as the HOME position ([Section 6.5](#)).

### 9.2.15 ResetDevice

**Table 62. ResetDevice command structure**

Bit 7	Bit 6	Bit 5	Bit 4	Bit 3	Bit 2	Bit 1	Bit 0	
1	1	0	0	0	0	0	0	from host

The ResetDevice command resets the device to power-up conditions ([Section 6.1](#)).

*Note: At power-up the power bridges are disabled.*

### 9.2.16 SoftStop

**Table 63. SoftStop command structure**

Bit 7	Bit 6	Bit 5	Bit 4	Bit 3	Bit 2	Bit 1	Bit 0	
1	0	1	1	0	0	0	0	from host

The SoftStop command causes an immediate deceleration to zero speed and a consequent motor stop; the deceleration value used is the one stored in the DEC register ([Section 9.1.6](#)).

When the motor is in high impedance state, a SoftStop command forces the bridges to exit from high impedance state; no motion is performed.

This command can be given anytime and is immediately executed. This command keeps the BUSY flag low until the motor is stopped.

### 9.2.17 HardStop

**Table 64. HardStop command structure**

Bit 7	Bit 6	Bit 5	Bit 4	Bit 3	Bit 2	Bit 1	Bit 0	
1	0	1	1	1	0	0	0	from host

The HardStop command causes an immediate motor stop with infinite deceleration.

When the motor is in high impedance state, a HardStop command forces the bridges to exit high impedance state; no motion is performed.

This command can be given anytime and is immediately executed. This command keeps the BUSY flag low until the motor is stopped.

### 9.2.18 SoftHiZ

**Table 65. SoftHiZ command structure**

Bit 7	Bit 6	Bit 5	Bit 4	Bit 3	Bit 2	Bit 1	Bit 0	
1	0	1	0	0	0	0	0	from host

The SoftHiZ command disables the power bridges (high impedance state) after a deceleration to zero; the deceleration value used is the one stored in the DEC register ([Section 9.1.6](#)). When bridges are disabled, the HiZ flag is raised.

When the motor is stopped, a SoftHiZ command forces the bridges to enter high impedance state.

This command can be given anytime and is immediately executed. This command keeps the BUSY flag low until the motor is stopped.

### 9.2.19 HardHiZ

**Table 66. HardHiZ command structure**

Bit 7	Bit 6	Bit 5	Bit 4	Bit 3	Bit 2	Bit 1	Bit 0	
1	0	1	0	1	0	0	0	from host

The HardHiZ command immediately disables the power bridges (high impedance state) and raises the HiZ flag.

When the motor is stopped, a HardHiZ command forces the bridges to enter high impedance state.

This command can be given anytime and is immediately executed.

This command keeps the BUSY flag low until the motor is stopped.

## 9.2.20 GetStatus

**Table 67. GetStatus command structure**

Bit 7	Bit 6	Bit 5	Bit 4	Bit 3	Bit 2	Bit 1	Bit 0	
1	1	0	1	0	0	0	0	from host
STATUS MSByte								to host
STATUS LSByte								to host

The GetStatus command returns the Status register value.

The GetStatus command resets the STATUS register warning flags. The command forces the system to exit from any error state. The GetStatus command DOES NOT reset the HiZ flag.

# 10 Package mechanical data

In order to meet environmental requirements, ST offers these devices in different grades of ECOPACK® packages, depending on their level of environmental compliance. ECOPACK® specifications, grade definitions and product status are available at: [www.st.com](http://www.st.com). ECOPACK® is an ST trademark.

**Table 68. HTSSOP38 mechanical data**

Symbol	mm		
	Min.	Typ.	Max.
A		-	1.1
A1	0.05	-	0.15
A2	0.85	0.9	0.95
b	0.17	-	0.27
c	0.09	-	0.20
D	9.60	9.70	9.80
E1	4.30	4.40	4.50
e	-	0.50	-
E	-	6.40	-
L	0.50	0.60	0.70
P	6.40	6.50	6.60
P1	3.10	3.20	3.30
∅	0°	-	8°

**Figure 24. HTSSOP38 package dimensions**

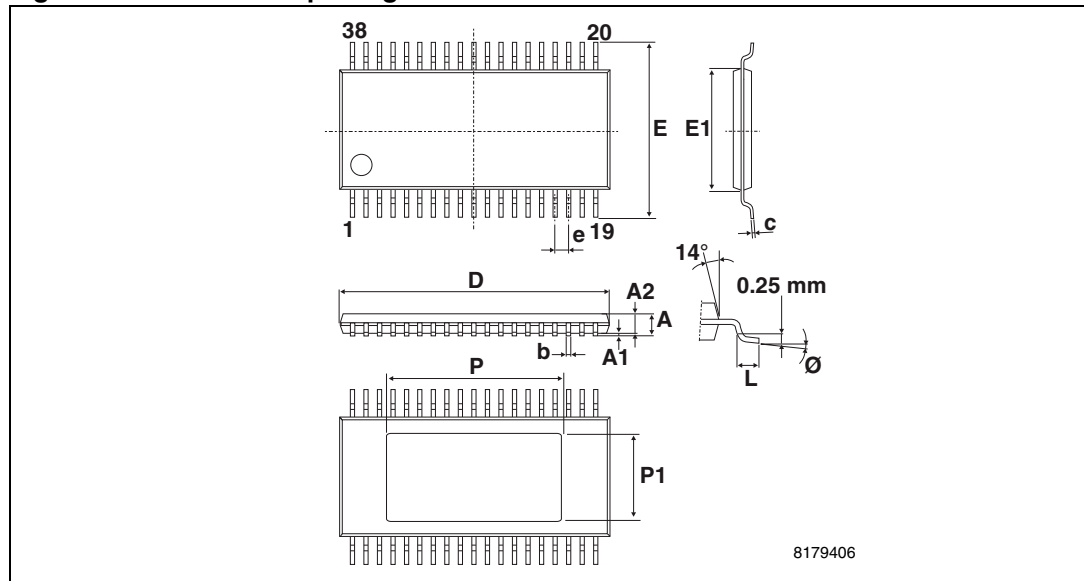
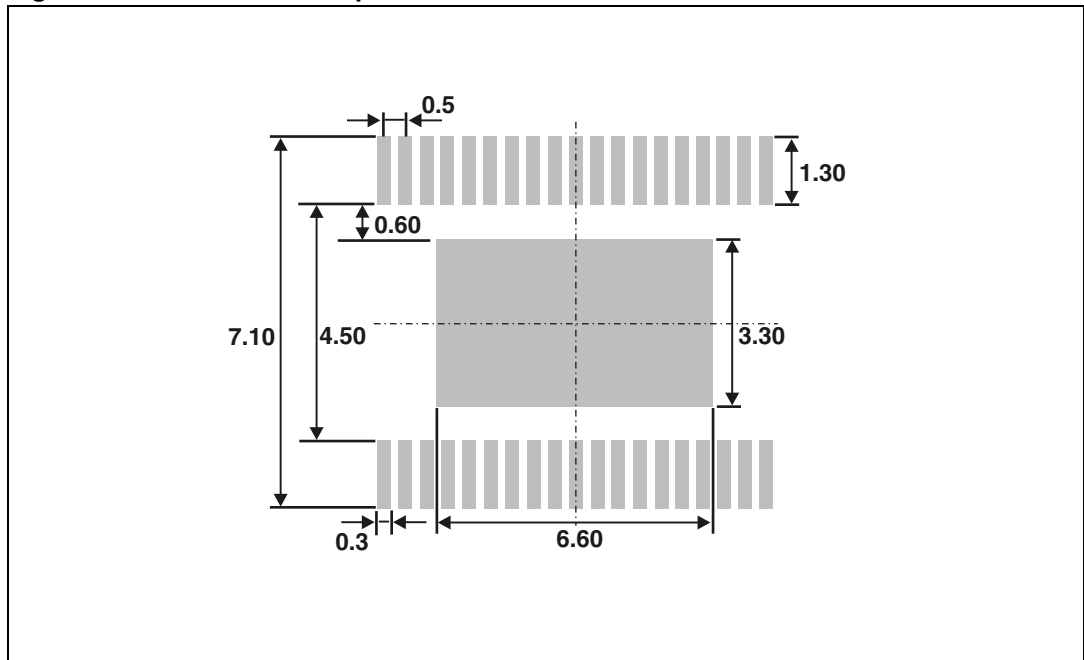


Figure 25. HTSSOP38 footprint



# 11 Revision history

**Table 69. Document revision history**

Date	Revision	Changes
13-Jun-2012	1	Initial release.
04-Oct-2012	2	Updated <a href="#">Table 2</a> , <a href="#">Table 5</a> , <a href="#">Table 6</a> , <a href="#">Table 9</a> , <a href="#">Table 31</a> , <a href="#">Table 36</a> . Update <a href="#">Figure 8</a> , <a href="#">Figure 9</a> , <a href="#">Figure 10</a> . Minor text changes.
19-Dec-2012	3	Changed the title. Inserted footnote in <a href="#">Table 2</a> and in <a href="#">Table 4</a> . Updated <a href="#">Table 18</a> and <a href="#">Table 19</a> .



**Please Read Carefully:**

Information in this document is provided solely in connection with ST products. STMicroelectronics NV and its subsidiaries ("ST") reserve the right to make changes, corrections, modifications or improvements, to this document, and the products and services described herein at any time, without notice.

All ST products are sold pursuant to ST's terms and conditions of sale.

Purchasers are solely responsible for the choice, selection and use of the ST products and services described herein, and ST assumes no liability whatsoever relating to the choice, selection or use of the ST products and services described herein.

No license, express or implied, by estoppel or otherwise, to any intellectual property rights is granted under this document. If any part of this document refers to any third party products or services it shall not be deemed a license grant by ST for the use of such third party products or services, or any intellectual property contained therein or considered as a warranty covering the use in any manner whatsoever of such third party products or services or any intellectual property contained therein.

**UNLESS OTHERWISE SET FORTH IN ST'S TERMS AND CONDITIONS OF SALE ST DISCLAIMS ANY EXPRESS OR IMPLIED WARRANTY WITH RESPECT TO THE USE AND/OR SALE OF ST PRODUCTS INCLUDING WITHOUT LIMITATION IMPLIED WARRANTIES OF MERCHANTABILITY, FITNESS FOR A PARTICULAR PURPOSE (AND THEIR EQUIVALENTS UNDER THE LAWS OF ANY JURISDICTION), OR INFRINGEMENT OF ANY PATENT, COPYRIGHT OR OTHER INTELLECTUAL PROPERTY RIGHT.**

**UNLESS EXPRESSLY APPROVED IN WRITING BY TWO AUTHORIZED ST REPRESENTATIVES, ST PRODUCTS ARE NOT RECOMMENDED, AUTHORIZED OR WARRANTED FOR USE IN MILITARY, AIR CRAFT, SPACE, LIFE SAVING, OR LIFE SUSTAINING APPLICATIONS, NOR IN PRODUCTS OR SYSTEMS WHERE FAILURE OR MALFUNCTION MAY RESULT IN PERSONAL INJURY, DEATH, OR SEVERE PROPERTY OR ENVIRONMENTAL DAMAGE. ST PRODUCTS WHICH ARE NOT SPECIFIED AS "AUTOMOTIVE GRADE" MAY ONLY BE USED IN AUTOMOTIVE APPLICATIONS AT USER'S OWN RISK.**

Resale of ST products with provisions different from the statements and/or technical features set forth in this document shall immediately void any warranty granted by ST for the ST product or service described herein and shall not create or extend in any manner whatsoever, any liability of ST.

ST and the ST logo are trademarks or registered trademarks of ST in various countries.

Information in this document supersedes and replaces all information previously supplied.

The ST logo is a registered trademark of STMicroelectronics. All other names are the property of their respective owners.

© 2012 STMicroelectronics - All rights reserved

STMicroelectronics group of companies

Australia - Belgium - Brazil - Canada - China - Czech Republic - Finland - France - Germany - Hong Kong - India - Israel - Italy - Japan - Malaysia - Malta - Morocco - Philippines - Singapore - Spain - Sweden - Switzerland - United Kingdom - United States of America

[www.st.com](http://www.st.com)