

EEG Front-End Performance Demonstration Kit

This user's guide describes the characteristics, operation, and use of the ADS1299EEG-FE. This EVM is an evaluation module for the ADS1299, an eight-channel, 24-bit, low-power; integrated analog front-end (AFE) designed for electroencephalography (EEG) applications. The ADS1299EEG-FE is intended for prototyping and evaluation. This user's guide includes a complete circuit description, schematic diagram, and bill of materials.

The following related documents are available through the Texas Instruments web site at www.ti.com.

Device	Literature Number
ADS1299	SBAS499

Contents

1	ADS1299EEG-FE Overview	4
	1.1 Important Disclaimer Information	4
	1.2 Information about Cautions and Warnings	4
2	Overview	5
	2.1 Introduction	5
	2.2 Supported Features	5
	2.3 Features Not Supported in Current Version	5
	2.4 ADS1299EEG-FE Hardware	5
	2.5 Factory Default Jumper Settings	6
3	Software Installation	7
	3.1 Minimum Requirements	7
	3.2 Installing the Software	7
	3.3 Install the ADS1299 EVM Hardware Drivers	10
4	ADS1299EEG-FE Daughter Card Hardware Introduction	13
	4.1 Power Supply	14
	4.2 Clock	15
	4.3 Reference	16
	4.4 Accessing ADS1299 Analog Signals	16
	4.5 Accessing ADS1299 Digital Signals	16
	4.6 Analog Inputs	17
5	Using the Software: ADS1299 Control Registers and GUI	18
	5.1 Overview and Features	18
	5.2 Global Channel Registers	19
	5.3 Channel Control Registers	19
	5.4 GPIO and Other Registers	23
	5.5 Lead-Off and BIAS Registers	23
	5.6 Register Map	26
6	ADS1299EEG-FE Analysis Tools	27
	6.1 Scope Tab	27
	6.2 Histogram Tool	28
	6.3 FFT Tool	29
7	EEG Specific Features	32
	7.1 Reference Signal and Patient Bias Signal	32

SPI is a trademark of Motorola.

	7.2	Lead-Off Detection	36
	7.3	External Calibration/Test Signals	40
8		Test Options on the EVM	43
	8.1	On Chip (ADS1299) Input Short	43
	8.2	External Input Short with 5K Resistor	44
	8.3	Noise with Common Reference on Negative Inputs	46
	8.4	Noise with Buffered Common Reference Input	48
	8.5	Internally Generated Test Signal and Other Multiplexer Inputs	49
	8.6	Arbitrary Input Signal	49
9		Bill of Materials, Layouts and Schematics	50
	9.1	ADS1299EEG-FE Front-End Board Schematics	50
	9.2	Printed Circuit Board Layout	53
	9.3	Bill of Materials	57
	9.4	ADS1299EEG-FE Power-Supply Recommendations	59

List of Figures

1	ADS1299EEG-FE Kit	6
2	Executable to Run ADS1299 Software Installation	7
3	Initialization of ADS1299EEG-FE	8
4	License Agreement	8
5	Installation Process	9
6	USBStyx Driver Preinstallation	9
7	Completion of ADS1299 Software Installation	10
8	New Hardware Wizard	10
9	New Hardware Wizard Screen 3	11
10	Completion of the Initial USB Drive	11
11	Second 'New Hardware' Wizard	12
12	Install the USBStyx Driver	12
13	ADS1299 EEG-FE Front End Block Diagram	14
14	Input Configurations Supported by the EEG-FE a) Differential Inputs b) Single ended inputs.....	17
15	File Save Option Under 'Save' Tab	18
16	Channel Registers GUI for Global Registers	19
17	Input Multiplexer for a Single Channel (MAIN = [000 or 110 or 111])	20
18	Channel Control Registers GUI Panel	20
19	Register Bit for SRB1 Routing	21
20	Internal Test Signals	21
21	Simplified Diode Arrangement	22
22	Eight Channel Read of Internal Temperature Data	22
23	GPIO Control Register GUI Panel.....	23
24	LOFF_STATP and LOFF_STATN Comparators	24
25	LOFF_SENSP and LOFF_SENSN Registers GUI Panel	24
26	Lead-Off Status Indicator	25
27	BIAS_SENSP and BIAS_SENSN GUI Panel.....	26
28	Device Register Settings	26
29	Scope Tool Features	27
30	Zoom Option on the Waveform Examination Tool	28
31	Histogram Bins for Input Short Noise	29
32	Analysis : FFT Graph of Input Short Test	30
33	Analysis : FFT : AC Analysis Parameters : Windowing Options	31
34	Analysis : FFT : FFT Analysis : Input Short Condition.....	31
35	Changing the User-Defined Dynamic Range for Channel 1	32

36	Dedicated Reference and Bias Electrode	33
37	Programmable reference and bias electrode	34
38	Settings for Normal Electrode.....	35
39	Configuring BIASREF and Bias Drive Buffer	35
40	Setting up the Bias Drive Loop	36
41	Setting the LOFF Register Bits	37
42	Configuring the Lead Off Comparator	37
43	Lead off Status Registers	37
44	Scope tab for Impedance Measurement at 31.25Hz	38
45	FFT Analysis for Impedance Measurement at 31.25Hz.....	39
46	Scope Tab for Impedance Measurement at fDR/4 (DR = 4ksps)	40
47	Multiplexer Setting for Calibration with Electrode Disconnected	41
48	Multiplexer Setting with Positive Electrode Connected to Test Signal	42
49	Multiplexer Setting with Both Electrodes Connected to Test Signal	42
50	Channel Setting for Input Short Test.....	43
51	Global Register Settings for Input Short Test.....	43
52	Scope Tab for Input Short Test.....	44
53	Global Register Settings for External Input Short Test	45
54	Scope Showing Noise for Input Short with 5k Resistors	45
55	MISC1 Register Setting for SRB1	46
56	Noise with Negative Input Connected to SRB1 Pin.....	47
57	Noise with OPA376 in SRB1 Path	48
58	Scope Tab with Sinusoidal Inputs on AIN1	49
59	ADS1299EEG-FC Schematic	50
60	ADS1299EEG-FC Jumper Schematic	51
61	ECG Power Supplies	52
62	External Reference Drivers (Not Installed)	53
63	ECG MDK Board Interface Adapter.....	53
64	ADS1299EEG-FE Top Assembly	54
65	ADS1299EEG-FE Top Layer	54
66	ADS1299EEG-FE Internal Layer (1).....	55
67	ADS1299EEG-FE Internal Layer (2).....	55
68	ADS1299EEG-FE Bottom Layer	56
69	ADS1299EEG-FE Bottom Assembly.....	56
70	Recommended Power Supply for ADS1299EEG-FE	59

List of Tables

1	Factory Default Jumper Settings.....	6
2	Power Supply Test Points	15
3	Analog Supply Configurations	15
4	Digital Supply Configurations	15
5	Clock Jumper Options	15
6	External Reference Jumper Options	16
7	Test Signals	16
8	Serial Interface Pin Out	16
9	Dedicated Reference Drive Options through REF_ELEC.....	33
10	Bill of Materials.....	57

1 ADS1299EEG-FE Overview

1.1 Important Disclaimer Information

CAUTION

Notice: The ADS1299EEG-FE is intended for feasibility and evaluation testing only in laboratory and development environments. This product is not for diagnostic use.

The ADS1299EEG-FE is to be used only under these conditions:

- The ADS1299EEG-FE is intended only for **electrical** evaluation of the features of the ADS1299 device in a laboratory, simulation, or development environment.
- The ADS1299EEG-FE is not intended for direct interface with a patient, patient diagnostics, or with a defibrillator.
- The ADS1299EEG-FE is intended for development purposes **ONLY**. It is not intended to be used as all or part of an end-equipment application.
- The ADS1299EEG-FE should be used only by qualified engineers and technicians who are familiar with the risks associated with handling electrical and mechanical components, systems, and subsystems.
- You are responsible for the safety of yourself, your fellow employees and contractors, and your co-workers when using or handling the ADS1299EEG-FE. Furthermore, you are fully responsible for the contact interface between the human body and electronics; consequently, you are responsible for preventing electrical hazards such as shock, electrostatic discharge, and electrical overstress of electric circuit components.

1.2 Information about Cautions and Warnings

This document contains caution statements. The information in a caution statement is provided for your protection. Be sure to read each caution carefully.

CAUTION

This is an example of a caution statement. A caution statement describes a situation that could potentially damage your software or equipment.

2 Overview

2.1 Introduction

The ADS1299EEG-FE is intended for evaluating the ADS1299 low-power, low noise 24-bit, simultaneously sampling, eight-channel front-end for EEG applications. The digital SPI™ control interface is provided by the MMB0 Modular EVM motherboard (Rev. D or higher) that connects to the ADS1299EEG FE evaluation board (Rev A). The ADS1299EEG-FE (see [Figure 1](#)) is **NOT** a reference design for EEG applications; rather, its purpose is to expedite evaluation and system development. The output of the ADS1299 yields a raw, unfiltered EEG signal.

The MMB0 motherboard allows the ADS1299EEG-FE to be connected to the computer via an available USB port. This manual shows how to use the MMB0 as part of the ADS1299EEG-FE, but does not provide technical details about the MMB0 itself.

Throughout this document, the abbreviation *EVM* and the term *evaluation module* are synonymous with the ADS1299EEG-FE.

2.2 Supported Features

Hardware Features:

- Configurable for bipolar or unipolar supply operation
- Configurable for internal and external clock and reference via jumper settings
- Configurable for dc-coupled inputs
- External bias electrode drive
- Option to provide a common reference to all channels negative terminals.
- Option to select any electrode as reference electrode
- Option to choose any electrode as bias electrode
- External shield drive amplifier

Software Features:

- Analysis tools including a virtual oscilloscope, histogram, FFT.
- Data export for post-processing of raw EEG data

2.3 Features Not Supported in Current Version

NOTE:

The following features are NOT SUPPORTED by the current version of the evaluation kit.

- Real-time data processing
- AC lead-off detection filters

2.4 ADS1299EEG-FE Hardware

[Figure 1](#) shows the hardware included in the ADS1299EEG-FE kit. Contact the factory if any component is missing. Also, it is highly recommended that you check the TI website at <http://www.ti.com> to verify that you have the latest software.

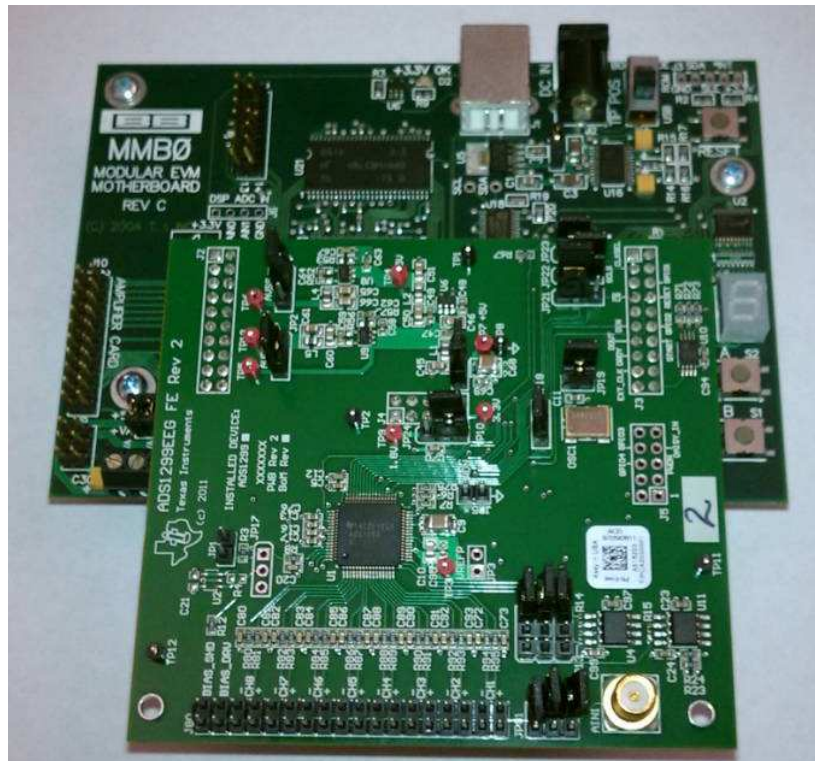


Figure 1. ADS1299EEG-FE Kit

The complete kit includes the following items:

- ADS1299EEG FE printed circuit board (PCB), Rev A
- MMB0 (Modular EVM motherboard, Rev D or higher)
- Universal ac to dc wall adapter, 120V to 240V ac to +6V dc

2.5 Factory Default Jumper Settings

Table 1. Factory Default Jumper Settings

Jumper Name	Settings	Comment
JP1	Not Installed	Used for programmable bias drive.
JP2	2-3	Unipolar analog supply (AVDD = 5V)
JP3	Not Installed	Related to external reference generation circuitry
JP4	1-2	5V supply to board
JP5	Not Installed	Option to provide hardware PWDN signal.
JP6	1-2	BIAS_ELEC to onboard midsupply
JP7	1-2	Route REF_ELEC to buffer input (buffer output is not used by default)
JP8	1-2	Route REF_ELEC directly to SRB1
JP17	Not Installed	Related to shield drive circuitry
JP18	2-3	Clock from Oscillator on the EVM
JP19	1-2	Power for Oscillator on the EVM
JP20	1-2	Unipolar supply (AVSS = 0V)
JP21	1-2	
JP22	2-3	
JP23	1-2	CLKSEL = 0
JP24	2-3	Digital supply (DVDD = 3.3)

Table 1. Factory Default Jumper Settings (continued)

Jumper Name	Settings	Comment
JP25	1-2/ 3-4/5-6	<ul style="list-style-type: none"> – BIAS_ELEC connected to all INPs – BIAS_ELEC connected to all INMs – BIAS_ELEC shorted to REF_ELEC which connects to SRB1
J6	5-6/ 7-8/ 9-10/ ... 32-34 / 35-36	connect jumpers on all channels

3 Software Installation

3.1 Minimum Requirements

Before installing the software that is intended for use with the EVM kit, verify that your PC meets the minimum requirements outlined in this section.

3.1.1 Required Setup for ADS1299EEG-FE Software

Install the software on a PC-compatible computer that meets these specifications:

- Pentium III®/ Celeron® processor, 866MHz or equivalent
- Minimum 256MB of RAM (512MB or greater recommended)
- USB 1.1-compatible input
- Hard disk drive with at least 200MB free space
- Microsoft® Windows® XP operating system with SP2 (Windows Vista and Windows 7 are **NOT** supported at this time)
- Mouse or other pointing device
- 1280 x 960 minimum display resolution

3.2 Installing the Software

CAUTION

Do not connect the ADS1299EEG-FE hardware before installing the software on a suitable PC. Failure to observe this caution may cause Microsoft Windows to not recognize the ADS1299EEG-FE.

The latest software is available from the TI web site at www.ti.com/ads1299. Check the ADS1299 Product Folder on the TI web site regularly for updated versions.

To install the ADS1299 software, click on the executable shown in [Figure 2](#). Then follow the prompts illustrated in [Figure 3](#) through [Figure 7](#).

Name	Size	Type
 ads1299-eeg-fe-1.0.0.exe	159,612 KB	Application

Figure 2. Executable to Run ADS1299 Software Installation

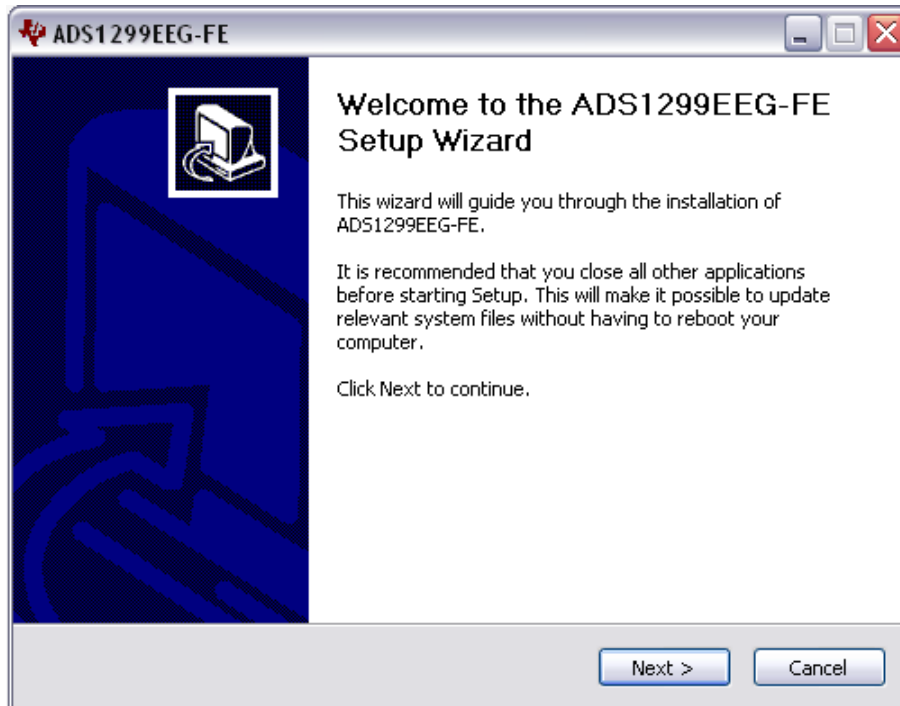


Figure 3. Initialization of ADS1299EEG-FE

You must accept the license agreement (shown in [Figure 4](#)) before you can proceed with the installation.

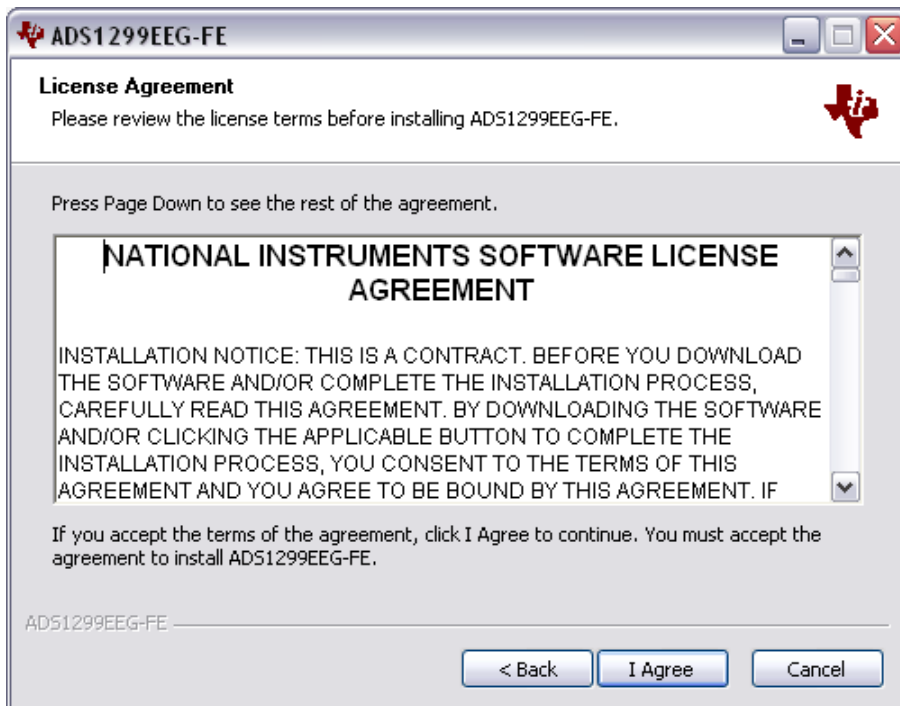


Figure 4. License Agreement

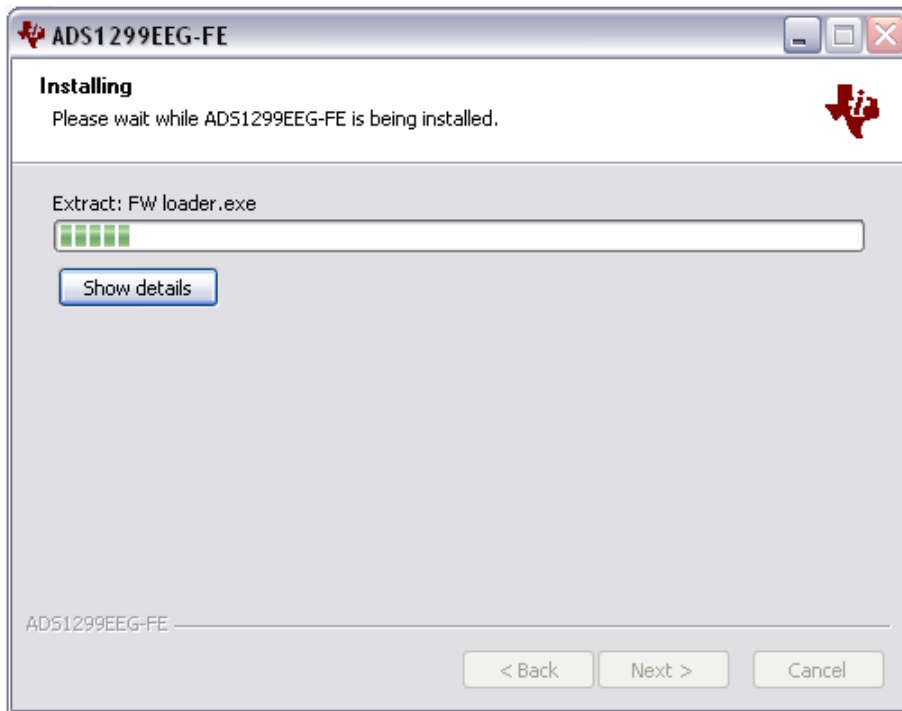


Figure 5. Installation Process

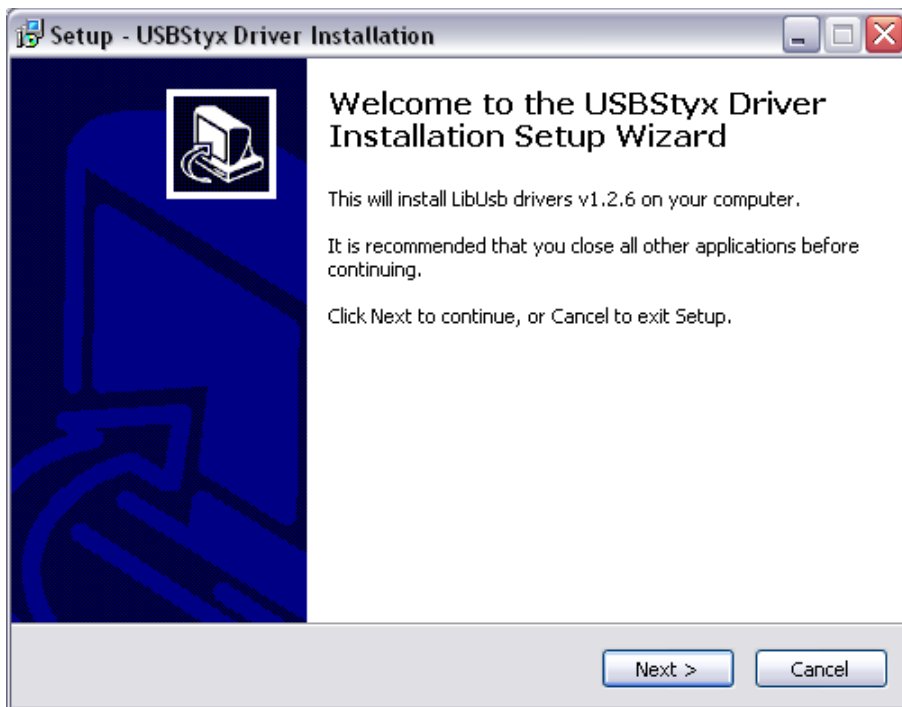


Figure 6. USBStyx Driver Preinstallation

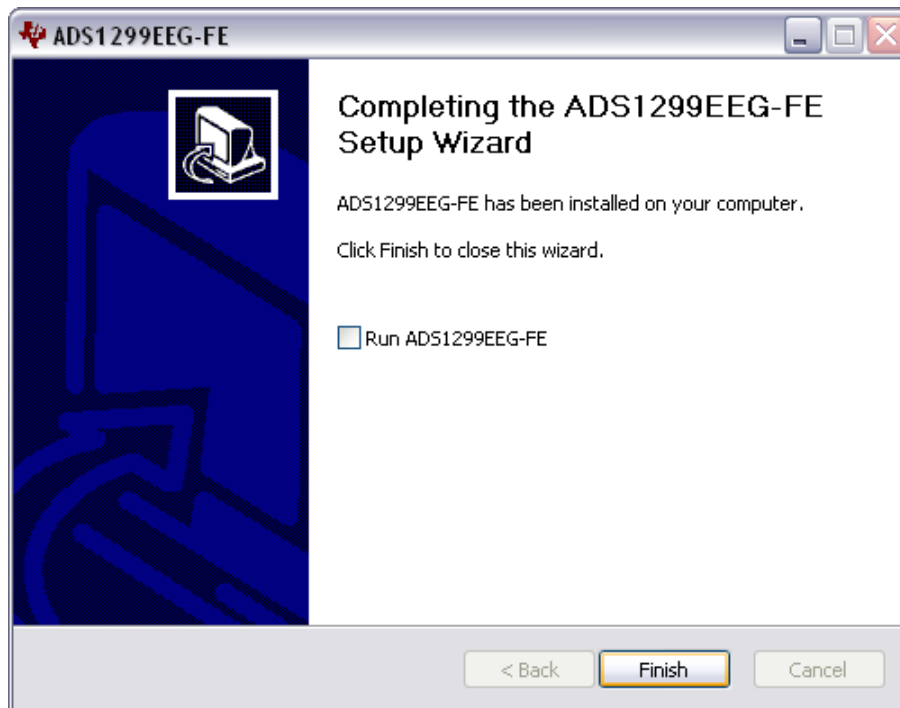


Figure 7. Completion of ADS1299 Software Installation

3.3 Install the ADS1299 EVM Hardware Drivers

Apply power to the MMB0 using the supplied wall mount power supply and connect the MMB0 to your PC via any available USB port. There are two USB drivers which will be installed. Follow the steps shown in the figures below to install the USB drivers.

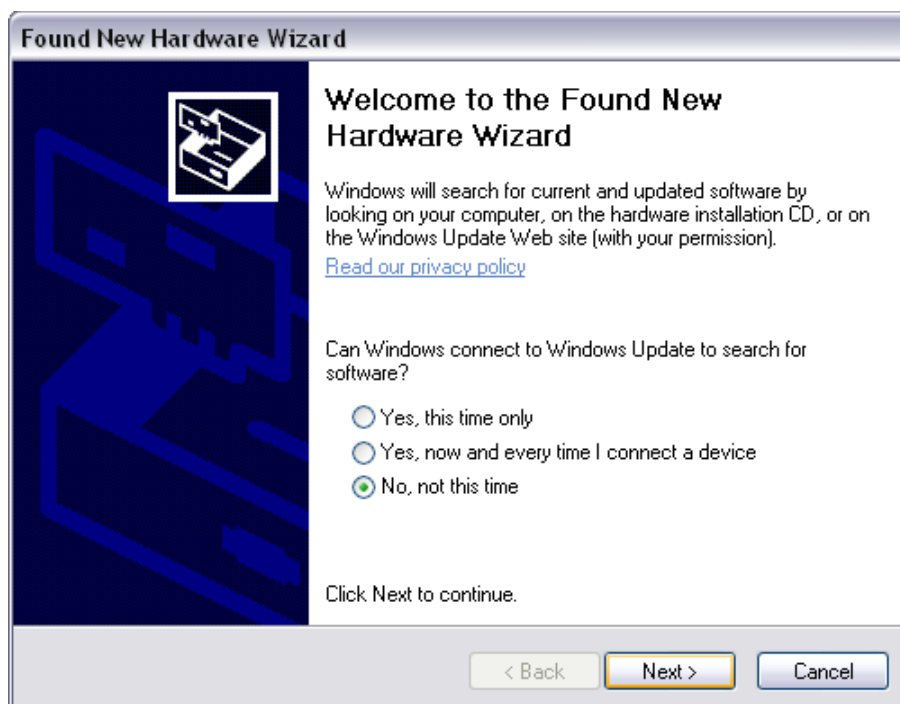


Figure 8. New Hardware Wizard

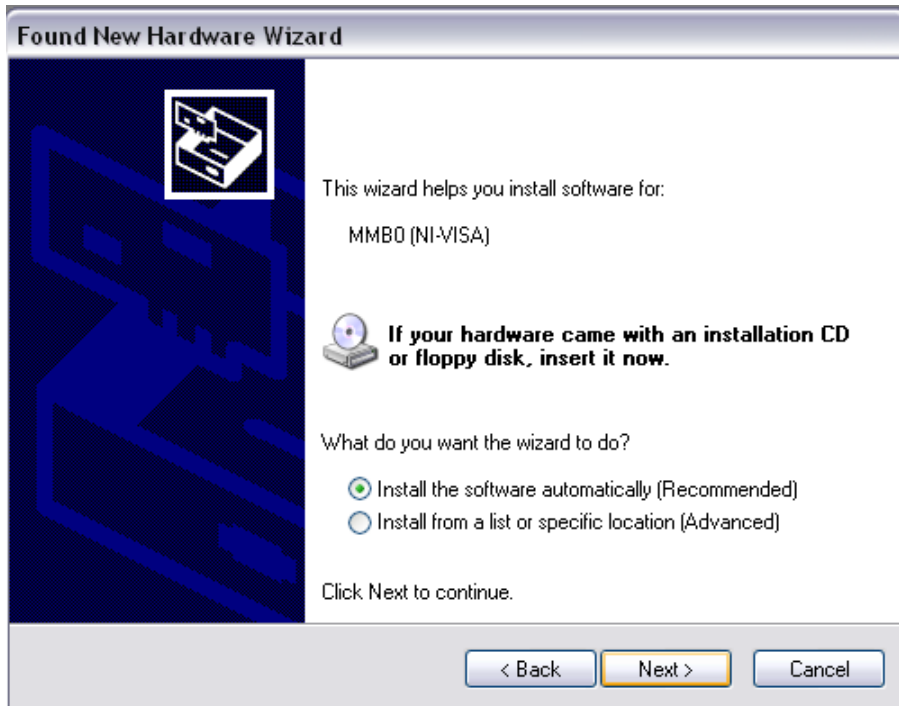


Figure 9. New Hardware Wizard Screen 3

Click Next and allow the wizard to find and install the driver.

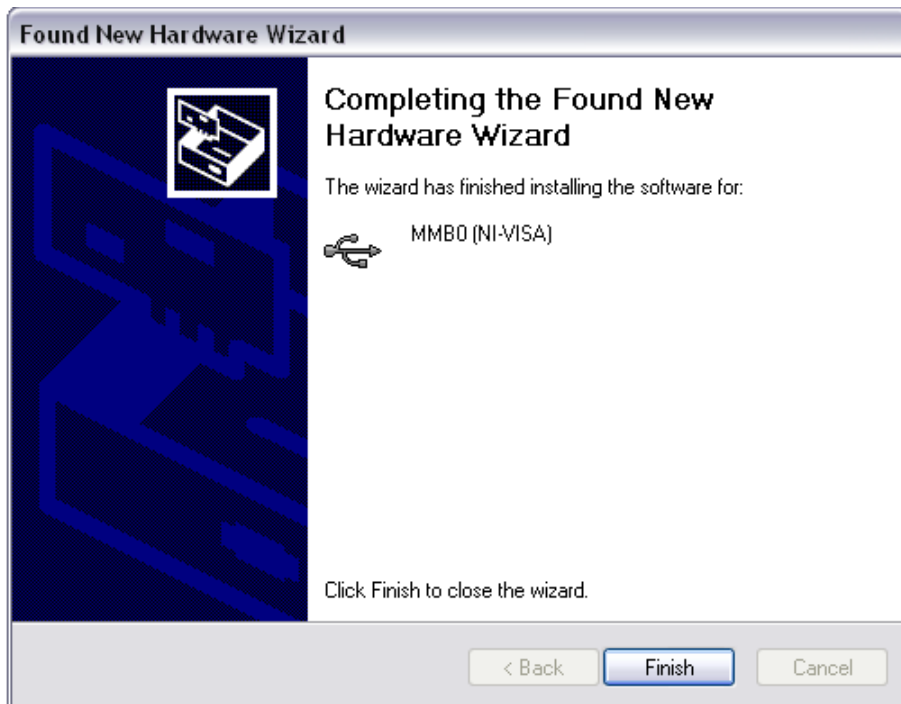


Figure 10. Completion of the Initial USB Drive

3.3.1 Initial Launch of the ADS1299EEG FE Software

Launch ADS1299EEG FE software from the program menu. The software will load and begin downloading firmware to the processor on data capture card (MMB0). Once the firmware is loaded and running, it will cause the USB to re-enumerate.



Figure 11. Second "New Hardware" Wizard

Click Next

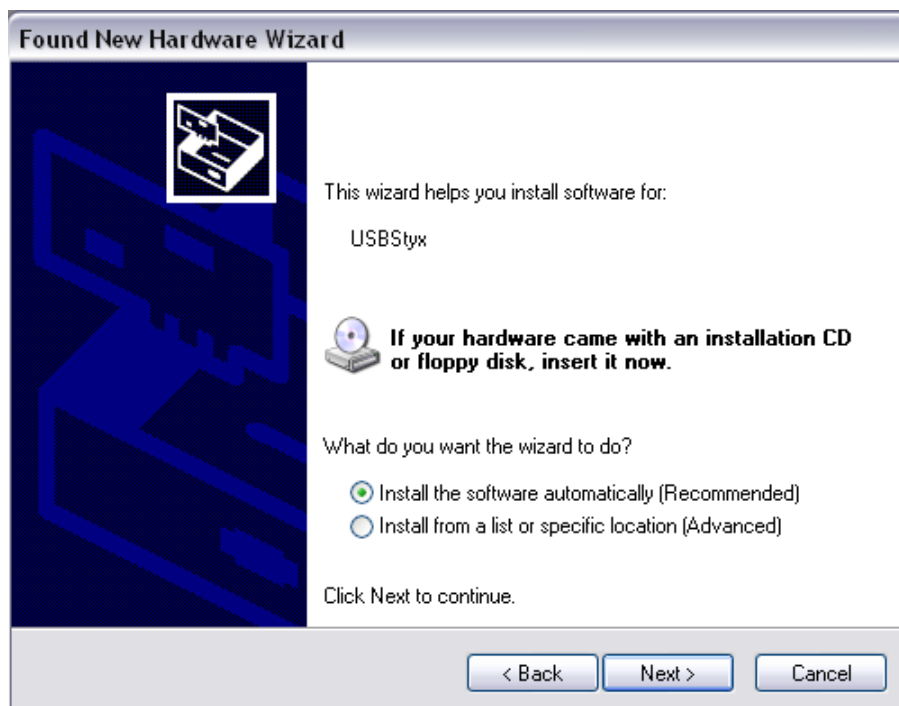


Figure 12. Install the USBStyx Driver

By this time the ADS1299EEG FE software will have prompted the user with an error message. Click 'OK'. It may be necessary to close the program, power cycle the ADS1299EEG FE and restart the program. This process may need to be done again should you plug the ADS1299EEG FE into a different USB port on your computer.

4 ADS1299EEG-FE Daughter Card Hardware Introduction

CAUTION

Many of the components on the ADS1299EEG-FE are susceptible to damage by electrostatic discharge (ESD). Customers are advised to observe proper ESD handling procedures when unpacking and handling the EVM, including the use of a grounded wrist strap, bootstraps, or mats at an approved ESD workstation. An electrostatic smock and safety glasses should also be worn.

The ADS1299 ECG front-end evaluation board is configured to be used with the TI MMB0 data converter evaluation platform. The key features of the ADS1299 system on a chip (SOC) are:

- Eight integrated INAs and eight 24-bit high-resolution ADCs
- Low channel noise of 1 μ Vpp for 65Hz bandwidth
- Low power consumption (5mW/channel)
- Data rates of 250SPS to 16kSPS
- 5V unipolar or bipolar analog supply, 1.8V to 3.6V digital supply.
- DC /AC Lead off detection
- On-chip oscillator
- On-chip bias amplifier
- Versatile MUX to enable programmable reference and bias electrode
- SPI data interface

The ADS1299EEG-FE can be used to evaluate the performance of ADS1299 chip. Users can provide any type of signal directly to the ADS1299 through a variety of hardware jumper settings (J6, JP25). External support circuits are provided for testing purposes such as external references, clocks, lead-off resistors, and shield drive amplifiers.

[Figure 13](#) shows the functional block diagram with important jumper names for the EVM.

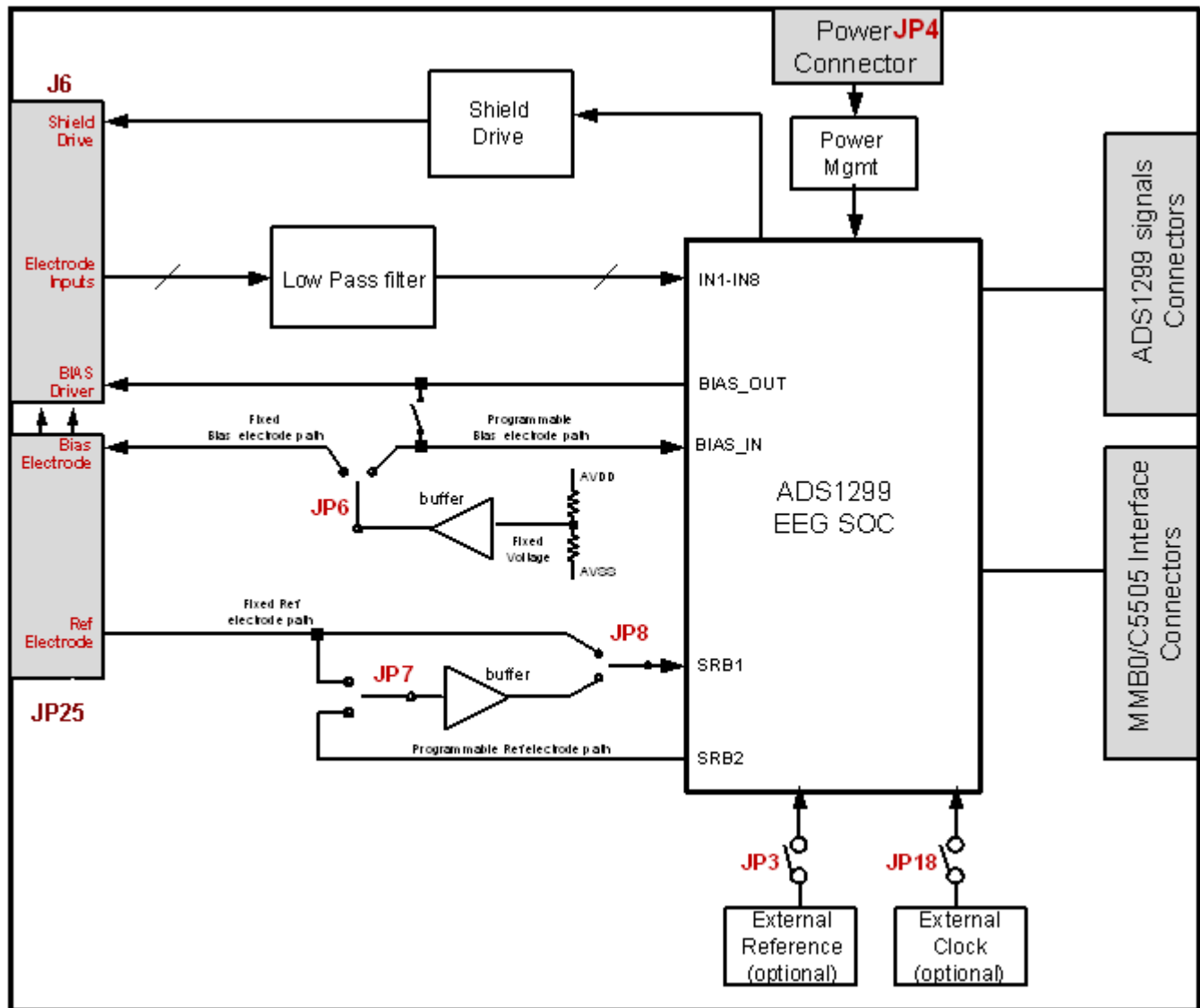


Figure 13. ADS1299 EEG-FE Front End Block Diagram

The ADS1299EEG-FE board is a four-layer circuit board. The board layout is provided in [Section 9](#); the schematics are appended to this document. The following sections explain some of the hardware settings possible with the EVM for evaluating the ADS1299 under various test conditions.

4.1 Power Supply

The EEG front-end EVM mounts on the MMB0 EVM with connectors J2, J3 and J4. The main power supplies (+5V, +3V and +1.8V) for the front-end board are supplied by the host board (MMB0) through connector J4. All other power supplies needed for the front-end board are generated on board by power management devices. The EVM is shipped in +5V unipolar supply configuration.

The ADS1299 can operate from +5.0V analog supply (AVDD/AVSS) and +1.8V to +3.0V digital supply (DVDD). A bipolar analog supply ($\pm 2.5V$) can be used as well. The analog power consumption of the front-end board can be measured by the current flowing through the JP2 jumper and JP20 jumper. The ADS1299 can be powered down by shorting jumper JP5.

Test points TP5, TP6, TP7, TP8, TP9, TP10, and TP14 are provided to verify that the host power supplies are correct. The corresponding voltages are shown in [Table 2](#).

Table 2. Power Supply Test Points

Test Point	Voltage
TP7	+5.0V
TP9	+1.8V
TP10	+3.3V
TP5	+5.0V
TP13	+2.5V
TP6	-2.5V
TP8	GND

The front-end board must be properly configured in order to achieve the various power-supply schemes. The default power-supply setting for the ADS1299EEG-FE is a unipolar analog supply of 5V and DVDD of either +3V or +1.8V. [Table 3](#) shows the board and component configurations for each analog power-supply scheme; [Table 4](#) shows the board configurations for the digital supply.

Table 3. Analog Supply Configurations

Power Supplies	Unipolar Analog Supply	Bipolar Analog Supply
	5V	±2.5V
JP2 (AVDD)	2-3 (default)	1-2
JP20 (AVSS)	1-2 (default)	2-3
U8	Don't Care	TPS72325
U9	Don't Care	TPS73225

Table 4. Digital Supply Configurations

DVDD	+3.0V	+1.8V
JP24	2-3 (default)	1-2

4.2 Clock

The ADS1299 has an on-chip oscillator circuit that generates a 2.048MHz clock (nominal). This clock can vary by ±5% over temperature. For applications that require higher accuracy, the ADS1299 can also accept an external clock signal. The ADS1299EEG-FE provides an option to test both internal and external clock configurations. It also provides an option to generate the external clock from either the onboard oscillator or from an external clock source.

The onboard oscillator is powered by the DVDD supply of the ADS1299. Care must be taken to ensure that the external oscillator can operate either with +1.8V or +3.0V, depending on the DVDD supply configuration. [Table 5](#) shows the jumper settings for the three options for the ADS1299 clocks.

Table 5. Clock Jumper Options

ADS1299 Clock	Internal Clock from the ADS1299	Clock from Oscillator on the EVM	External Clock Source
JP18	Not Installed	2-3 (default)	1-2
JP19	Don't Care	1-2	Don't Care
J3- pin 17	Don't Care	Don't Care	External Clock Source

A 2.048MHz oscillator available for +3V and +1.8V DVDD is the FXO-HC735-2.048MHz and SiT8002AC-34-18E-2.048, respectively. The EVM is shipped with the external oscillator enabled.

4.3 Reference

The ADS1299 has an on-chip internal reference circuit that provides reference voltages to the device. Alternatively, the internal reference can be powered down and VREFP can be applied externally. This configuration is achieved with the external reference generator (U3) and driver buffer. The EVM has the footprints for the necessary circuitry, but the components are not installed at the factory.

The external reference voltage can be set to 4.096V. Measure TP3 to make sure the external reference is correct. The setting for the external reference is described in [Table 6](#).

Table 6. External Reference Jumper Options

ADS1299 Reference	Internal Reference	External Reference
	VREF = 4.5V	VREFP = 4.096V
JP3	Not Installed	Installed

The software uses the VREF value entered in the Global Registers control tab (refer to [Section 5.2](#)) to calculate the input-referred voltage value for all the tests. The default value is 4.5V. If any other value is used, the user must update this field in the Global Registers control tab.

4.4 Accessing ADS1299 Analog Signals

Some ADS1299 output signals are provided as test points for probing purposes through J5. [Table 7](#) lists the various test signals with the corresponding test points.

Table 7. Test Signals

Signal	J5 Pin Number		Signal
RESERVE	1	2	RESERVE
RESERVE	3	4	RESERVE
GPIO4	5	6	PWDNB
GPIO3	7	8	Daisy_in
AGND	9	10	RESERVE

4.5 Accessing ADS1299 Digital Signals

The ADS1299 digital signals (including SPI interface signals, some GPIO signals, and some of the control signals) are available at connector J3. These signals are used to interface to the MMB0 board DSP. The pin out for this connector is given in [Table 8](#).

Table 8. Serial Interface Pin Out

Signal	J3 Pin Number		Signal
START/CS	1	2	CLKSEL
CLK	3	4	GND
NC	5	6	GPIO1
CS	7	8	RESETB
NC	9	10	GND
DIN	11	12	GPIO2
DOUT	13	14	NC/START
DRDYB	15	16	SCL
EXT_CLK	17	18	GND
NC	19	20	SDA

4.6 Analog Inputs

The ADS1299EEG-FE is designed so that it can be used as a eight channel data acquisition board. Arbitrary input signals can be fed to the ADS1299 by feeding the signal directly at connector J6. Figure 14 shows the input configurations that are available in the EVM.

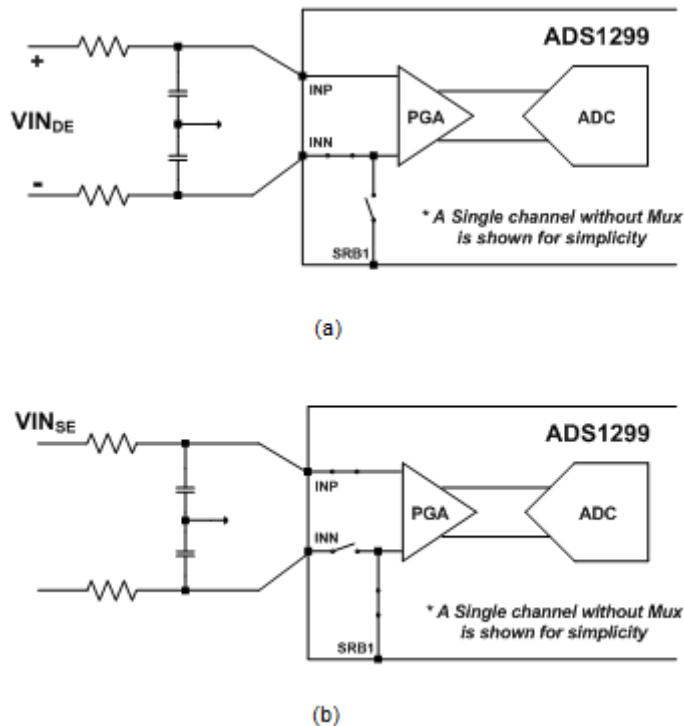


Figure 14. Input Configurations Supported by the EEG-FE a) Differential Inputs b) Single ended inputs

4.6.1 Differential Inputs

To digitize eight differential inputs,

1. Set all jumpers to factory defaults as described in [Section 2.5](#).
2. Remove jumpers from pin 7-36 of J6.
3. Provide the differential inputs on the even pins 8-36 of J6.

While used with differential inputs, care needs to be taken to ensure that the analog inputs are within the input common mode range of the PGA. If the input differential signal is centered around 0V, the ADS1299 needs to be operated with a bipolar supply. Refer to [Section 4.1](#) for details on setting the EVM to operate with a bipolar supply.

4.6.2 Single Ended Inputs

For single ended inputs the measurement can be done with respect to the voltage applied to the SRB1 pin of the ADS1299. To digitize eight single ended inputs,

1. Set all jumpers to factory defaults as described in
2. Remove jumpers from pin 7-36 of J6.
3. Short pin 5 and 6 of JP6. Set the SRB1 bit in the MISC1 register to route the SRB1 pin to the negative input of the channels (refer to [Section 8.3](#) for details). This will route BIAS_ELEC (mid supply) to the negative inputs of the channels through the SRB1 pin.
4. Provide the Single ended inputs to pins 36, 32, 28, 24, 20, 16, 12, 8 of J6 for channels 1-8 respectively.

Apart from providing the option to feed inputs directly at the jumper (for general purpose data acquisition), the ADS1299 EVM provides multiple configurations specific to the EEG application. These configurations are explained in detail in [Section 7](#).

5 Using the Software: ADS1299 Control Registers and GUI

Before starting to use the EVM software, there is one important feature that users should be aware of. The software GUI contains a Save tab that allows all data from any combination of channels to be saved in a given directory location with notes to describe the saved data. [Figure 15](#) shows the Save tab options.

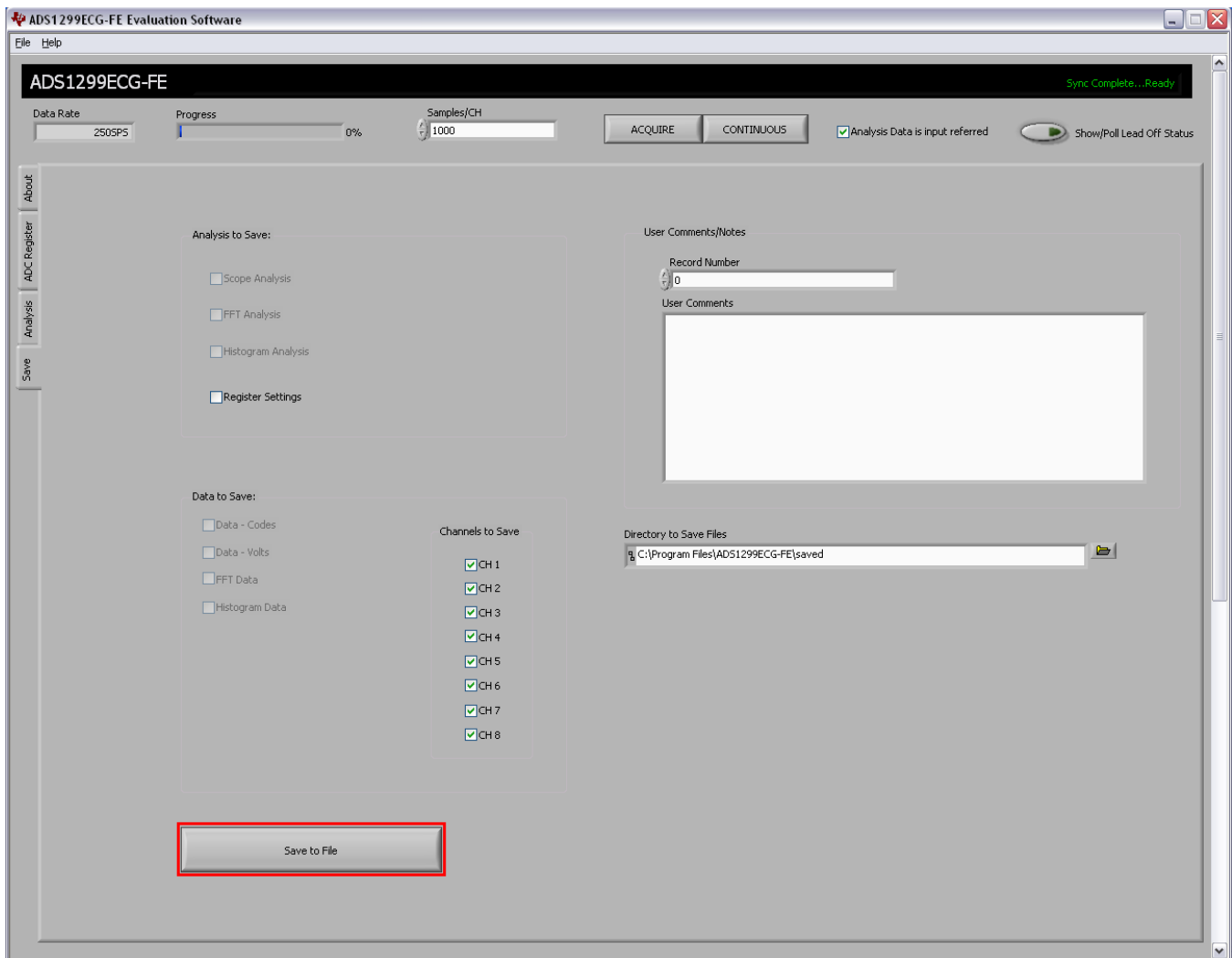


Figure 15. File Save Option Under 'Save' Tab

5.1 Overview and Features

This section provides a quick overview of the various features and functions of the ADS1299EEG-FE software package.

There are four primary tabs across the left side of the GUI:

- About tab: Provides information about the EVM and software version revisions.
- ADC Register tab: Includes all of the control registers for the ADS1299, in a series of related sub-tabs:
 - Channel Registers tab
 - LOFF and BIAS tab

- GPIO and Other Registers tab
- Register Map tab
- Analysis tab: Provides different ways to analyze captured data in the time or frequency domain, with a series of related sub-tabs:
 - Scope tab
 - FFT tab
 - Histogram tab
- Save tab: Provides options for saving data

5.2 Global Channel Registers

The first section under the *Channel Registers*→*Global Channel Registers* tab allows the user to manipulate the entire ADS1299 configuration and lead-off registers. The Global Channel Registers box includes Configuration Register 1 (controls daisy-chain/MRB mode, clock connection, and data rate); Configuration Register 2 (controls internal test source amplitude and frequency); Configuration Register 3 (controls the reference buffer power-up/-down processes, the reference voltage, the bias drive enable/disable, and the bias reference); and the Lead-Off Control Register (controls the comparator threshold and the magnitude and frequency of the lead-off signal). shows the GUI panel to manipulate these registers and the respective settings for each.

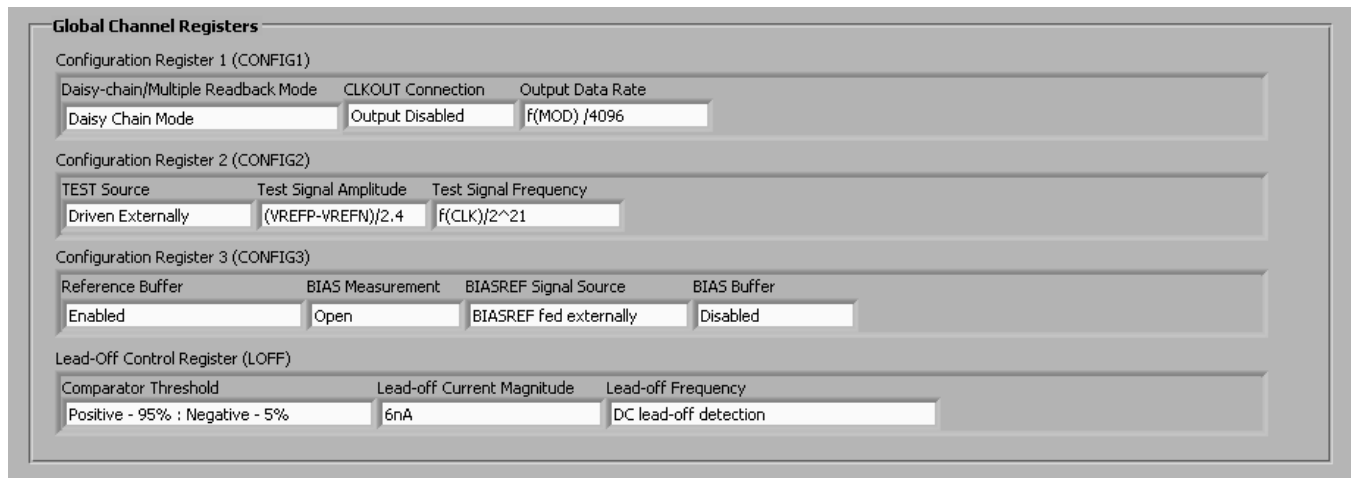


Figure 16. Channel Registers GUI for Global Registers

5.3 Channel Control Registers

The second section under the Channel Registers tab is the *Channel Control Registers* box. This panel allows the user to uniquely configure the front-end MUX for each channel. Additionally, at the top of the Channel Control Registers box is the option to globally set all channels to the same setting. The channel-specific MUX is illustrated in [Figure 17](#). The panel snapshot for the channel control registers is shown in [Figure 18](#). [Figure 19](#) shows the register bit to control the switches which connect all channels negative input to SRB1 pin. This bit is located in “GPIO and other registers” tab.

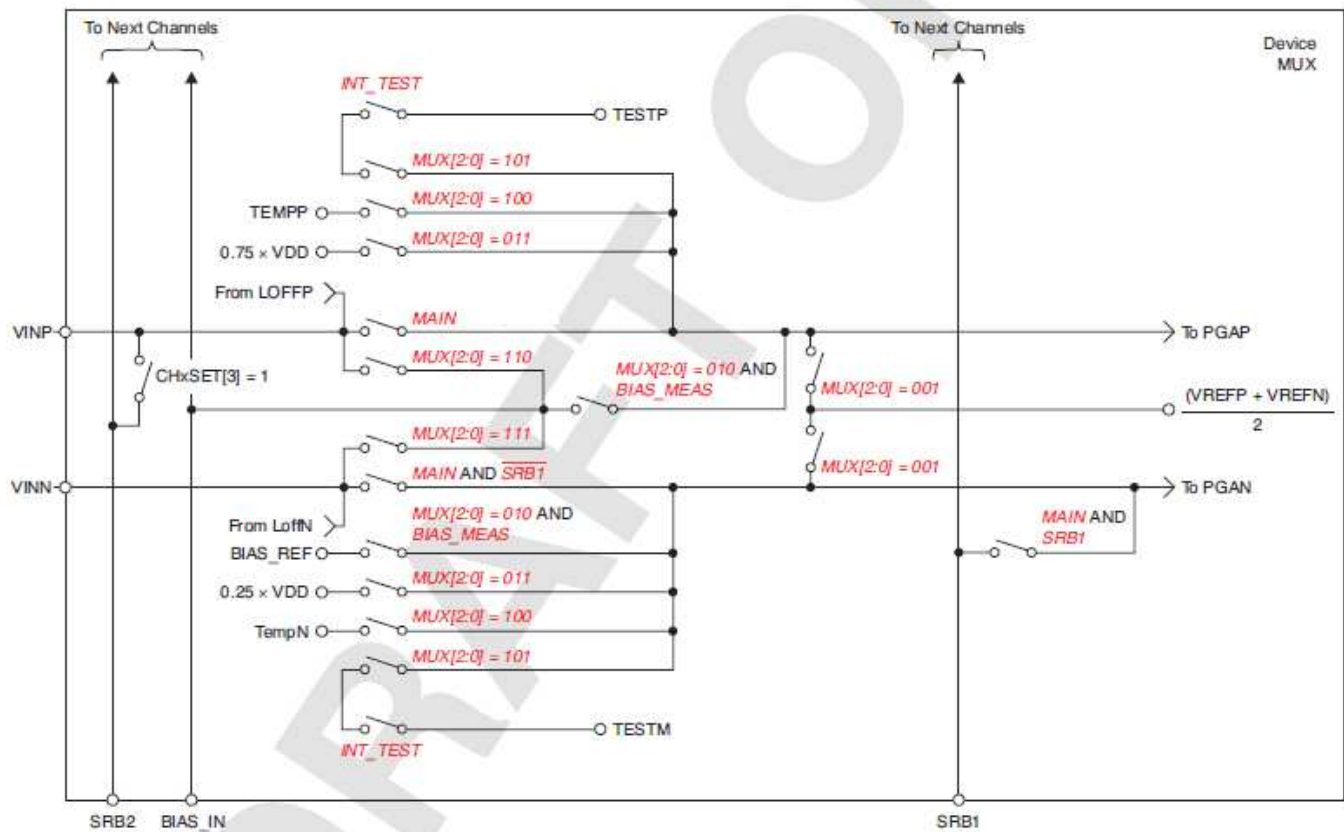


Figure 17. Input Multiplexer for a Single Channel (MAIN = [000 or 110 or 111])

Channel Control Registers

Globally Set Channels

Power-down	PGA Gain	SRB2	Channel Input
Normal Operation	24	Open (Off)	<input checked="" type="checkbox"/> Normal Electrode
			<input type="checkbox"/> Input Short
			<input type="checkbox"/> BIAS Measurement
			<input type="checkbox"/> MVDD
			<input type="checkbox"/> Temperature Sensor
			<input type="checkbox"/> Test Signal
			<input type="checkbox"/> BIAS Positive Electrode Driver
			<input type="checkbox"/> BIAS Negative Electrode Driver

Channel 1 Control Register (CH1SET)

Power-down	PGA Gain	SRB2	Channel Input
Normal Operation	24	Open (Off)	Normal Electrode

Channel 2 Control Register (CH2SET)

Power-down	PGA Gain	SRB2	Channel Input
Normal Operation	24	Open (Off)	Normal Electrode

Channel 3 Control Register (CH3SET)

Power-down	PGA Gain	SRB2	Channel Input
Normal Operation	24	Open (Off)	Normal Electrode

Channel 4 Control Register (CH4SET)

Power-down	PGA Gain	SRB2	Channel Input
Normal Operation	24	Open (Off)	Normal Electrode

Channel 5 Control Register (CH5SET)

Power-down	PGA Gain	SRB2	Channel Input
Normal Operation	24	Open (Off)	Normal Electrode

Channel 6 Control Register (CH6SET)

Power-down	PGA Gain	SRB2	Channel Input
Normal Operation	24	Open (Off)	Normal Electrode

Channel 7 Control Register (CH7SET)

Power-down	PGA Gain	SRB2	Channel Input
Normal Operation	24	Open (Off)	Normal Electrode

Channel 8 Control Register (CH8SET)

Power-down	PGA Gain	SRB2	Channel Input
Normal Operation	24	Open (Off)	Normal Electrode

Figure 18. Channel Control Registers GUI Panel

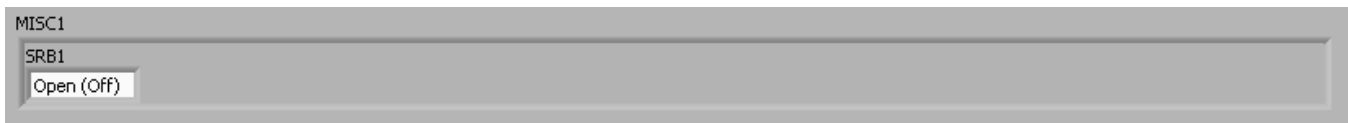


Figure 19. Register Bit for SRB1 Routing

5.3.1 Internal Test Signals Input

Configuration Register 2 controls the signal amplitude and frequency of an internally-generated square wave test signals. The primary purpose of this test signal is to verify the functionality of the front-end MUX, the PGA, and the ADC. The test signals may be viewed on the Analysis→Scope tab, as Figure 20 shows. Detailed instructions for using the Analysis→Scope tab is provided in Section 6.1.1.

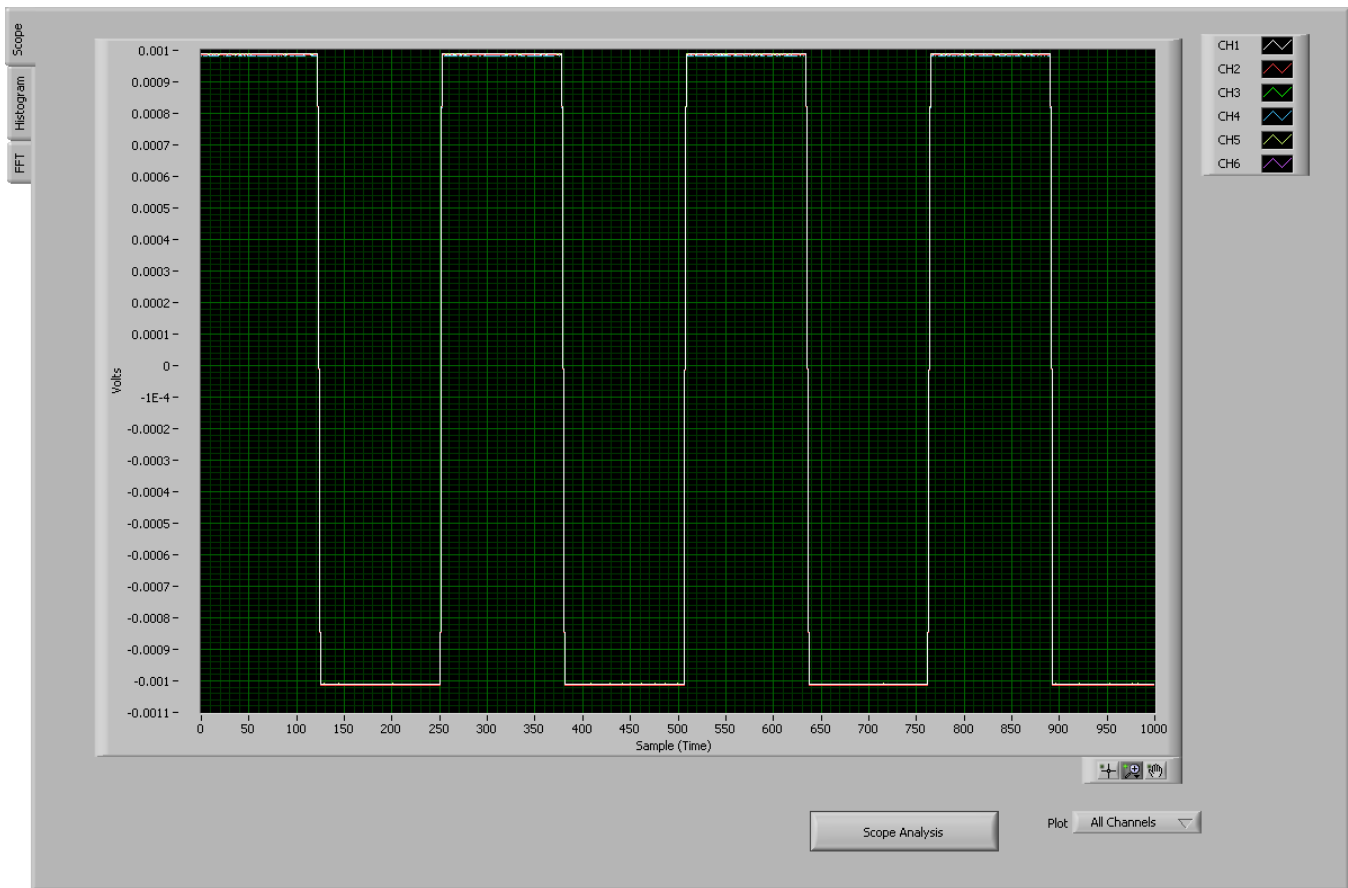


Figure 20. Internal Test Signals

5.3.2 Temperature Sensor and the Scope Tab

The internal temperature sensor on the ADS1299 is shown in . When the internal MUX is routed to the temperature sensor input, the output voltage of the ADC may be converted to a temperature value, using Equation 1.

$$\text{Temperature (}^{\circ}\text{C)} = \left[\frac{\text{Temperature Reading (}\mu\text{V)} - 145,300\mu\text{V}}{490\mu\text{V}/^{\circ}\text{C}} \right] + 25^{\circ}\text{C} \quad (1)$$

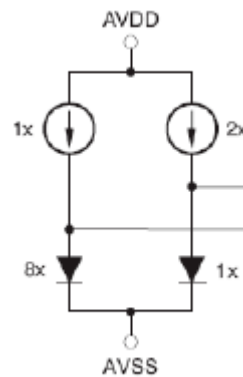


Figure 21. Simplified Diode Arrangement

The output voltage corresponding to a given temperature can be read selecting the Temperature Sensor option on the Channel Control Registers GUI (see Figure 17) and verified using the Analysis→Scope tab as shown in Figure 22. The number 0.146V (on the y-axis) can be calculated as a temperature using Equation 1:

$$\text{Temperature} = (0.146 - 0.145300) / 0.00049 + 25 = 26.4^{\circ}\text{C}$$

It should be noted that the temperature sensor input cannot be used with a gain setting of 24 as it will saturate the PGA output.

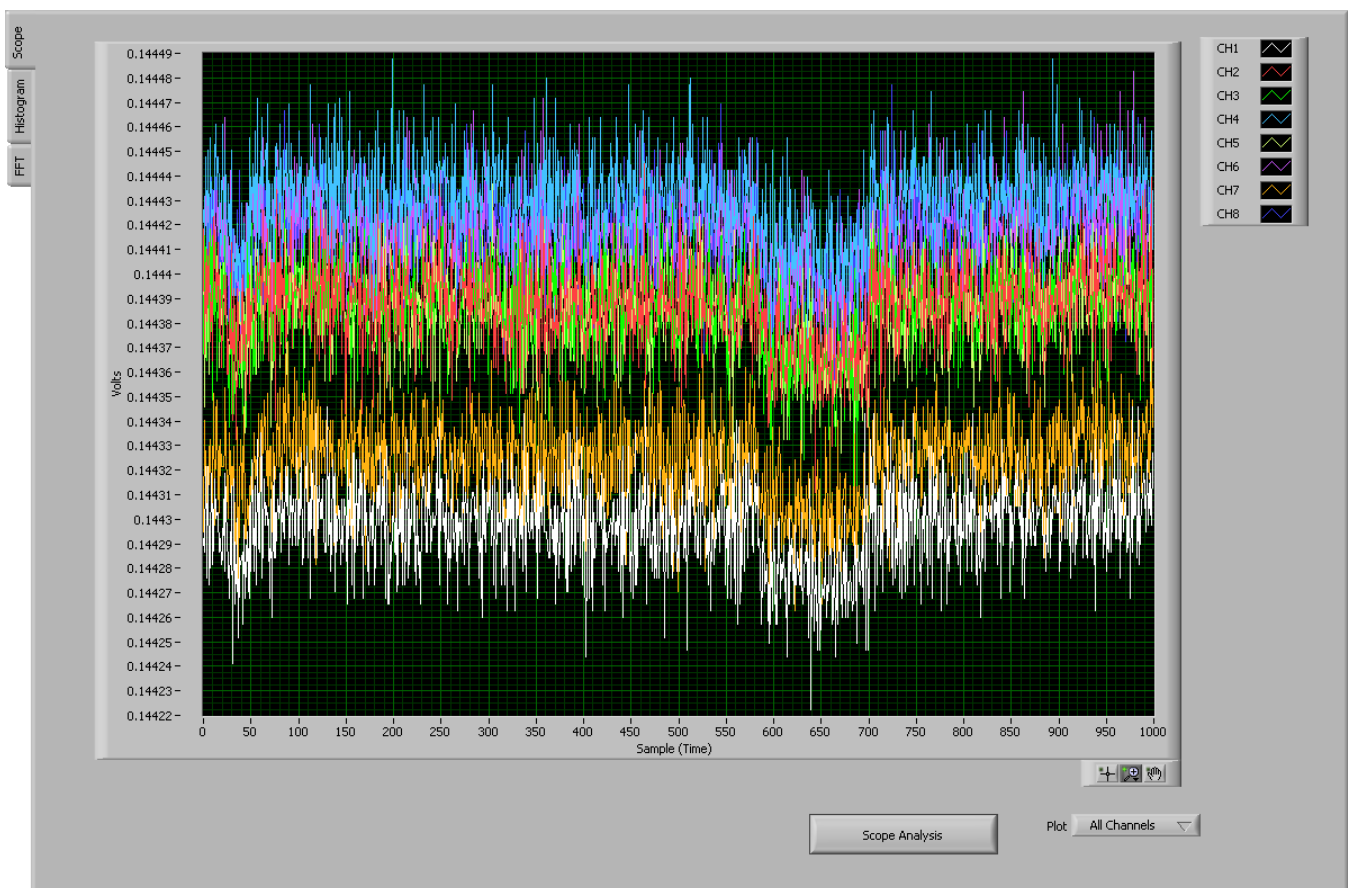


Figure 22. Eight Channel Read of Internal Temperature Data

5.3.3 Normal Electrode Input

The *Normal electrode* input on the MUX routes the inputs (VINP and VINN) differentially to the internal PGA, as [Figure 17](#) illustrates. An exception is if the SRB1 bit is set high. If channel is in Normal electrode mode and SRB1 bit is set high the signal on SRB1 pin is routed to negative inputs of all channels instead of VINN inputs.

5.3.4 MV_{DD} Input and the Scope Tab

The MV_{DD} input option allows the measurement of the supply voltage $V_S = (AV_{DD} + AV_{SS})/2$ for channels 1, 2, 5, 6, 7, and 8; however, the supply voltage for channel 3 and 4 will be $DV_{DD}/4$. As an example, in bipolar supply mode, $AV_{DD} = 3.0V$ and $AV_{SS} = -2.5V$. Therefore, with the PGA gain = 1, the output voltage measured by the ADC will be approximately 0.25V.

5.3.5 Bias Measurement

This measurement takes the voltage at the BIASIN pin and measures it on the PGA with respect to $(AV_{DD} + AV_{SS})/2$ or BIASREF. This option can be used to give a calibration/test signal to ADS1299 device without connecting the calibration/test signal to the electrodes. The positive signal can be applied to BIASIN pin and the negative input can be applied to the BIASREF pin. More details on this can be found in [Section 7.3](#).

5.3.6 Bias Positive Electrode Drive and Bias Negative Electrode

This option can be used to have a selectable bias electrode. This option routes the signal on BIASIN pin to any of positive or negative pins of the channel inputs.

5.4 GPIO and Other Registers

The GPIO and Other Registers tab, located under the Analysis tab, includes controls for GPIO1 through GPIO4, SRB1 control, pulse mode control and lead off comparators power down. The GPIO registers control four general-purpose I/O pins. [Figure 23](#) illustrates the GPIO Control Register GUI panel.

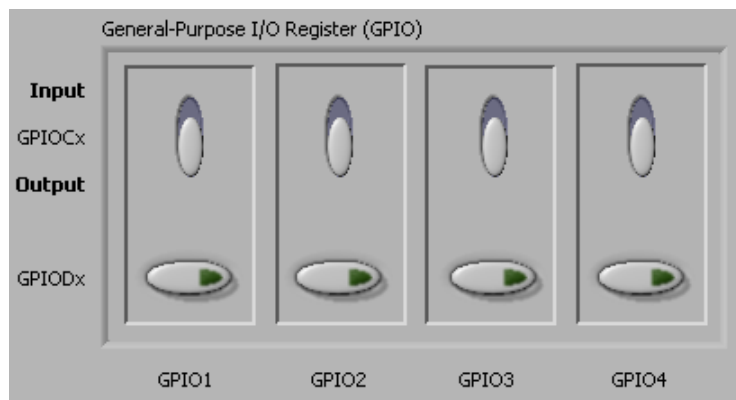


Figure 23. GPIO Control Register GUI Panel

5.5 Lead-Off and BIAS Registers

The Lead-Off Detection and Current Control Registers and the Bias Derivation Control Registers are located under the ADC Register→LOFF and BIAS tab.

5.5.1 Lead-Off Sense (LOFF_SENSP and LOFF_SENSN) Registers

These registers enable lead-off detection for both the positive and negative channels. Figure 24 describes the 4-bit DAC settings to configure the lead-off threshold. Note that the LOFF_FLIPx bits change the direction of the lead-off current if this option is selected. Figure 24 illustrates the connections from the positive and negative inputs to the lead-off comparators. Figure 25 shows the respective GUI panel on the EVM software.

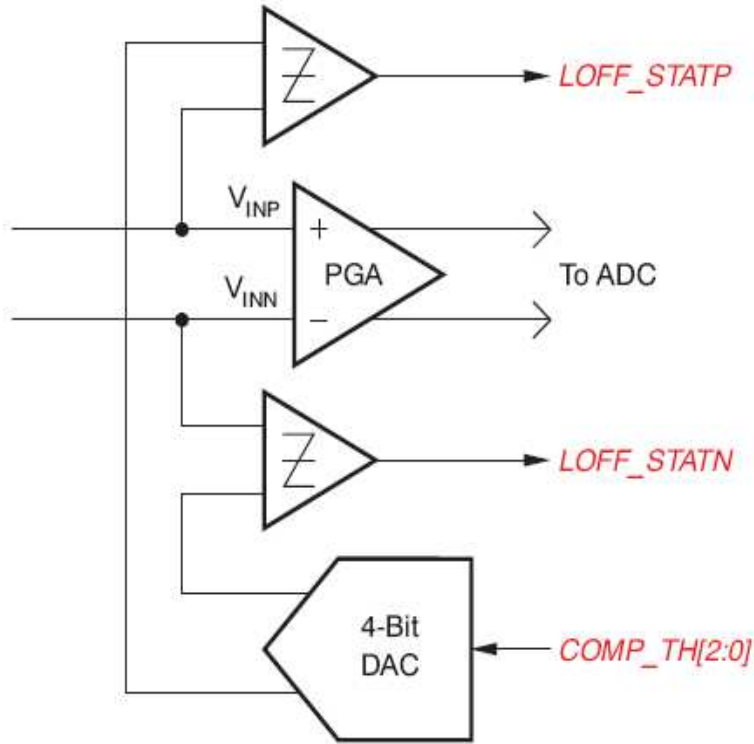


Figure 24. LOFF_STATP and LOFF_STATN Comparators

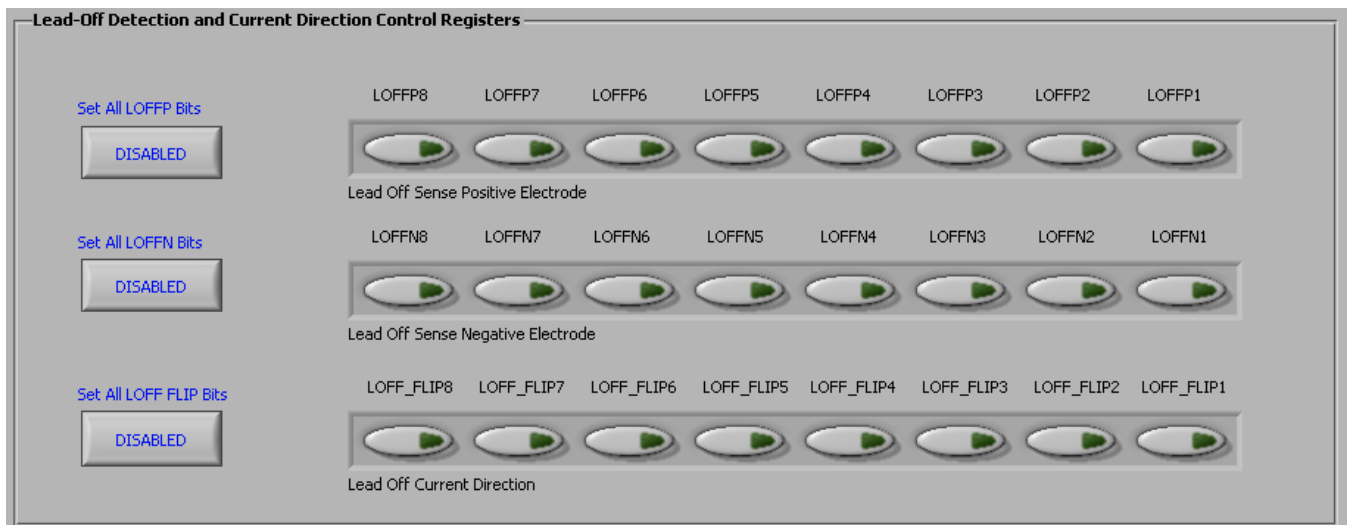


Figure 25. LOFF_SENSP and LOFF_SENSN Registers GUI Panel

5.5.2 Lead-Off Status Registers (LOFF_STATP and LOFF_STATN)

These registers store the output of the lead-off comparator that corresponds with each input. When a lead is disconnected, the corresponding register bit activates low. The GUI for this feature is enabled by clicking in the upper right-hand corner of the EVM software on the Show/Poll Lead-Off Status button. Pressing this button causes a pop-up box that shows the status of the lead-off registers. The GUI shows when a lead is disconnected by turning its bit from green to red. Figure 26 illustrates the Lead-Off Status Registers GUI controls.

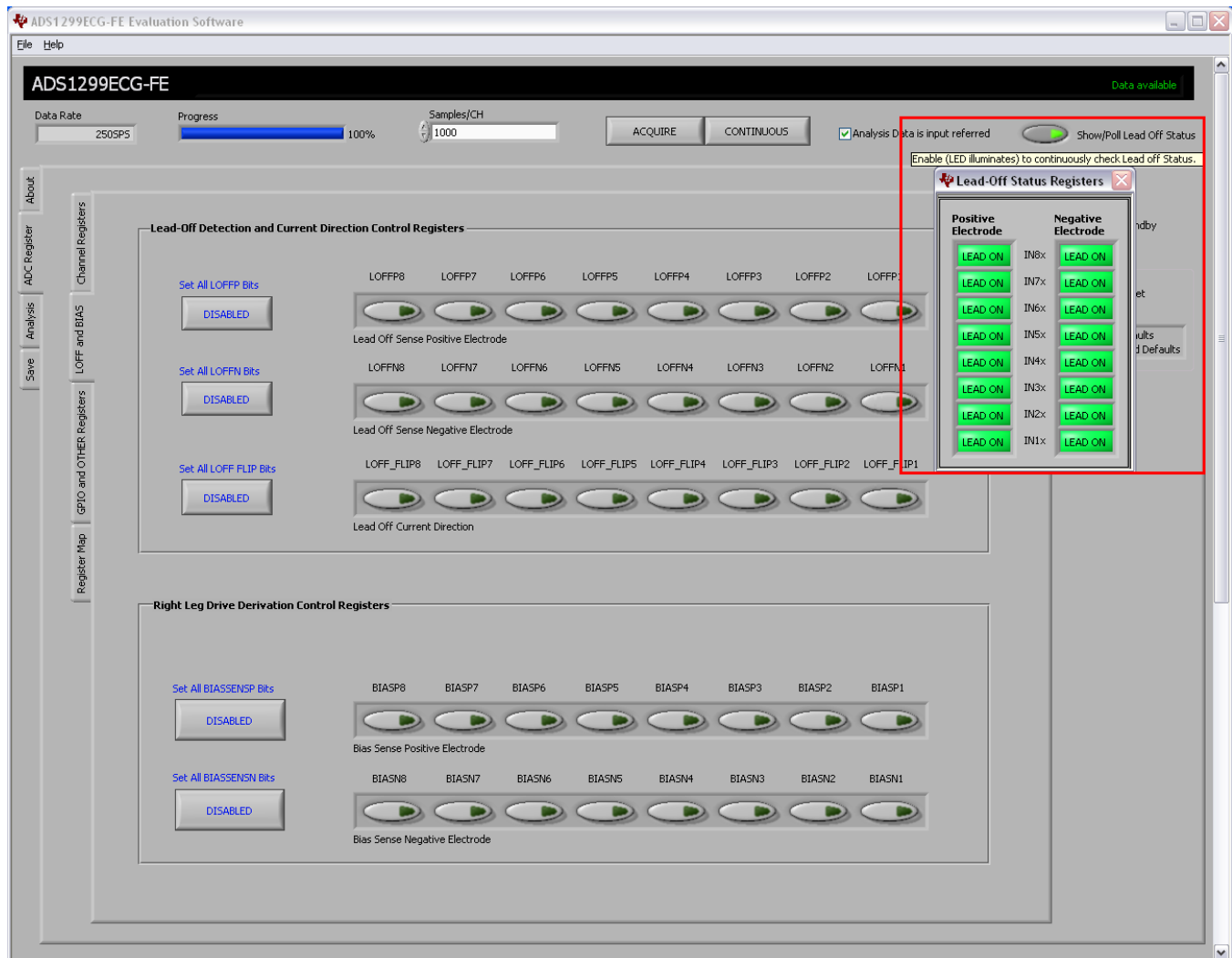


Figure 26. Lead-Off Status Indicator

5.5.3 Bias Drive Derivation Control Registers

The Bias Drive Derivation Control Registers enable the user to set any combination of positive and/or negative electrodes to derive the BIAS voltage that is fed to the internal bias drive amplifier. Figure 27 shows the corresponding GUI controls. The details about bias drive can be found in Section 5.5.

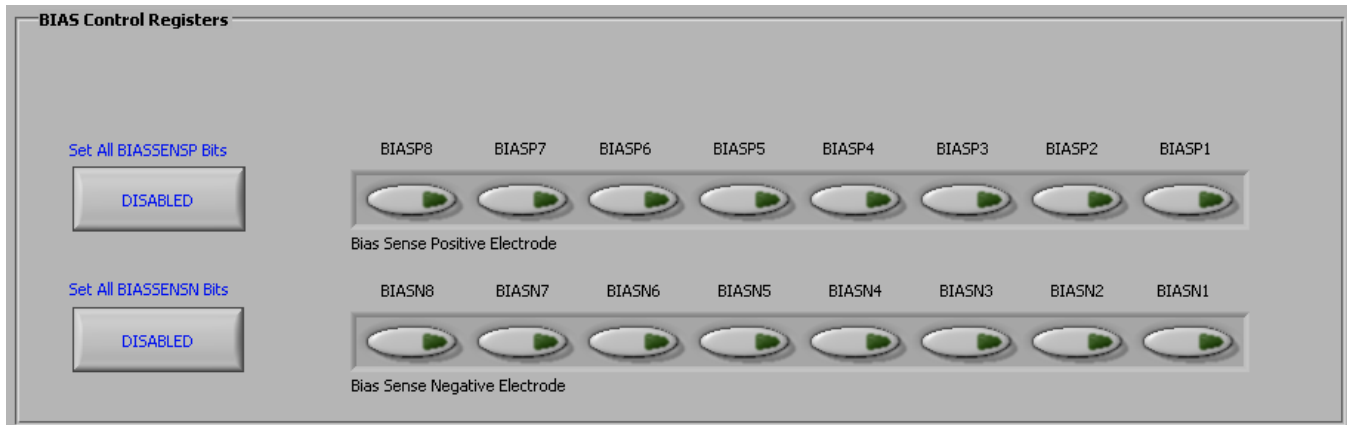


Figure 27. BIAS_SENSP and BIAS_SENSN GUI Panel

5.6 Register Map

The *Register Map* → *Device Registers* tab is a helpful debug feature that allows the user to view the state of all the internal registers. This tab is illustrated in [Figure 28](#).

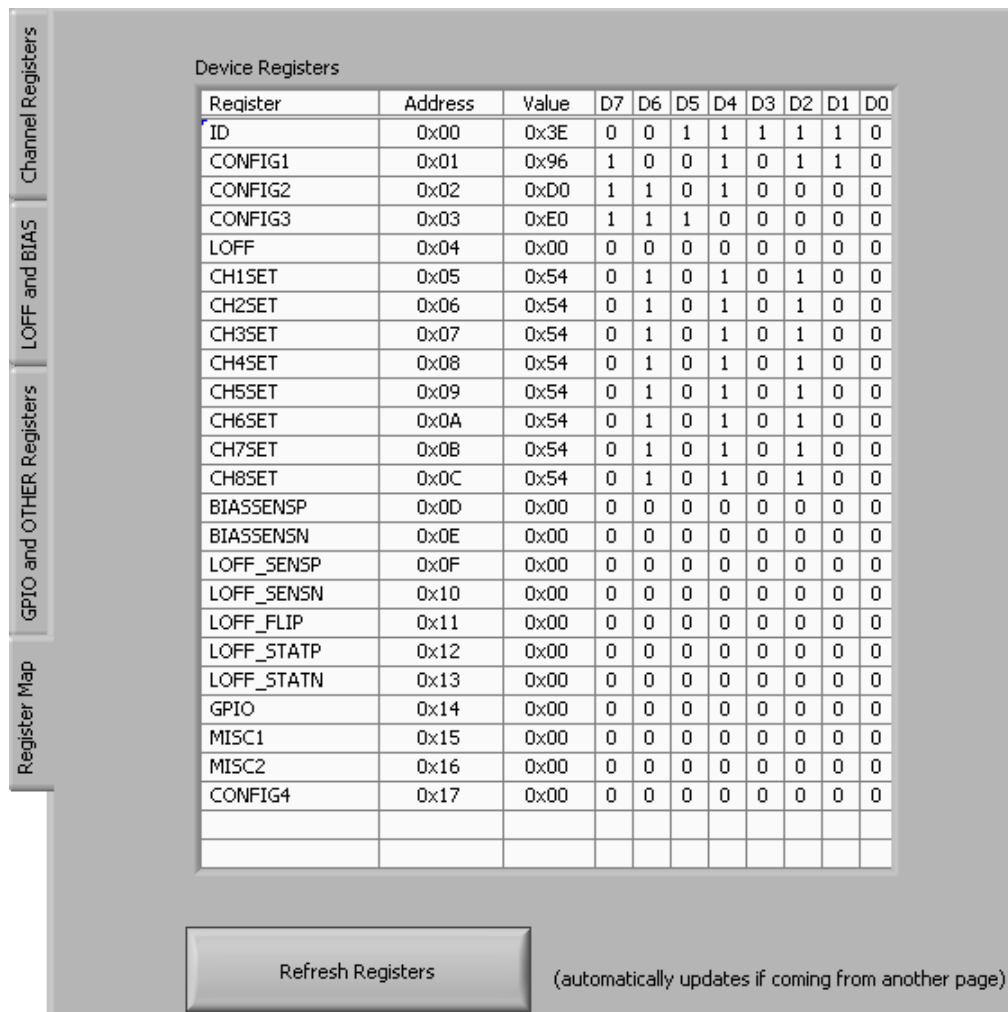


Figure 28. Device Register Settings

6 ADS1299EEG-FE Analysis Tools

Under the Analysis tab in the ADS1299EEG-FE GUI software, there are four different analysis tools shown that enable a detailed examination of the signals selected by the front-end MUX:

- Scope
- Analysis
- Histogram
- FFT

These tools are detailed in the following subsections.

6.1 Scope Tab

6.1.1 Using the Analysis→Scope Tool

The Scope tool (available under the *Analysis* tab) is a very useful means of examining the exact amplitude of the measured input signals from each channel. Additionally, users can determine the noise contribution from each channel at a given resolution, and review the sampling rate, the PGA gain, and the input signal amplitude. [Figure 29](#) illustrates the Scope tool features.

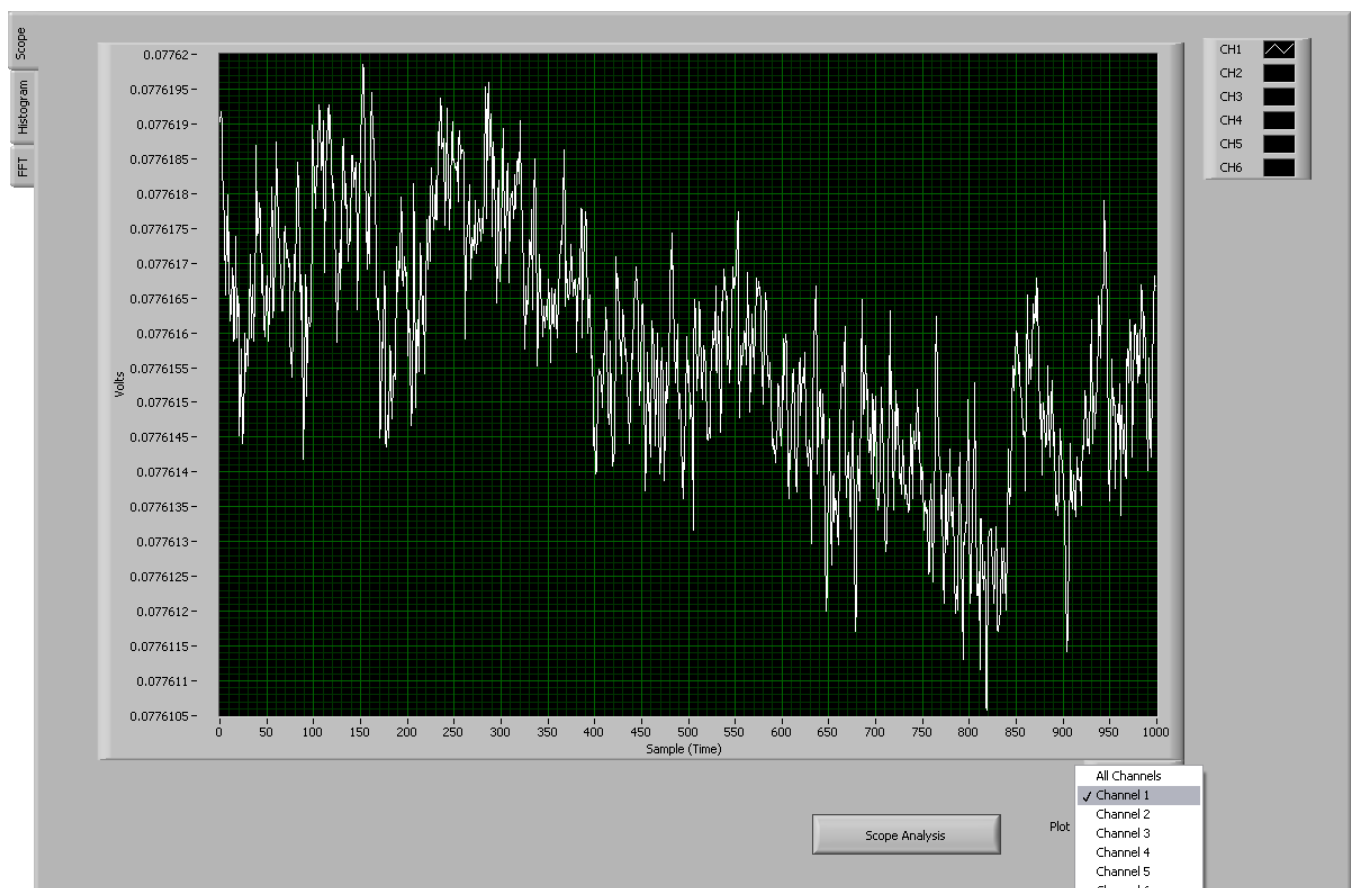


Figure 29. Scope Tool Features

6.1.2 Waveform Examination Tool

The waveform examination tool allows the user to zoom in either on all channels simultaneously or on a single channel. [Figure 30](#) shows an example of the waveform examination tool with the magnifying glass zoomed in on 90 samples.

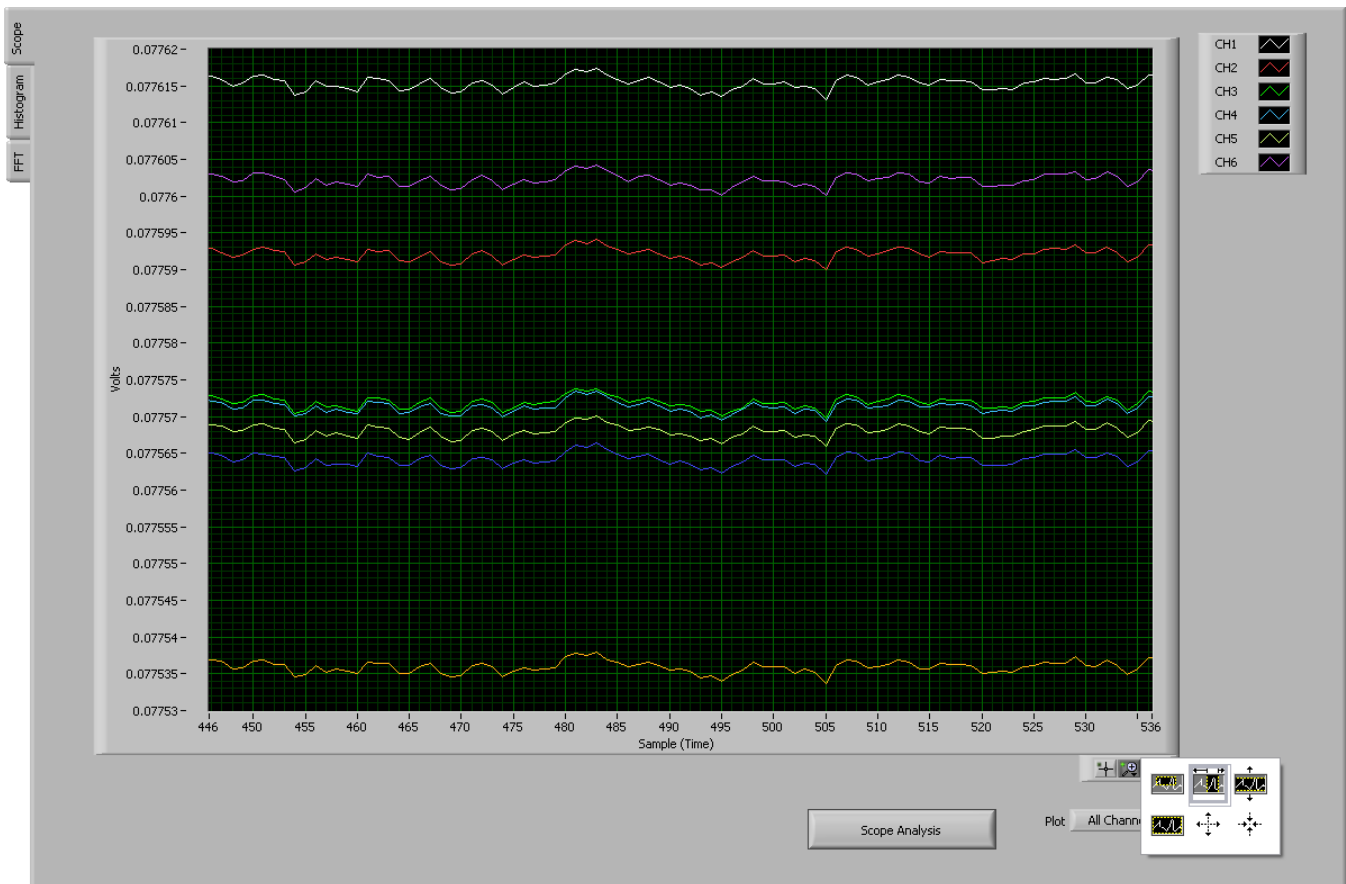


Figure 30. Zoom Option on the Waveform Examination Tool

6.2 Histogram Tool

The Histogram tool is located under the *Analysis*→*Histogram* tab.

6.2.1 Using the Analysis→Histogram Tool

The Analysis→Histogram tool is used primarily to view the bin separation of the different amplitudes of the EEG waveform harmonics. [Figure 31](#) illustrates the histogram output for input short on all channels. The same Signal Zoom analysis may be used on the histogram plots for a more detailed examination of the amplitude bins. The Analysis table gives the mean of the input signal and also the rms and peak-to-peak value of the signal on each channel.

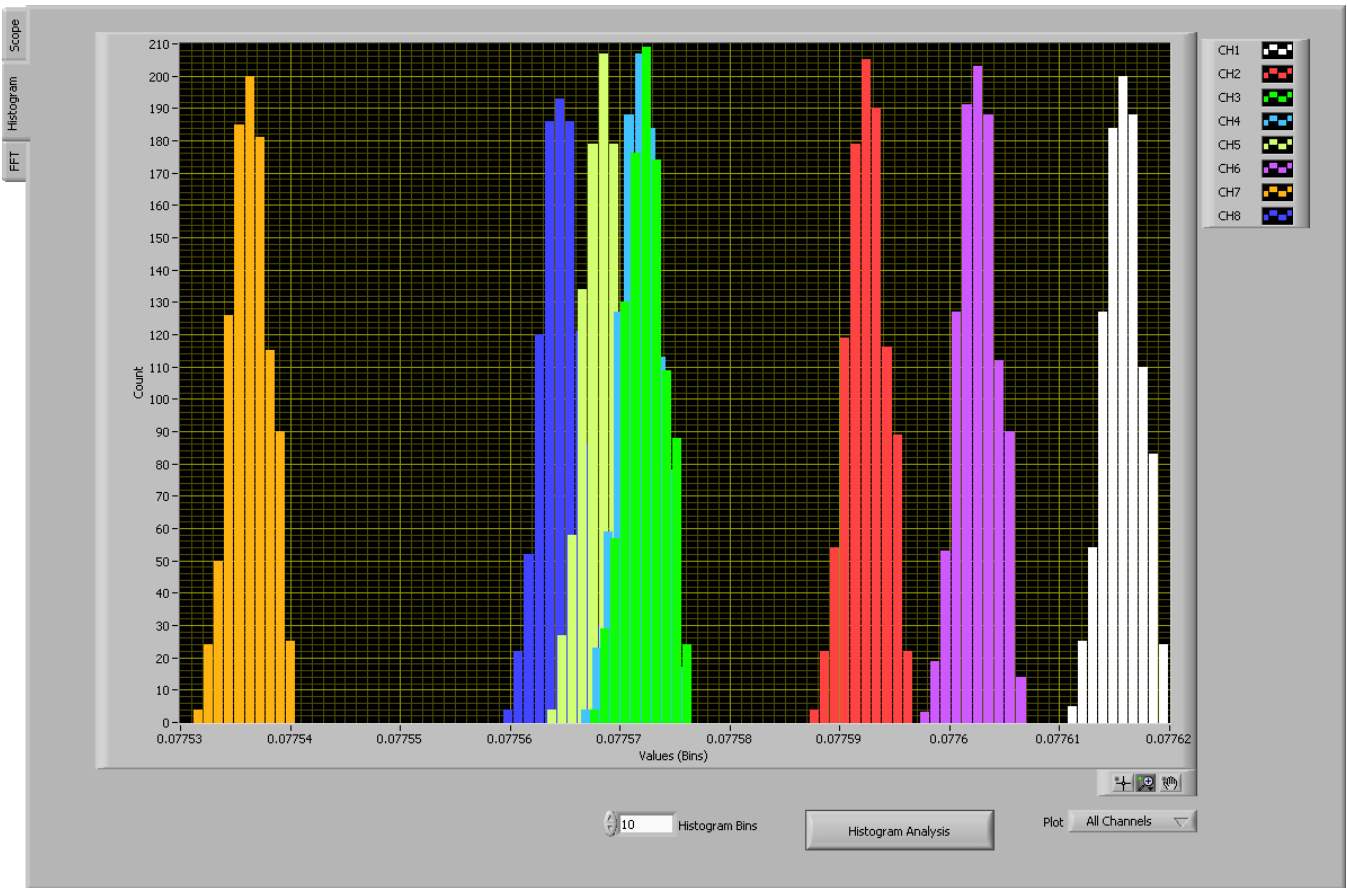


Figure 31. Histogram Bins for Input Short Noise

6.3 FFT Tool

The FFT tool is located under the *Analysis*→*FFT* tab.

6.3.1 Using the Analysis→FFT Tool

The Analysis→FFT tool allows the user to examine the channel-specific spectrum as well as typical figures of merit such as SNR, THD, ENOB, and CMRR. Each feature is numbered below and described in detail in the following subsections. [Figure 32](#) illustrates an Analysis→FFT plot for input short configuration. The explanation of different tabs is explained below.

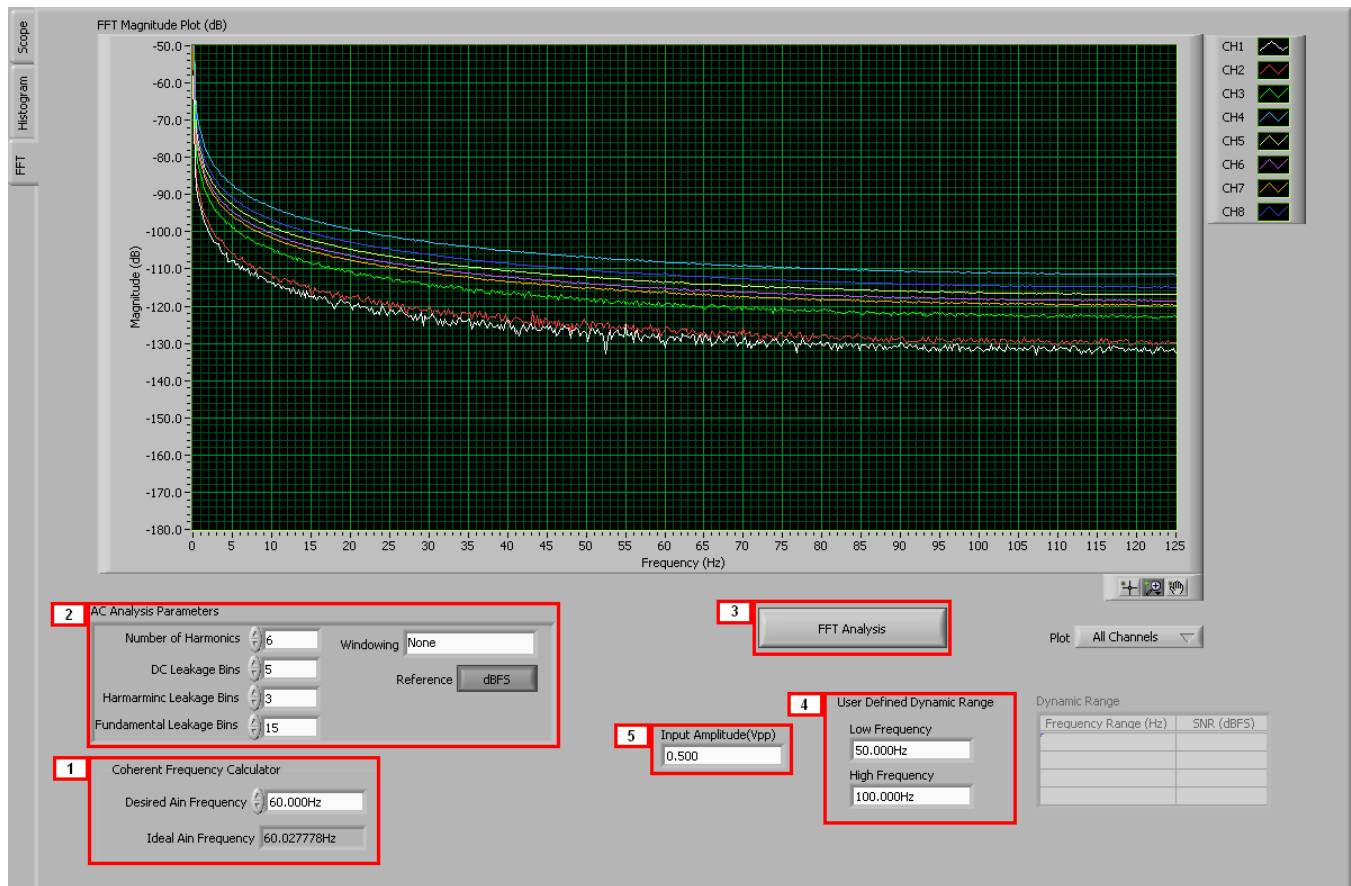


Figure 32. Analysis : FFT Graph of Input Short Test

Coherent Frequency Calculator: 1

Coherent sampling in an FFT is defined as $F_{AIN}/F_{SAMPLE} = N_{WINDOW}/N_{TOTAL}$, where:

- F_{AIN} is the input frequency
- F_{SAMPLE} is the sampling frequency of the ADS1299
- N_{WINDOW} is the number of odd integer cycles during a given sampling period
- N_{TOTAL} is the number of data points (in powers of 2) that is used to create the FFT. If the conditions for coherent sampling can be met, the FFT results for a periodic signal will be optimized. The *Ideal A_{IN} Frequency* is a value that is calculated based on the sampling rate, such that the coherent sampling criteria can be met.

AC Analysis Parameters: 2

This section of the tool allows the user to dictate the number of harmonics, dc leakage bins, harmonic leakage bins, and fundamental leakage bins that are used in the creation of various histograms. Pressing the *Windowing* button, illustrated in Figure 33, allows the user to evaluate the FFT graph under a variety of different windows. Note that pressing the Reference button toggles between dBFS (decibels, full-scale) and dBc (decibels to carrier).

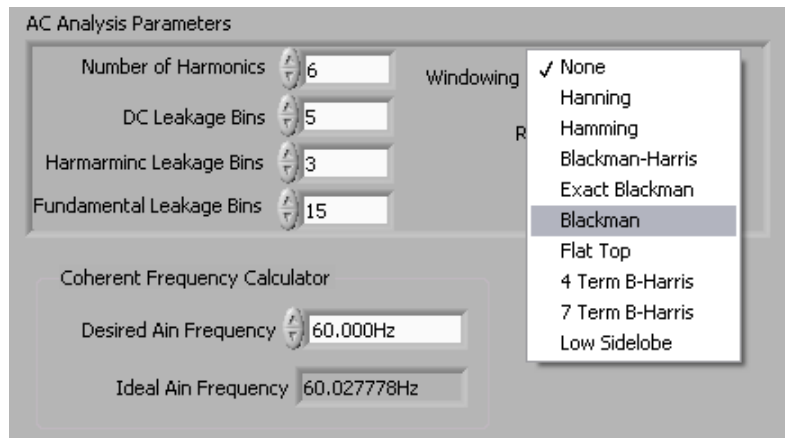


Figure 33. Analysis : FFT : AC Analysis Parameters : Windowing Options

FFT Analysis: 3

Pressing the FFT Analysis button pulls up the window shown in Figure 34. This window can be useful because the different tabulated figures of merit can show more detailed information about the channel-to-channel noise.

	Channel 1	Channel 2	Channel 3	Channel 4	Channel 5	Channel 6	Channel 7	Channel 8
SNR (dBFS)	71.37	76.21	75.04	73.30	67.94	79.41	86.35	88.37
SNRD(dB)	71.37	76.21	75.04	73.29	67.94	79.41	86.35	88.37
THD (dBc)	110.10	115.00	113.71	112.00	106.66	118.02	124.63	127.32
SFDR (dBc)	110.10	115.00	113.71	112.00	106.66	118.02	124.63	127.32
ENOB	11.56	12.37	12.17	11.88	10.99	12.90	14.05	14.39
enob	11.56	12.37	12.17	11.88	10.99	12.90	14.05	14.39
# of Harmonics (SNR)	0.00	0.00	0.00	0.00	0.00	0.00	0.00	0.00
Worst Spur (dB)	27.88	33.90	34.62	38.23	21.55	25.41	28.95	50.38
2nd HD (dBc)	110.10	115.00	113.71	112.00	106.66	118.02	124.63	127.32
3rd HD (dBc)	Inf	Inf	Inf	Inf	Inf	Inf	Inf	Inf
4th HD (dBc)	Inf	Inf	Inf	Inf	Inf	Inf	Inf	Inf
5th HD (dBc)	Inf	Inf	Inf	Inf	Inf	Inf	Inf	Inf
Fundamental (dB)	-60.90	-65.74	-64.57	-62.83	-57.48	-68.90	-75.76	-77.83
PGA Setting	12	12	12	12	12	12	12	12
CMRR	140.69	145.54	144.52	142.78	137.46	148.30	154.63	158.67

Figure 34. Analysis : FFT : FFT Analysis : Input Short Condition

User-Defined Dynamic Range: 4

This section enables the user to examine the SNR of a specific channel within a given frequency band defined by *Low Frequency* and *High Frequency*. The SNR displayed in this window will also show under the *Dynamic Range* heading as Figure 35 illustrates.

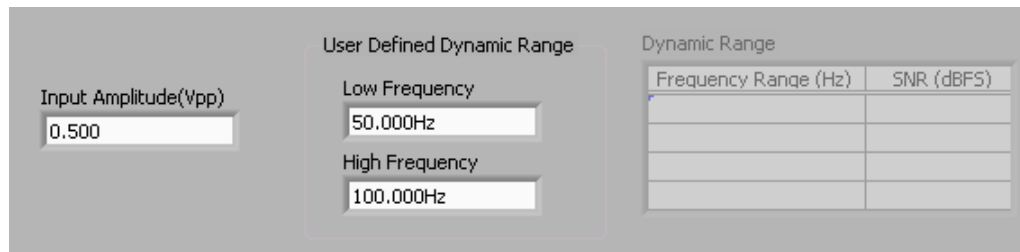


Figure 35. Changing the User-Defined Dynamic Range for Channel 1

Input Amplitude: 5

This field is a user input that is important for accurately calculating the CMRR of each channel.

7 EEG Specific Features

This section describes some of the EEG specific features supported by the EVM, including the reference/patient bias signals, lead off detection and calibration.

7.1 Reference Signal and Patient Bias Signal

A typical EEG system has multiple electrodes (32 up to 256, hereby called as the “normal electrodes”) connected to the scalp that are used to acquire EEG signals. In addition to these electrode signals, an EEG system also uses two additional signals, a reference signal and a patient bias signal. The reference signal is used as the reference for the single ended EEG measurements. The patient bias signal is used for biasing the patient to set the common mode of the EEG signals (typically mid supply).

Dedicated reference and patient bias electrodes

Many EEG systems have two dedicated electrodes, one used as the reference signal for the EEG measurement (hereby called as the “reference electrode”) and the other used for the patient bias signal (hereby called as the “bias electrode”). The EVM has two signals (BIAS_ELEC, REF_ELEC) available at the connector JP81 that correspond to these two electrodes. The BIAS_DRV signal is similar to the BIAS_ELEC, but appears as a separate signal at JP80. In future versions of the EVM, BIAS_DRV will be multiplexed through a jumper to BIAS_ELEC.

Programmable reference and patient bias electrodes

Certain EEG systems provide the flexibility to be able to route the reference and/or the patient bias signals through any of the normal electrodes.

The internal multiplexer of the ADS1299 provides ample flexibility for

- (a) Choosing the voltage applied to these electrodes (Fixed or closed loop),
- (b) Being able to route the reference and patient bias signals to either the dedicated electrode or any other normal electrode.

7.1.1 Using the Dedicated Reference and Patient Bias Electrodes

This is the simplest option for electrode connection and is illustrated in . One dedicated electrode is chosen as a bias electrode and a potential is applied to it to bias the patient at about mid-supply voltage. Similarly a fixed electrode is chosen as the reference electrode and all the other electrodes are measured with respect to this electrode. Below we discuss different options available on the EVM board to connect the bias electrode BIAS_ELEC/BIAS_DRV and reference electrode REF_ELEC.

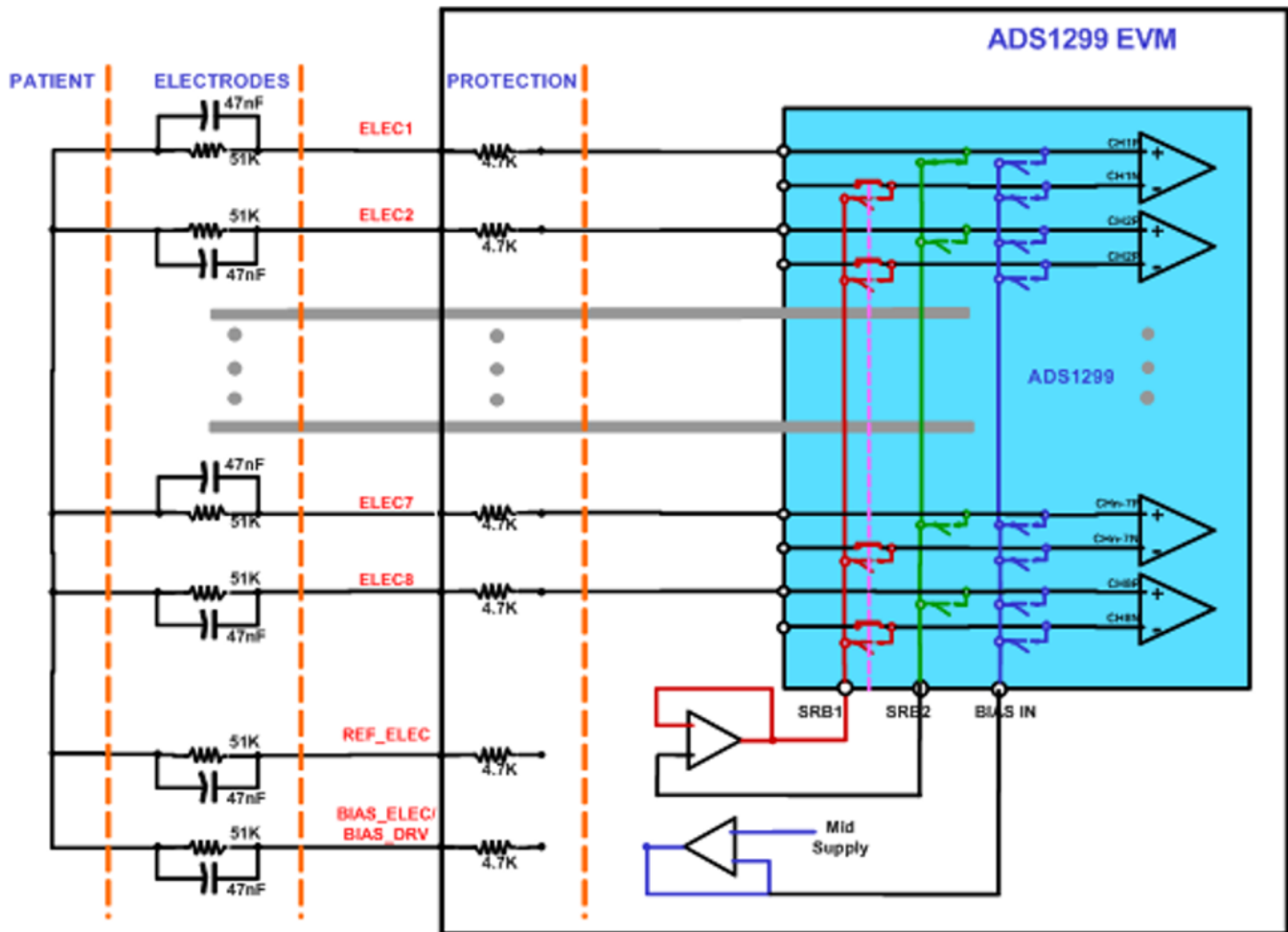


Figure 36. Dedicated Reference and Bias Electrode

Reference : The reference electrode (REF_ELEC) input is used to drive the negative inputs of the channel through SRB1 pin on ADS1299 device. The reference electrode is connected to the negative inputs of all the channels. This leads to increased leakage current on the reference electrode since current of all the channels gets added. The EVM provides an option to buffer the reference electrode to reduce the leakage. The disadvantage of the buffered approach is the additional noise of the buffer amplifier. The table below shows the jumper settings for the two options.

Table 9. Dedicated Reference Drive Options through REF_ELEC

	JP7	JP8
Un Buffered	Don't care	1-2
Buffered	1-2	2-3

Bias : There is an option to provide the bias to a fixed electrode either through BIAS_ELEC or through BIAS_DRV. BIAS_ELEC option needs an external amplifier U11 to buffer the mid supply. For the BIAS_DRV option the buffer is built inside the ADS1299 chip. The BIAS_DRV option also helps in improving common mode rejection by implementing a feedback loop. The details on selecting the inputs for bias drive are discussed in [Section 5.5.3](#) and [Section 7.1.3](#).

7.1.2 Programmable Reference and Bias Electrodes

The multiplexer in ADS1299 allows any electrode to be chosen as the bias electrode or reference electrode. This is illustrated in [Figure 37](#).

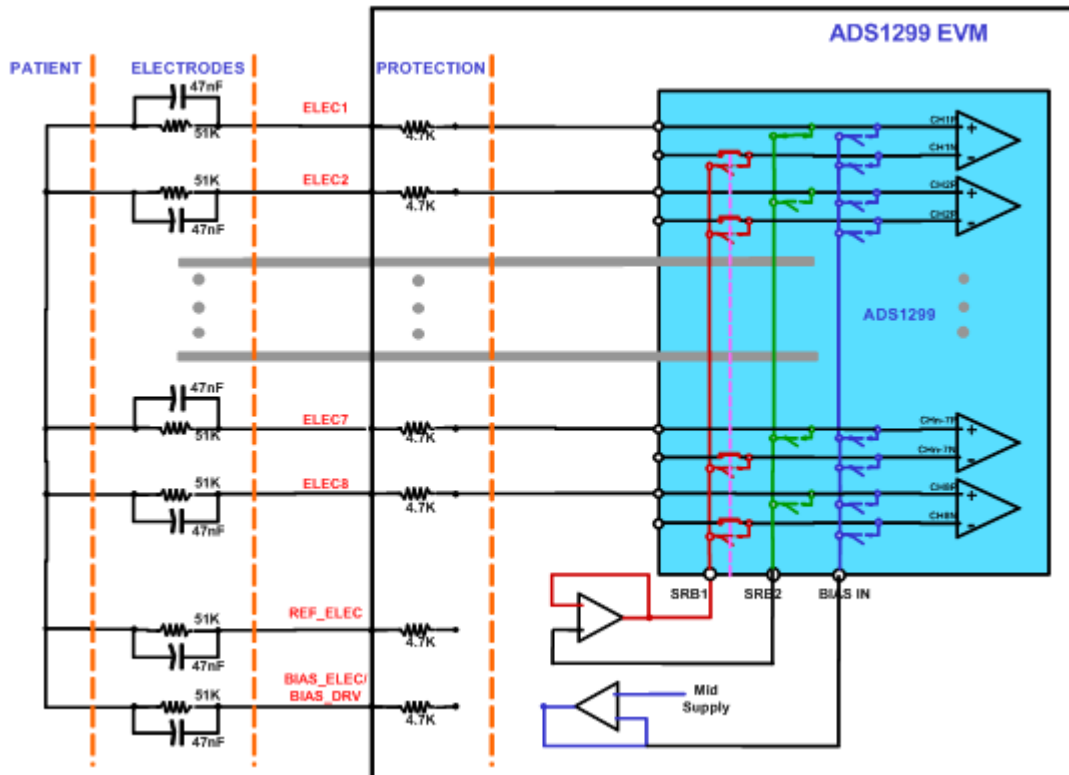


Figure 37. Programmable reference and bias electrode

The reference electrode selection is done using SRB2 pin. The SRB2 bit in CHxSET register is set high for the electrode chosen as reference. This reference is routed out on SRB2 pin and can be routed to SRB1 pin as a reference for all other channels. On the EVM, a jumper between pin 2 and pin 3 of JP7 and JP8 is needed for this configuration. In [Figure 37](#), the channel 1 electrode is selected as a reference electrode and is routed out to SRB2 pin.

The bias selection is done using BIASIN pin. The voltage in this pin can be routed to positive input of any channel by writing MUX = 110 on the CHxSET register. On the EVM a jumper between pin 2 and pin 3 of JP6 is required, to route the mid supply to BIASIN. In the illustration in [Figure 37](#) channel 7 is used as a bias electrode.

7.1.3 Biasing the Patient with a Feedback Loop

There are two options on the EVM board to bias the patient. First option is to use onboard BIAS_ELEC signal to drive the patient as explained in the earlier section. Second option, which is described below, is to drive the body with BIAS_DRV signal generated by ADS1299 chip. The advantage of using BIAS_DRV signal is that it takes advantage of feedback loop to get better common mode rejection. The bandwidth of the BIAS loop is determined by R8 (390kΩ) and C20 (10nF). Users can change these values to set the bandwidth based on the specific application. The stability of the loop is determined by the user's specific system. Therefore, optimization may be needed on the feedback component values to ensure stability if additional filtering components and long cables are added before the ADS1299EEG-FE.

The ADS1299 offers full flexibility by letting the user select any combination of the electrodes to generate the bias voltage. Refer to the ADS1299 data sheet ([SBAS499](#)) for more details.

The reference voltage for the on-chip right leg drive can be driven externally. The on-chip voltage is set to mid-supply. If the application requires the common mode to be set to any other voltage, this configuration can be accomplished by setting the appropriate bit in the Configuration 3 Register. The external BIASREF voltage is set by resistor R1 and adjustable resistor R2.

The following procedure needs to be applied to activate the Bias drive circuitry:

Step 1. Set the inputs to Normal Electrode, refer [Figure 38](#)

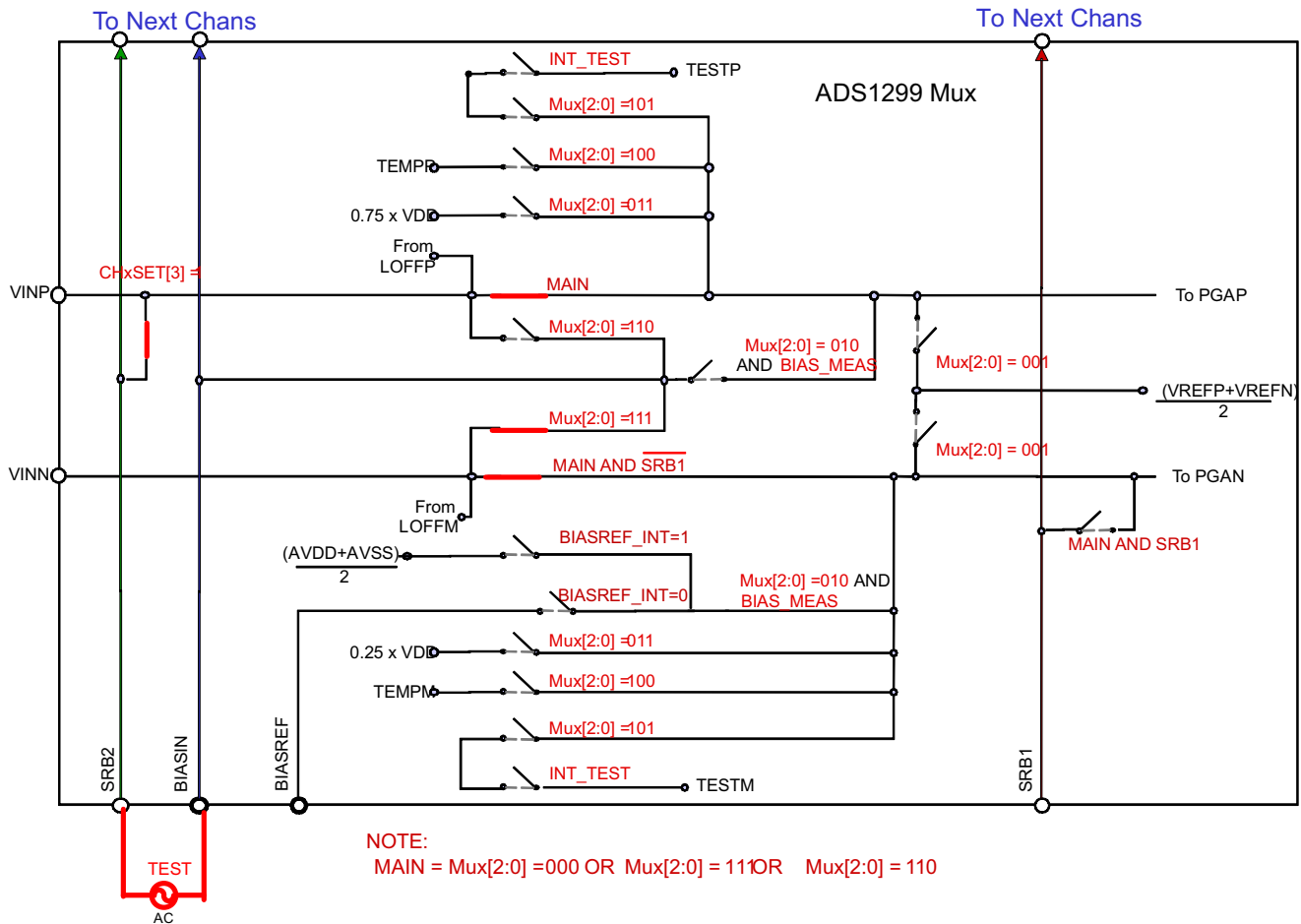


Figure 38. Settings for Normal Electrode

Step 2. Turn on the bias drive buffer and set the internal bias drive reference; refer to [Figure 39](#).

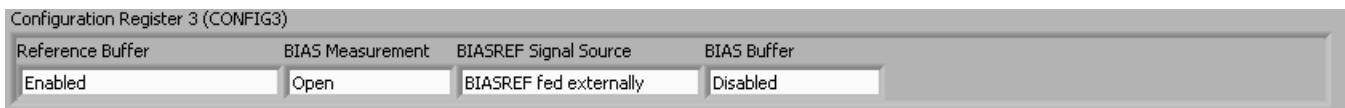


Figure 39. Configuring BIASREF and Bias Drive Buffer

Step 3. Select the electrodes to be chosen for the bias drive loop. In this case, the channel 1 and 2 input signals are used (as [Figure 40](#) shows).

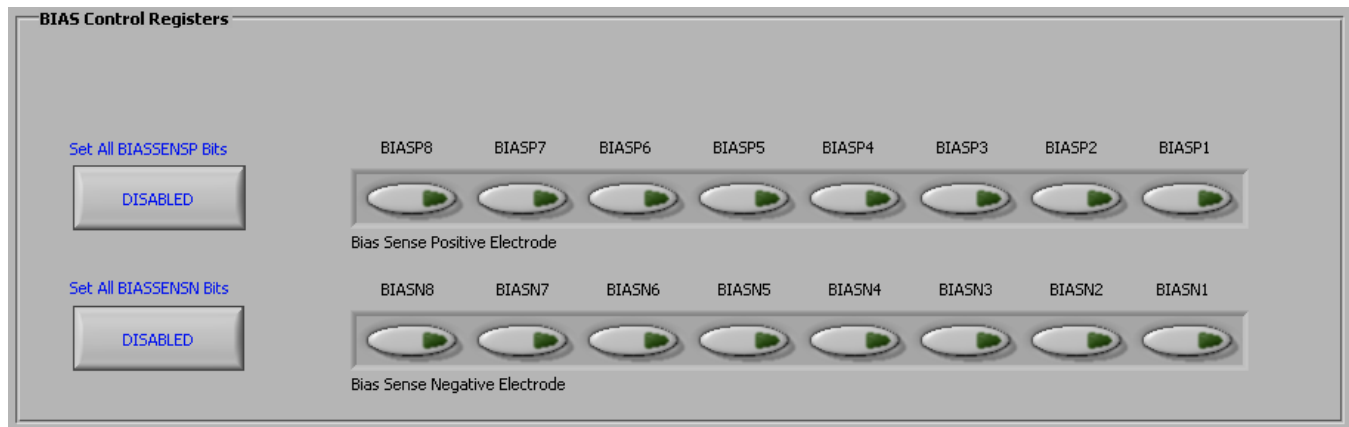


Figure 40. Setting up the Bias Drive Loop

Once these steps are completed, measure and verify that the voltage on either side of R8 is close to mid-supply. This measurement confirms whether the Bias drive loop is functional. Apart from the BIAS_DRV signal, the ADS1299EEG-FE also offers an option to drive the cable shield. The EEG cable shield signal can be connected to BIAS_SHD. The jumper (1-2) on JP17 must be shorted to enable the shield drive. The footprints for the components needed for the shield drive circuitry are available on the board. But the components are not installed at the factory.

7.2 Lead-Off Detection

The ADS1299 provides multiple schemes to implement the lead-off detection function. These schemes include current source at dc, at 7.8Hz, 31.2Hz or at $f_{DR/4}$. There is also a wide range on the amplitude of currents available. Refer to the ADS1299 product data sheet ([SBAS499](#)) for additional details.

While attempting to use the lead-off detection, care must be taken to analyze the input signal. If the input signal is dc-coupled, the dc lead-off scheme can be used. If the input signal is ac-coupled, the ac lead-off scheme must be used. When using the dc lead-off scheme, be sure to bias the patient to set the input common-mode before activating lead-off detection.

7.2.1 DC Lead-Off

At board power-up, the firmware sets the appropriate registers so that dc lead-off is selected. In the event of a reset signal, the register values default to the device default settings. In such a scenario, follow this procedure to reactivate the lead-off circuitry.

- Step 1. Make sure the input is dc-coupled and that the bias drive circuit is operational, as explained in [Section 7.1.3](#)
- Step 2. Choose the lead-off scheme by setting the respective bits in the LOFF register (in the LOFF control tab). Select the *DC Lead-Off Detect, 6.25nA, Current Source* scheme, and set the comparator threshold to 95%. Select the appropriate inputs for lead-off detection by clicking the bits of the LOFF_SENSP and LOFF_SENSN Registers. The LOFF tab should appear as shown in [Figure 41](#).

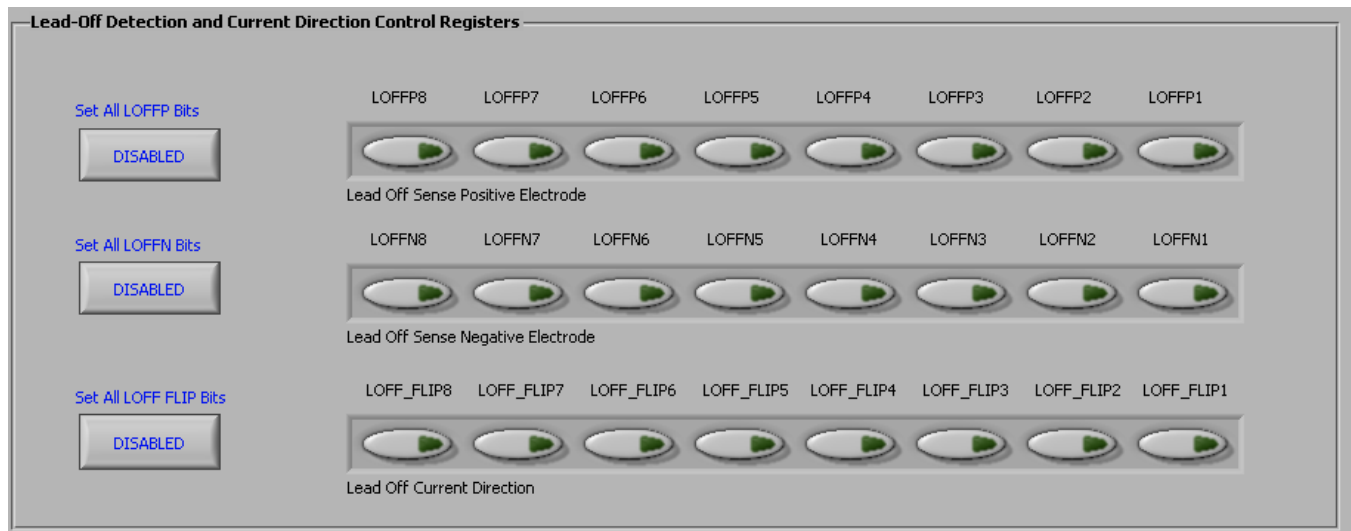


Figure 41. Setting the LOFF Register Bits

- Step 3. Turn on the lead-off comparator by setting the bit in the Configuration 4 Register in the Global Registers control tab, as [Figure 42](#) shows.

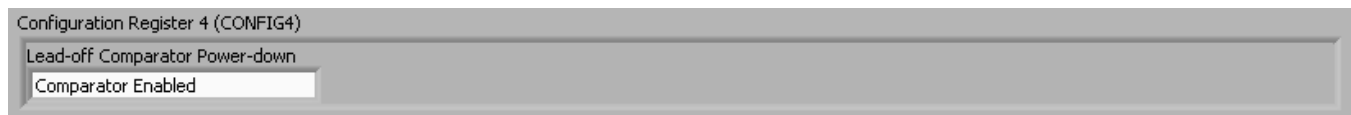


Figure 42. Configuring the Lead Off Comparator

- Step 4. The software has an option where the LOFF_STATP and LOFF_STATM Registers are continuously polled (set the *Read Status Registers* switch as shown in shown in [Figure 43](#)). This option allows the user to see the lead-off detection scheme work in real time. [Figure 44](#) shows a case for which only positive electrodes are connected.

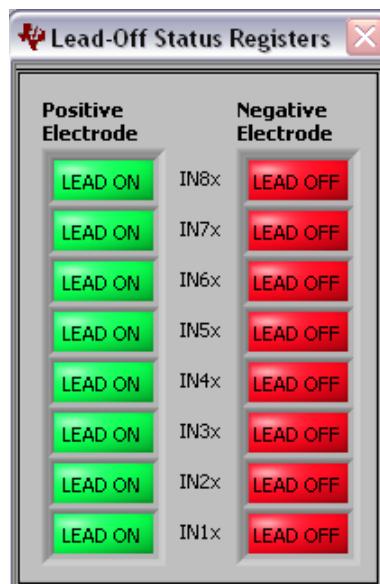


Figure 43. Lead off Status Registers

7.2.2 AC Lead-Off Detection

AC lead off detection can be used in three ways

1. To measure electrode impedance with inband excitation for one time use at electrode placement.
2. To simultaneously measure electrode impedance with EEG, by using out of band excitation.
3. To detect if a lead is off for an AC coupled input.

These options are explained below.

In band Electrode impedance measurement

ADS1299 provides two frequency options (7.8Hz and 31.25Hz) to measure the electrode impedance within the bandwidth of interest for EEG. There are four amplitude of current source ($I_{Leadoff}$) options available 6nA, 24nA, 6μA and 24μA. The electrode impedance measurement at these frequencies cannot be done simultaneously with EEG measurements. The voltage developed at the -inputs depends on the impedance on each electrode and the current used for lead-off detection. If we denote the source impedance on INP pin as Z_{inp} and the source impedance on INM pin as Z_{inm} the peak to peak voltage developed on channel input is $2 \times (I_{Leadoff} \times Z_{inp} + I_{Leadoff} \times Z_{inm})$.

As an example [Figure 44](#) shows the snapshot of the scope with 5K impedance on each source with 6μA of lead-off current at 31.25Hz. We expect a theoretical peak to peak voltage of 120mV. The observed peak-to-peak voltage is 128mV which is within the tolerance specification of current source. The results can also be analyzed in frequency domain using the FFT analysis tab as shown in [Figure 45](#). The magnitude of the fundamental component will be directly proportional to the electrode impedance being measured.

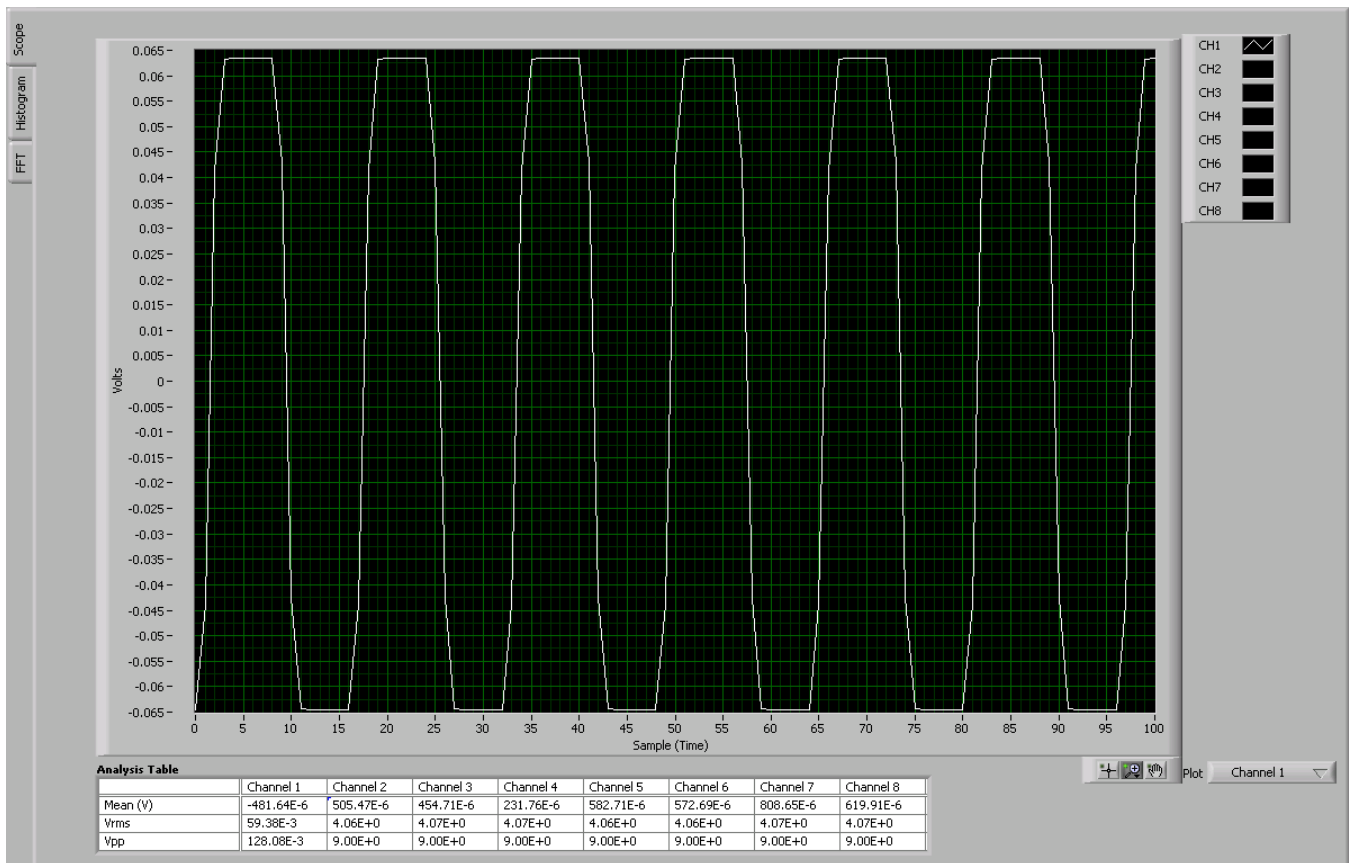


Figure 44. Scope tab for Impedance Measurement at 31.25Hz

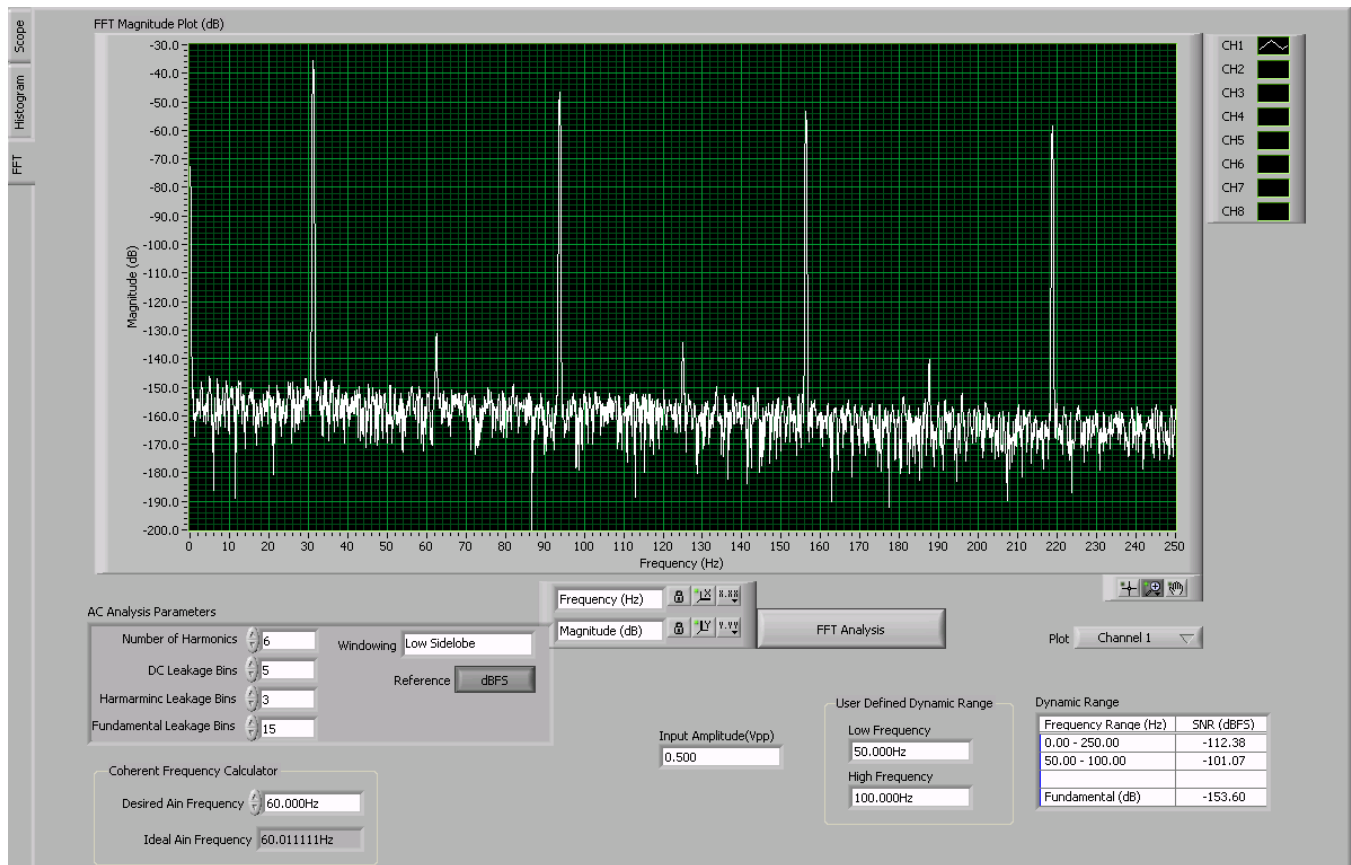


Figure 45. FFT Analysis for Impedance Measurement at 31.25Hz

Out of band Lead off detection

ADS1299 also provides option to do electrode impedance measurement at frequencies outside the EEG bandwidth of interest. The frequency for this AC current source is set at $f_{DR}/4$. For example to do an AC lead-off detection at 1 kHz the data rate for the device must be set at 4Ksps. These measurements can be done concurrently with the EEG measurement. Figure 46 shows the fft result of AC lead off detection at $f_{DR}/4$ with data rate of 4Ksps. The impedance component is present at 1KHz and must be bandpass filtered. The EEG information is at low frequencies and the data must be low pass filtered to extract the information. It is recommended to use only nA range current sources for concurrent measurement of EEG and impedance. For μA range the noise from the current source will be too large and it may swamp the EEG signal.

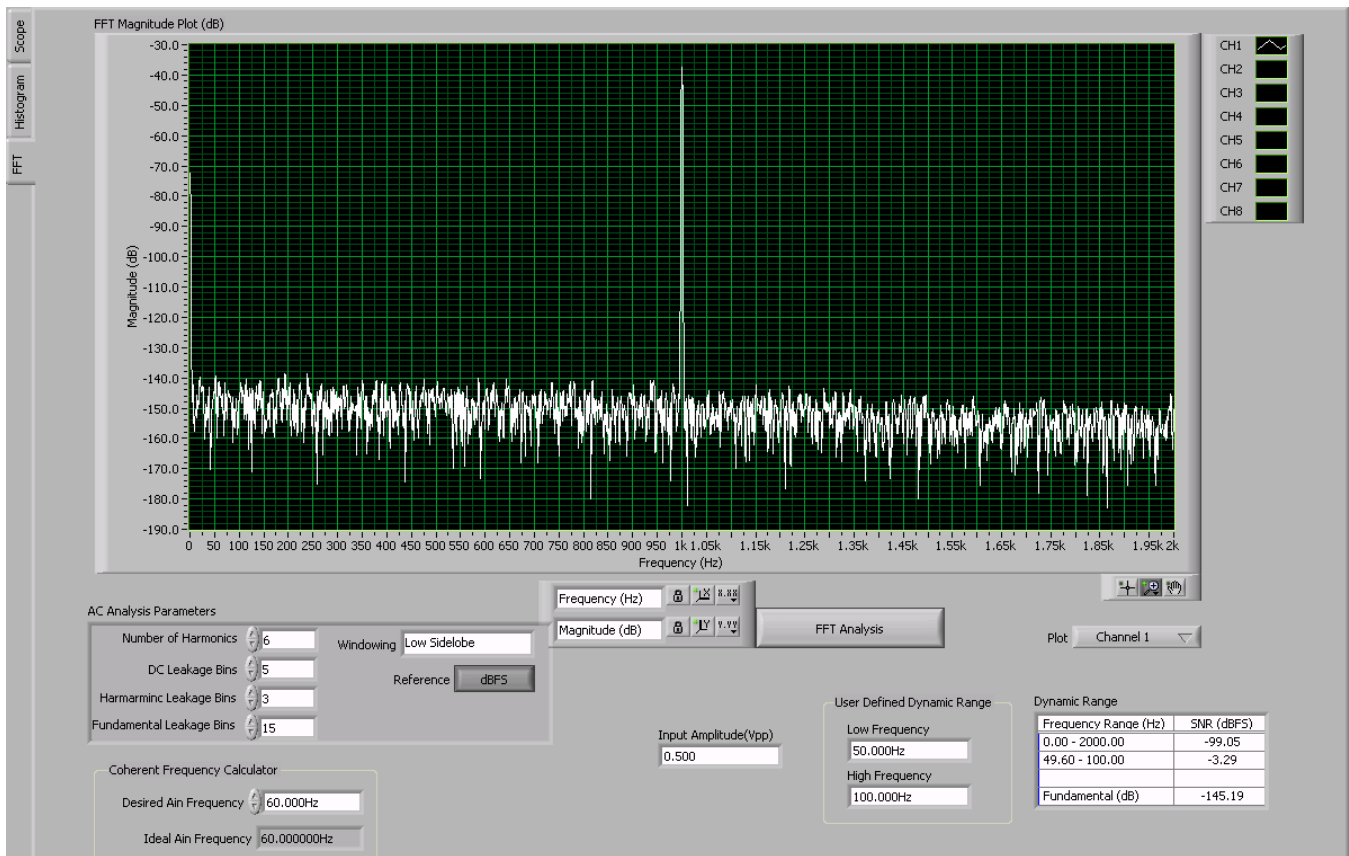


Figure 46. Scope Tab for Impedance Measurement at fDR/4 (DR = 4ksps)

7.3 External Calibration/Test Signals

ADS1299 generates a square wave test signal that can be used to check the functionality of the signal chain (Refer to the datasheet for details). It also gives the user an option to provide external test signals for calibration. For evaluation purposes with the EVM, the test signals can be provided directly to the jumpers of the corresponding signals. SRB1 (pin2 of JP8), SRB2 (pin3 of JP7), BIASIN (Pin3 of JP6), BIASREF (does not appear at a jumper, needs to be soldered to one side of R5).

7.3.1 Channel Inputs Disconnected

It may sometimes be required to provide a calibration or test signal to ADS1299 channel without the signal being routed to the channel input pins (or electrodes). This can be accomplished by applying the positive test signal to BIASIN pin and the negative test signal to BIASREF pin. The channel multiplexer must be set as 010, BIASREF_INT bit in Config 3 register must be set to 0 to choose external BIASREF and BIAS_MEAS bit in Config 3 must be set to 1. These multiplexer settings are illustrated in [Figure 47](#).

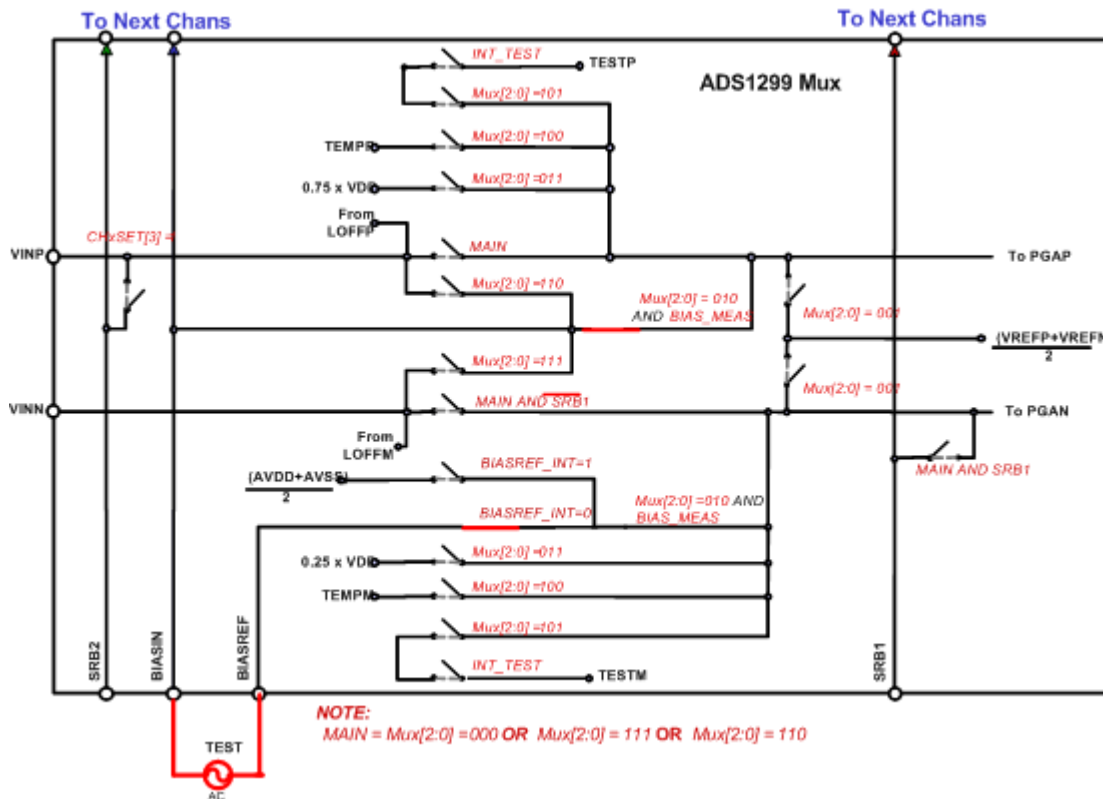


Figure 47. Multiplexer Setting for Calibration with Electrode Disconnected

7.3.2 Channel Inputs Connected

It may sometimes be required to provide a calibration or test signal to ADS1299 device with the positive input connected to the pin or electrode. This can be accomplished by connecting the positive test signal to SRB2 pin and the negative test signal to SRB1 pin. The channel input multiplexer must be set for Normal Electrode (000), SRB2 switch must be closed and SRB1 switch must be closed. This multiplexer setting is illustrated in Figure 48.

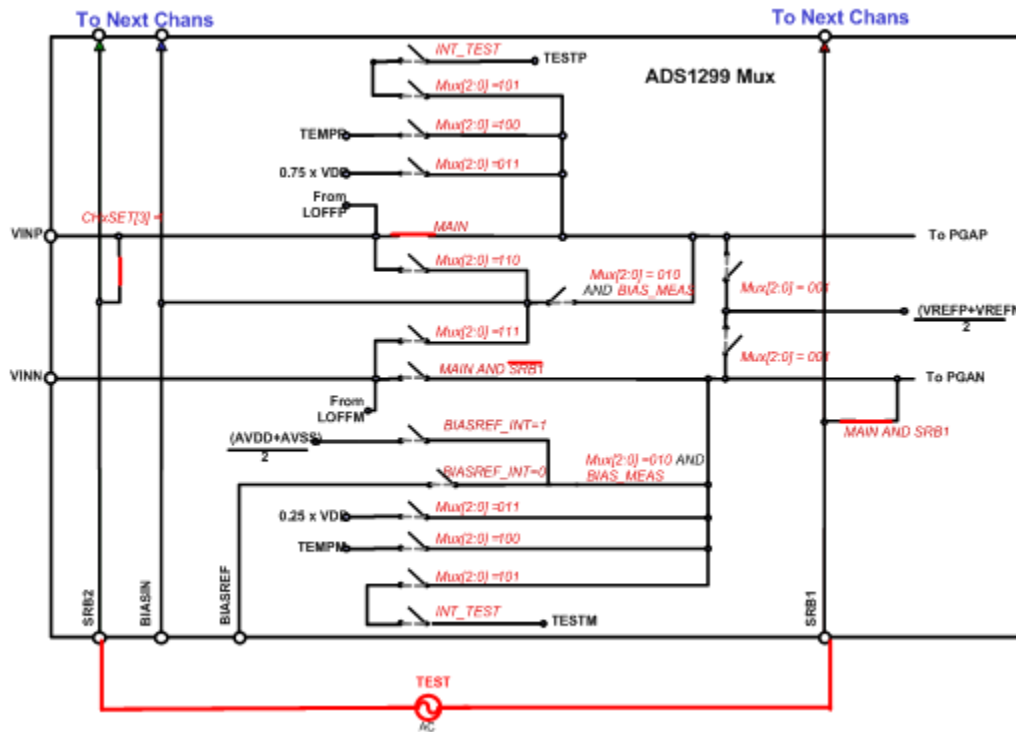


Figure 48. Multiplexer Setting with Positive Electrode Connected to Test Signal

If it is desired to have both the input pins connected during calibration or test, the following connections must be made. The positive test signal must be tied to SRB2 pin and the negative test signal must tie to BIASIN pin. The channel multiplexer must be set for 111 and the SRB2 switch must be closed. This multiplexer setting is illustrated in Figure 49.

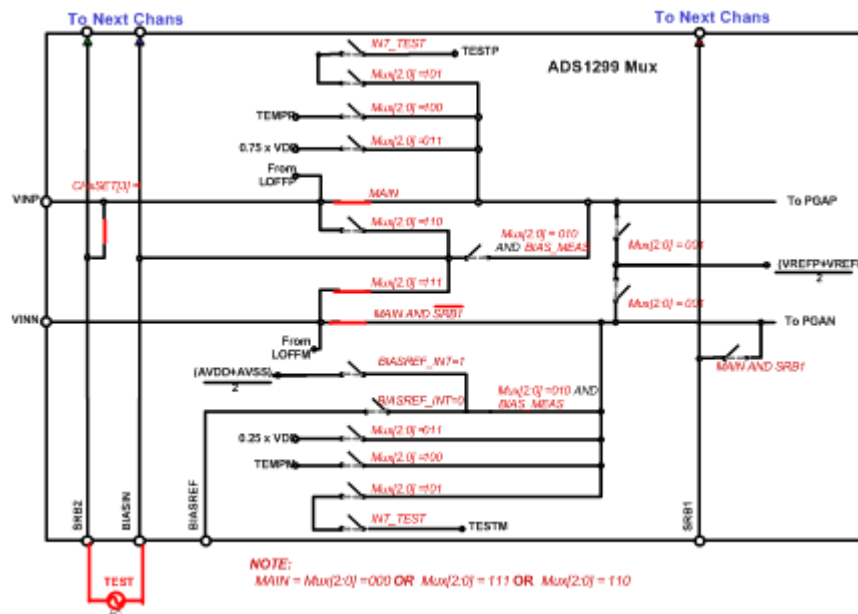


Figure 49. Multiplexer Setting with Both Electrodes Connected to Test Signal

8 Test Options on the EVM

8.1 On Chip (ADS1299) Input Short

The channel input can be shorted internally by setting the input multiplexer of the individual channel to 001. The global registers must be set as shown in Figure 51. The channel control registers must be set as shown in Figure 50. This test gives the noise in the channel. It also gives the offset in the channel. The result can be seen in the analysis tab. Figure 52 shows a snapshot of the scope for internal input short with gain setting of 24. The channel offset in this example is 23uV and noise is less than 1µVpp. 5000pts at 500sps is taken there by giving data for 10 seconds.

Global Channel Registers

Configuration Register 1 (CONFIG1)

Daisy-chain/Multiple Readback Mode	CLKOUT Connection	Output Data Rate
Daisy Chain Mode	Output Disabled	f(MOD) /4096

Configuration Register 2 (CONFIG2)

TEST Source	Test Signal Amplitude	Test Signal Frequency
Generated Internally	(VREFP-VREFN)/2.4	f(CLK)/2^21

Configuration Register 3 (CONFIG3)

Reference Buffer	BIAS Measurement	BIASREF Signal Source	BIAS Buffer
Enabled	Open	BIASREF fed externally	Disabled

Lead-Off Control Register (LOFF)

Comparator Threshold	Lead-off Current Magnitude	Lead-off Frequency
Positive - 95% : Negative - 5%	6nA	DC lead-off detection

Figure 50. Channel Setting for Input Short Test

Global Channel Registers

Configuration Register 1 (CONFIG1)

Daisy-chain/Multiple Readback Mode	CLKOUT Connection	Output Data Rate
Daisy Chain Mode	Output Disabled	f(MOD) /4096

Configuration Register 2 (CONFIG2)

TEST Source	Test Signal Amplitude	Test Signal Frequency
Generated Internally	(VREFP-VREFN)/2.4	f(CLK)/2^21

Configuration Register 3 (CONFIG3)

Reference Buffer	BIAS Measurement	BIASREF Signal Source	BIAS Buffer
Enabled	Open	BIASREF fed externally	Disabled

Lead-Off Control Register (LOFF)

Comparator Threshold	Lead-off Current Magnitude	Lead-off Frequency
Positive - 95% : Negative - 5%	6nA	DC lead-off detection

Figure 51. Global Register Settings for Input Short Test

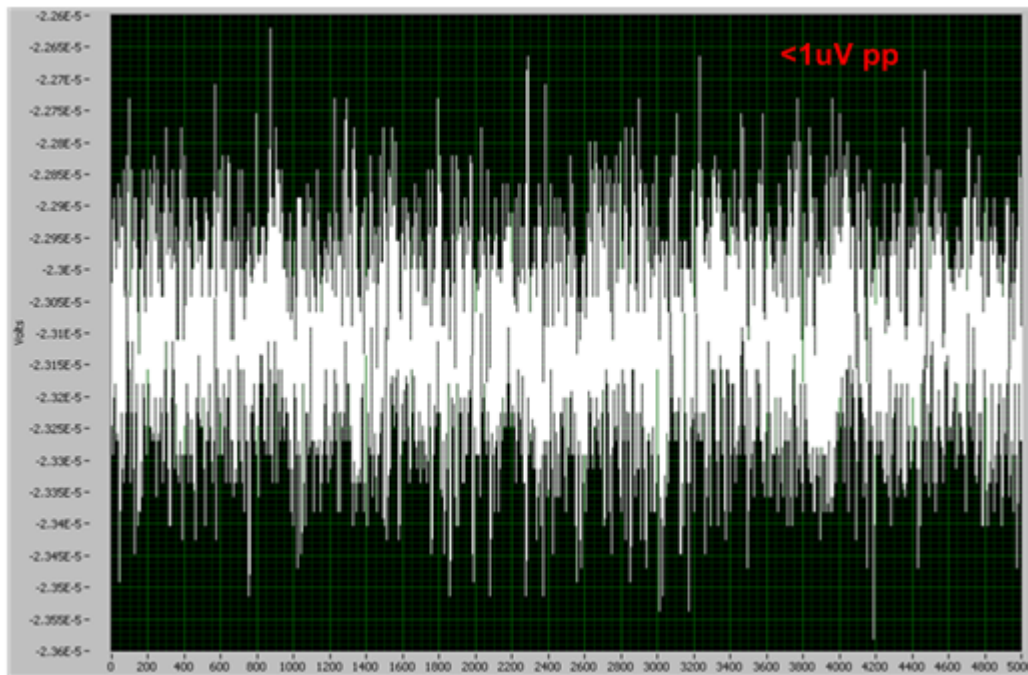


Figure 52. Scope Tab for Input Short Test

8.2 External Input Short with 5K Resistor

There is an option on board to tie the positive and negative input of the channel to a common voltage (VCM) on BIAS_ELEC through 5K resistors. The following jumper settings are needed for this test. On JP6 short pin 1 and pin 2. On JP25 short (1-2) and (2-3). The connector J6 must have jumpers across from left to right to connect the inputs to the ADS1299 channels. The noise from U11 which is used to generate the BIAS_ELEC appears as common mode noise for this test and is rejected. Same is true for noise from resistor R10 in BIAS_ELEC path. The only noise source present are two 5K resistors in the input path and the channel noise. This test is useful to measure the effect of input bias current on noise. The PGA in ADS1299 has CMOS input and thus has negligible current noise. The input bias current is as a result of chopping the PGA to remove flicker noise. This bias current doesn't manifest itself as noise and appears like a DC offset in presence of 5K input impedance. The Channel control registers must be programmed as shown in [Figure 53](#). The results in the analysis tab are shown in [Figure 54](#). The average peak-to-peak noise for this test is $1.27\mu\text{V}$. The increase in noise is due to the noise from 5K resistors. The two 5K resistors contribute about $0.67\mu\text{Vpp}$ in 65Hz bandwidth.

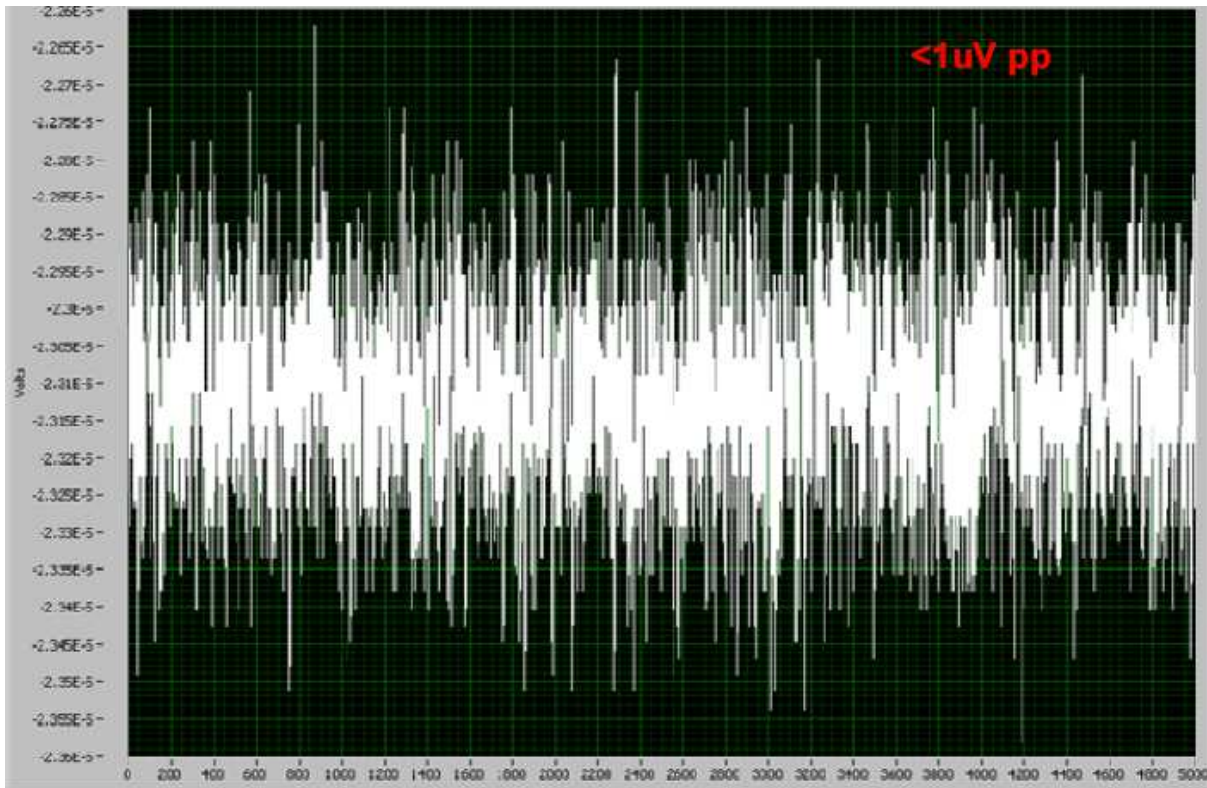


Figure 53. Global Register Settings for External Input Short Test

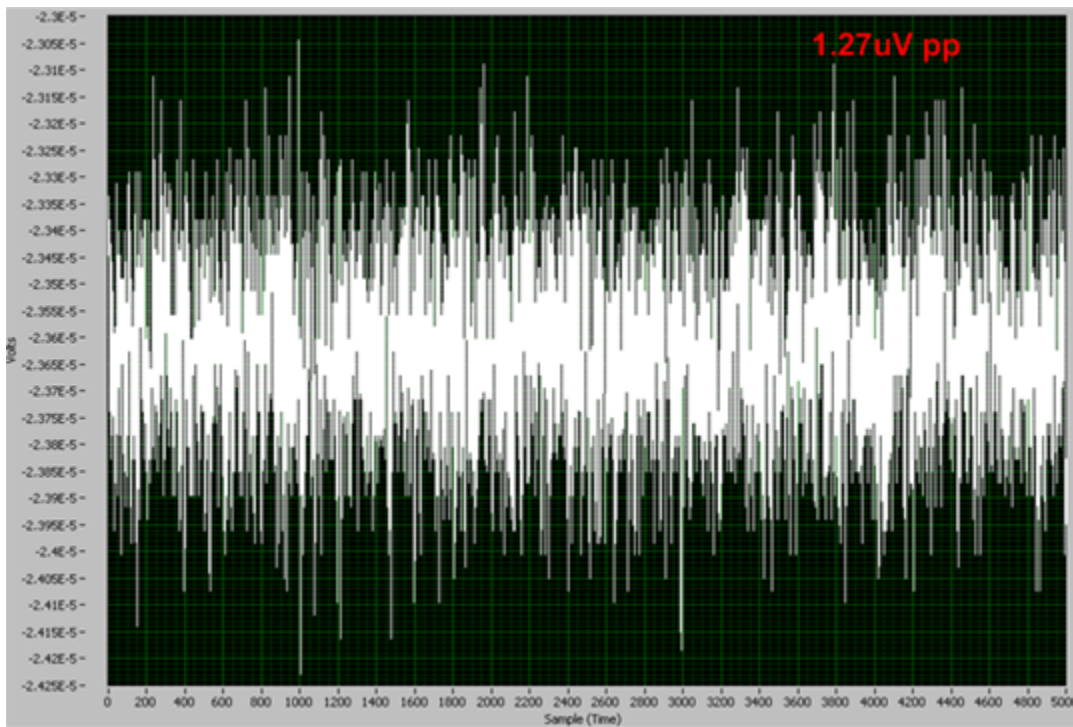


Figure 54. Scope Showing Noise for Input Short with 5k Resistors

8.3 Noise with Common Reference on Negative Inputs

There is an option in ADS1299 to connect all the channels negative inputs to a common reference. This can be accomplished by giving a signal on SRB1 pin and setting the bit SRB1 bit in MISC1 register. There is an option on board to test out the channel noise performance with this setting. On JP81 a jumper on (3-4) and (5-6) is needed. On JP8 a jumper (1-2) is required. These settings routes the common mode voltage VCM on BIAS_ELEC to all the positive inputs. It also connects BIAS_ELEC to REF_ELEC via R11 (5K). REF_ELEC is connected to SRB1 pin on ADS1299. The noise in this test includes noise of two 5K resistors and the channel noise. The SRB1 control switch must be set as shown in [Figure 55](#). The snapshot of the scope in the analysis tab is shown in [Figure 56](#). The average peak-to-peak noise for this test is $1.28\mu\text{V}$.

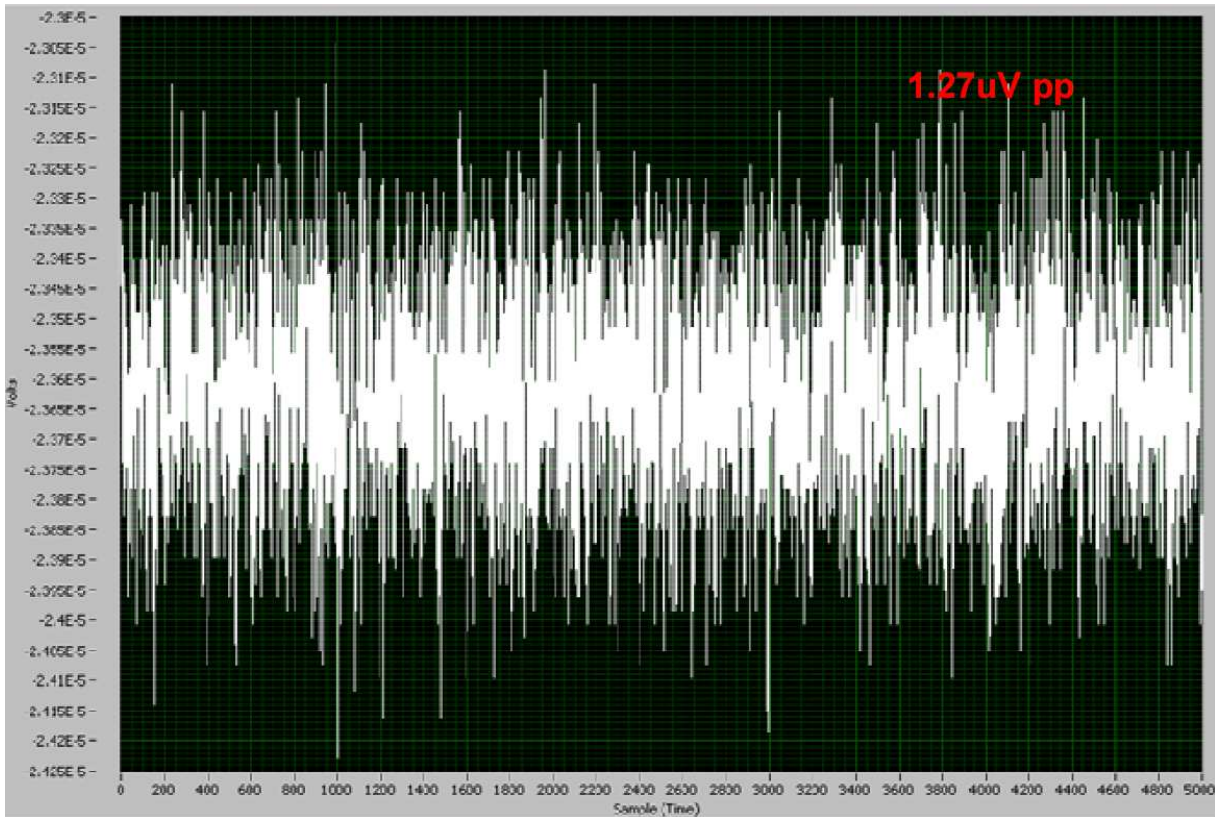


Figure 55. MISC1 Register Setting for SRB1

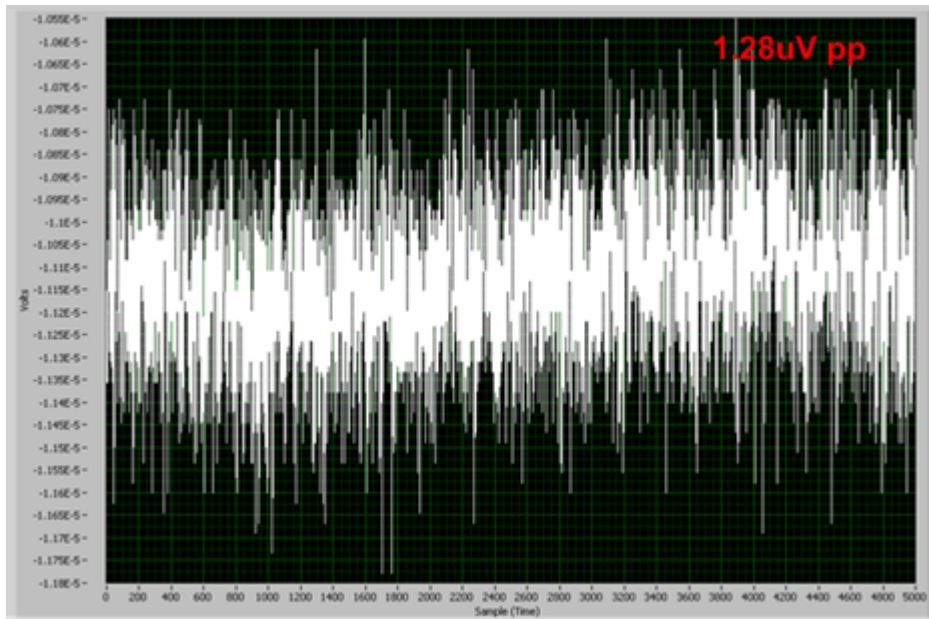


Figure 56. Noise with Negative Input Connected to SRB1 Pin

8.4 Noise with Buffered Common Reference Input

Connecting all the negative inputs to one reference electrode can lead to excessive leakage current on the electrode. The typical leakage current on ADS1299 channel is 200pA. So for a 16 channel system total leakage may be as large as 3.2nA. This number will become progressively worse as channel count is increased. If the leakage number is not acceptable there is an option to buffer the common reference input before connected it to all the negative inputs of the channel. On JP81 jumpers (3-4) and (5-6) are required. On JP8 a jumper (2-3) is required and on JP7 a jumper (1-2) is needed. The GUI settings are same as in [Figure 56](#). [Figure 57](#) shows a snapshot of the noise with SRB1 driven by a buffered reference. The drawback of using the buffer in the SRB1 path is increased noise. The noise contributors in these settings are two 5k resistors, op amp U4 and ADS1299 channel. As can be seen from the [Figure 57](#) the noise with this approach is larger than noise in previous three approaches. At present OPA376 is installed on board for U4. A lower noise op amp can be used if needed.

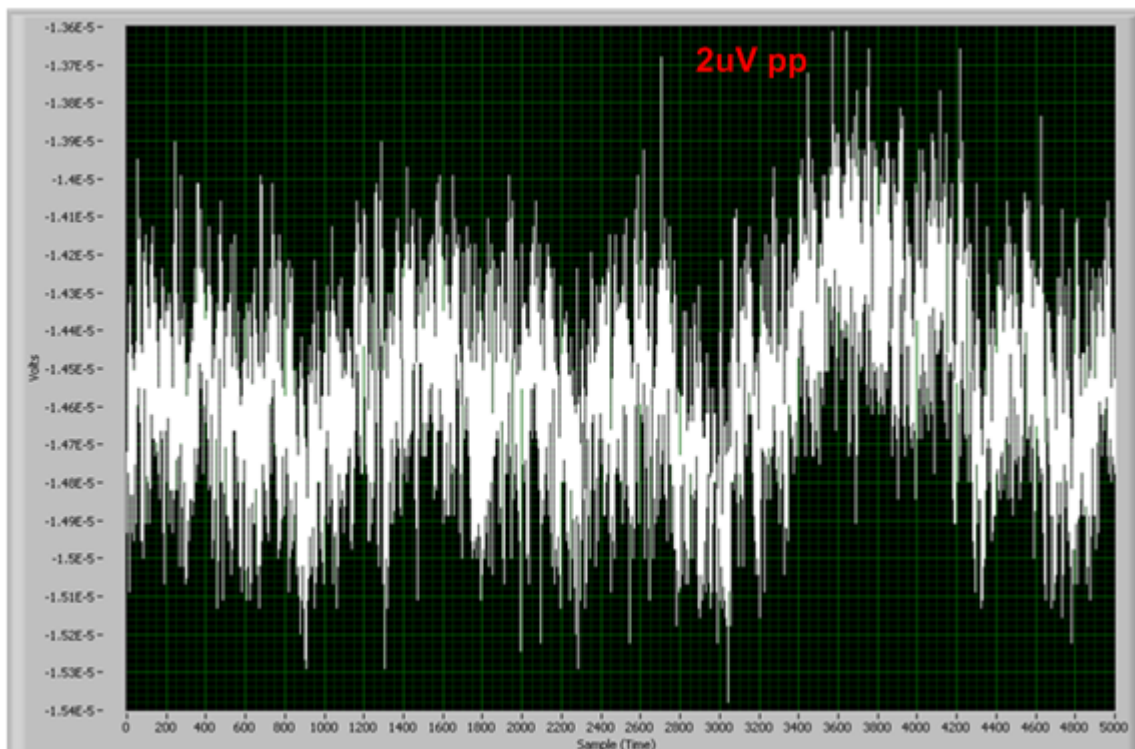


Figure 57. Noise with OPA376 in SRB1 Path

8.5 Internally Generated Test Signal and Other Multiplexer Inputs

ADS1299 internally generates a test signal that can be used for signal integrity check. Also the multiplexer provides options to measure supply voltage, temperature, etc. Details of these inputs can be found in [Section 5.3](#).

8.6 Arbitrary Input Signal

Any input signal can be fed to the device on connector J6 as described in [Section 4.6](#). [Figure 58](#) shows the results obtained when a single ended sinusoidal signal is applied to AIN1 by following the steps described in [Section 4.6.2](#).

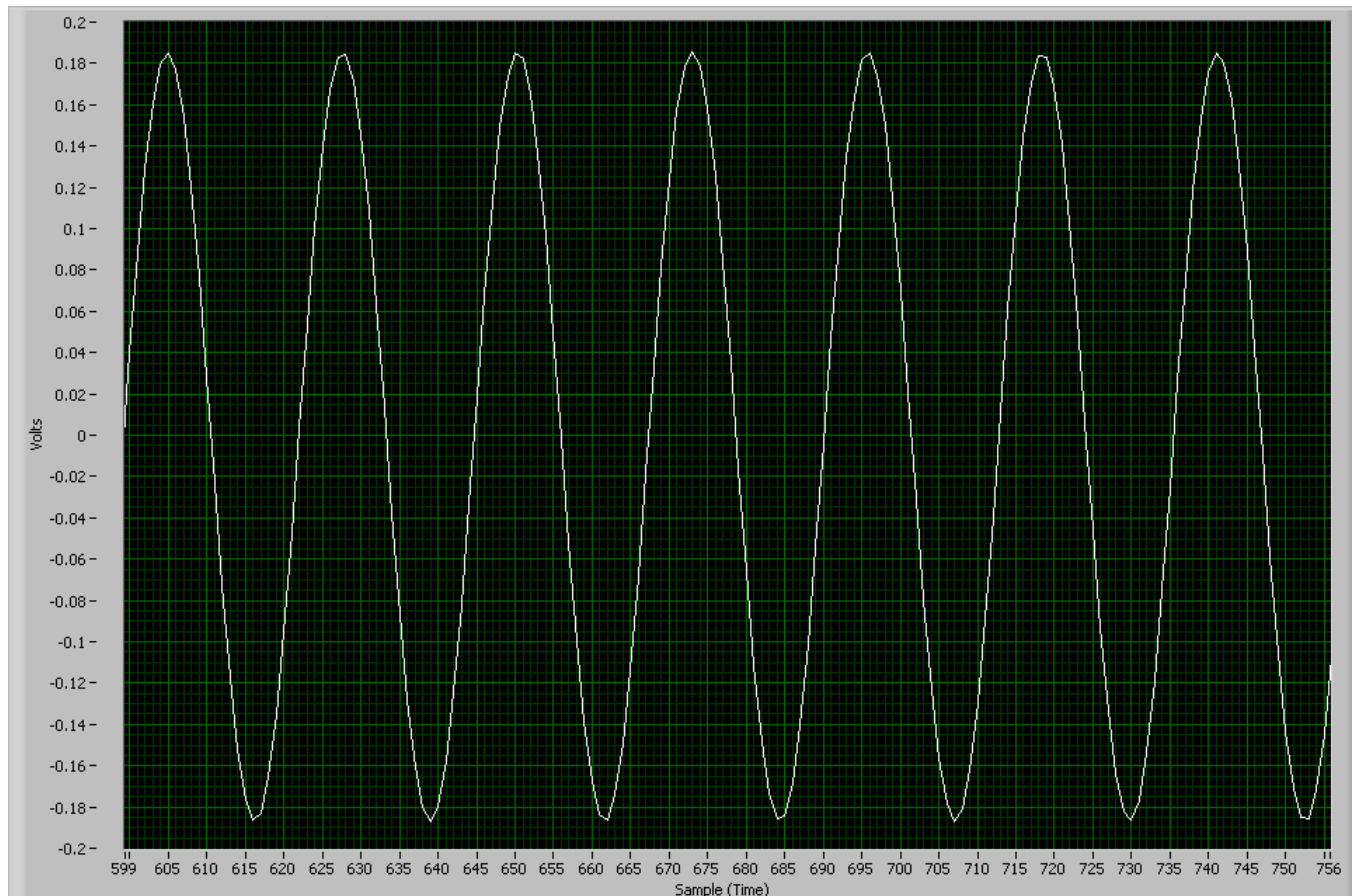


Figure 58. Scope Tab with Sinusoidal Inputs on AIN1

9 Bill of Materials, Layouts and Schematics

This section contains the complete bill of materials, printed circuit board (PCB) layouts, and schematic diagrams for the ADS1299EEG-FE.

NOTE: Board layouts are not to scale. These are intended to show how the board is laid out; do not use for manufacturing ADS1299EEG-FE PCBs.

9.1 ADS1299EEG-FE Front-End Board Schematics

Figure 59 through Figure 63 shown the schematic diagrams of the ADS1299EEG-FE.

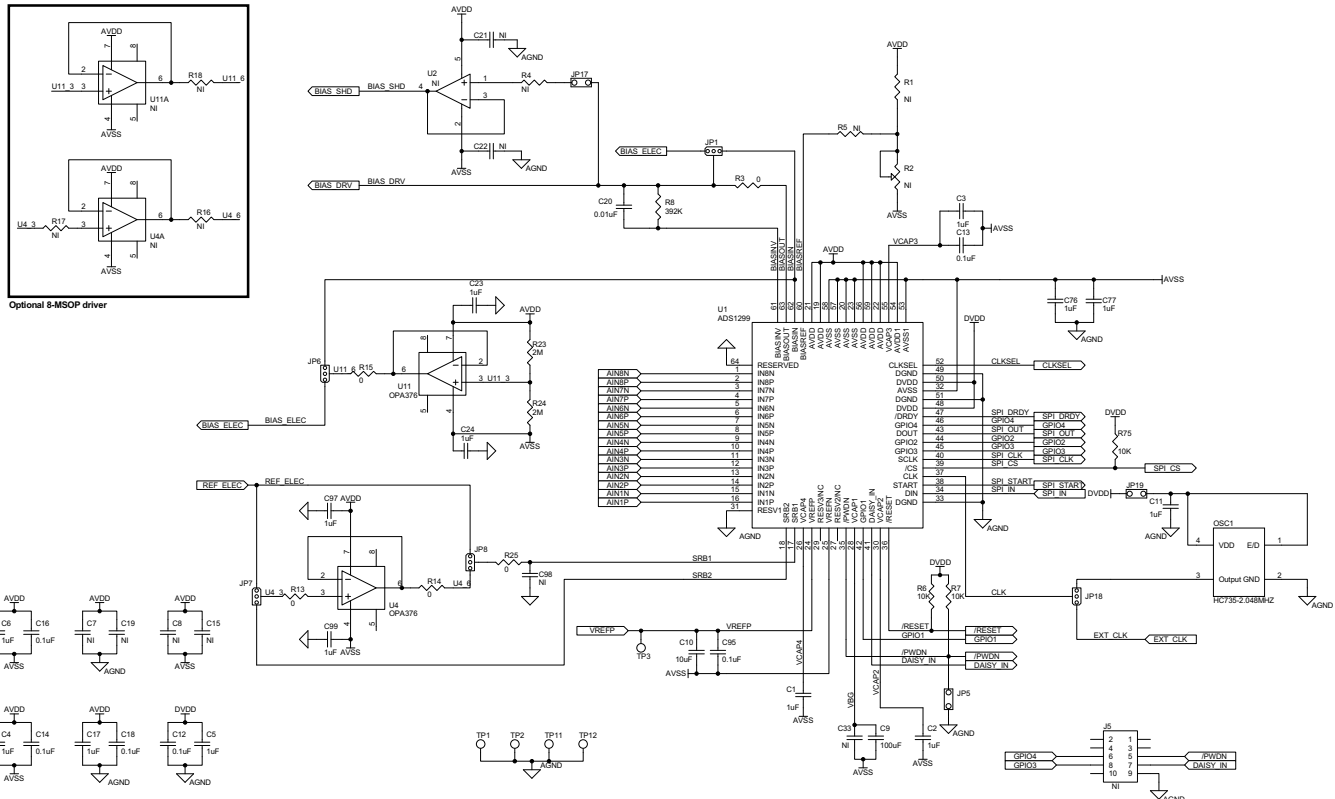


Figure 59. ADS1299EEG-FC Schematic

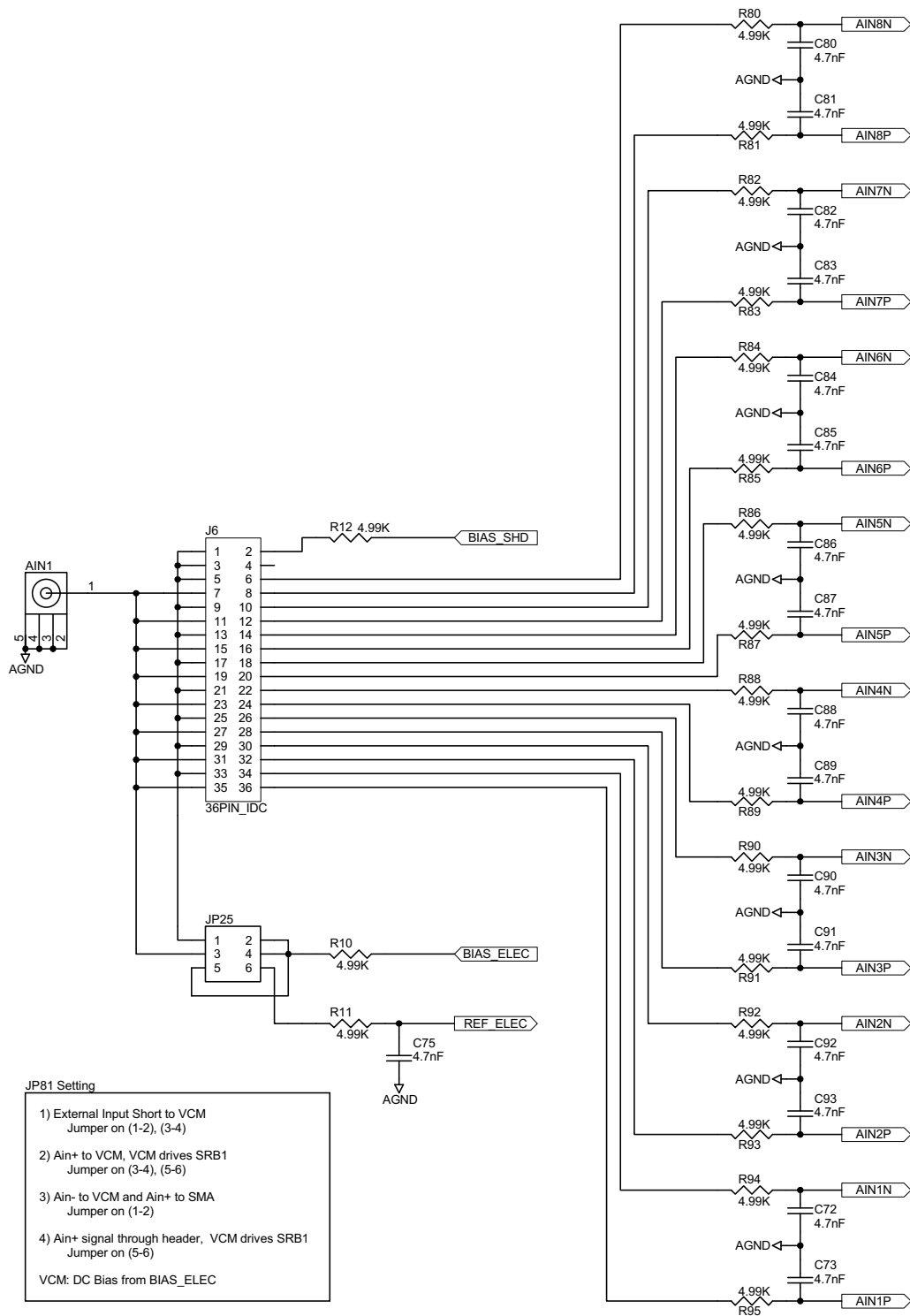


Figure 60. ADS1299EEG-FC Jumper Schematic

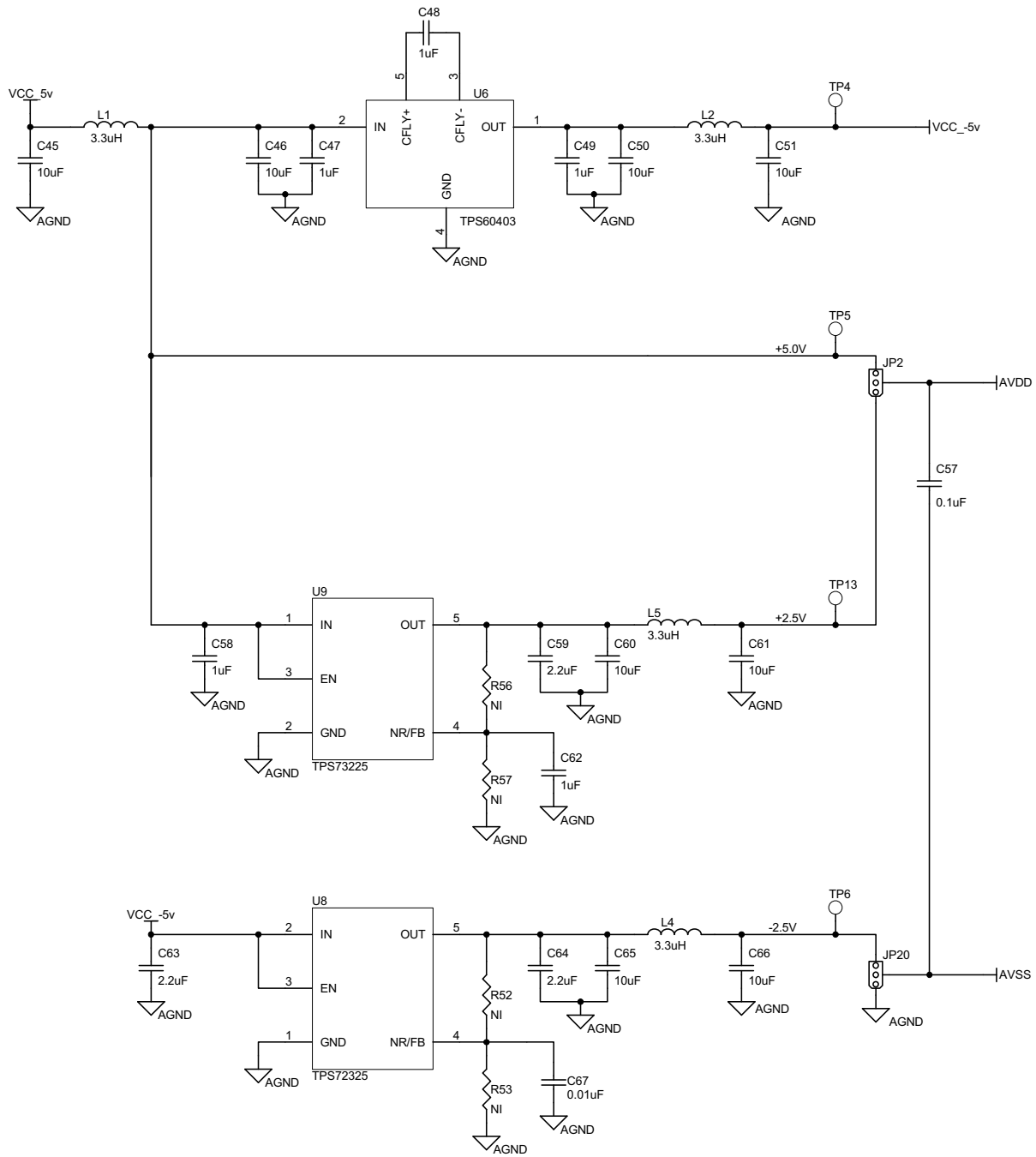


Figure 61. ECG Power Supplies

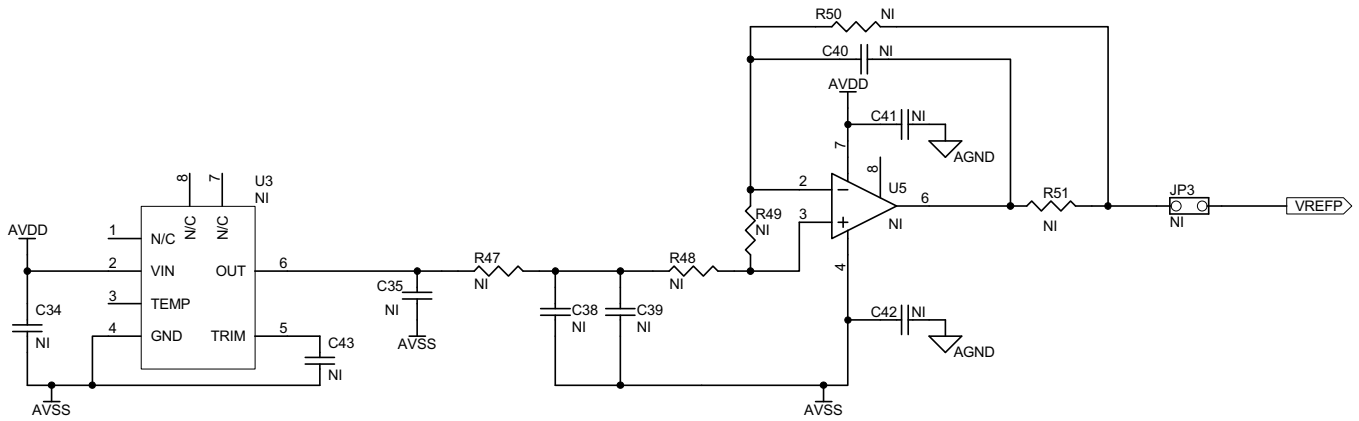
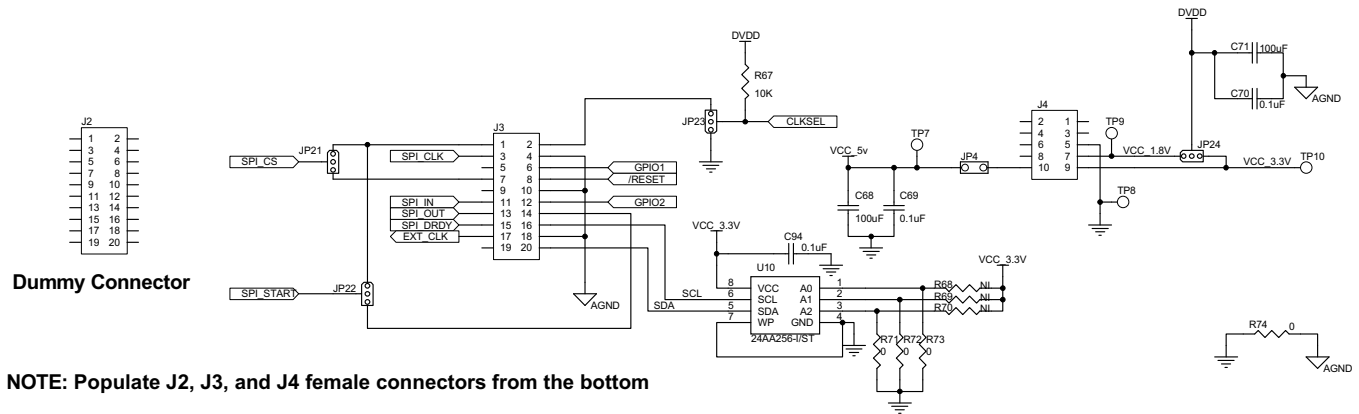


Figure 62. External Reference Drivers (Not Installed)



NOTE: Populate J2, J3, and J4 female connectors from the bottom

Figure 63. ECG MDK Board Interface Adapter

9.2 Printed Circuit Board Layout

Figure 64 through Figure 69 show the ADS1299EEG-FE PCB layout.

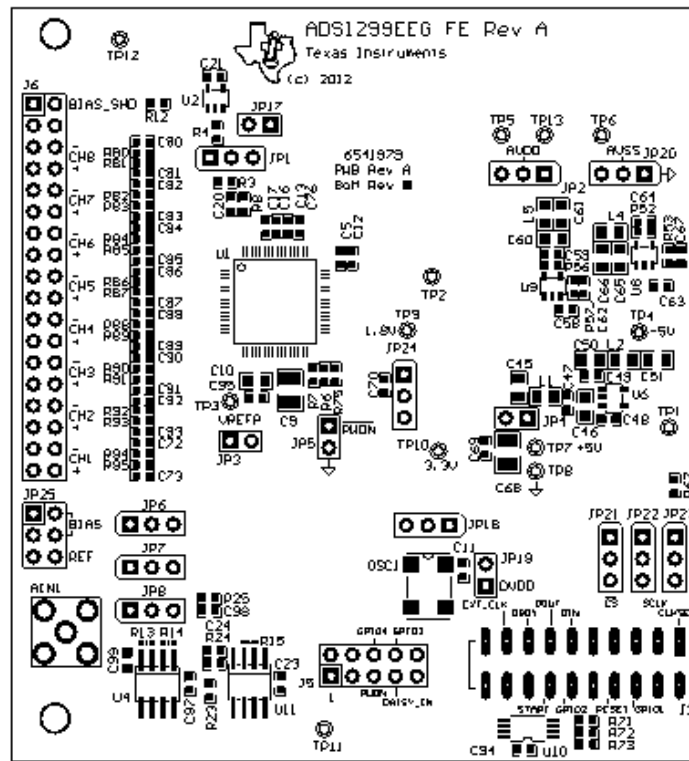


Figure 64. ADS1299EEG-FE Top Assembly

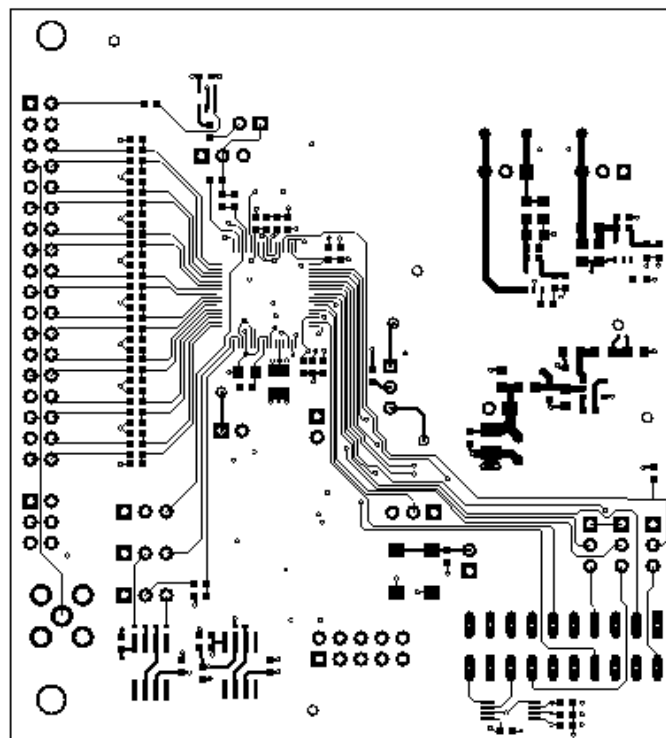


Figure 65. ADS1299EEG-FE Top Layer

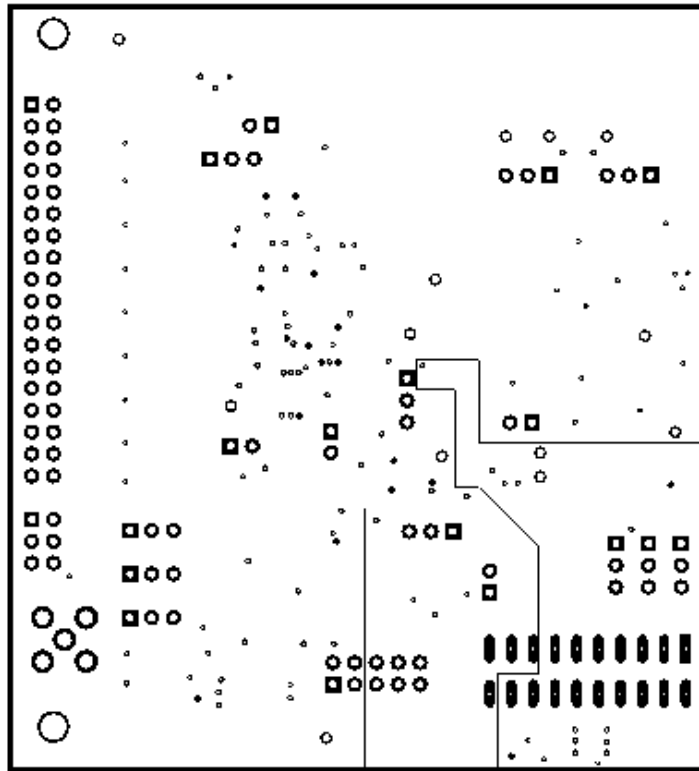


Figure 66. ADS1299EEG-FE Internal Layer (1)

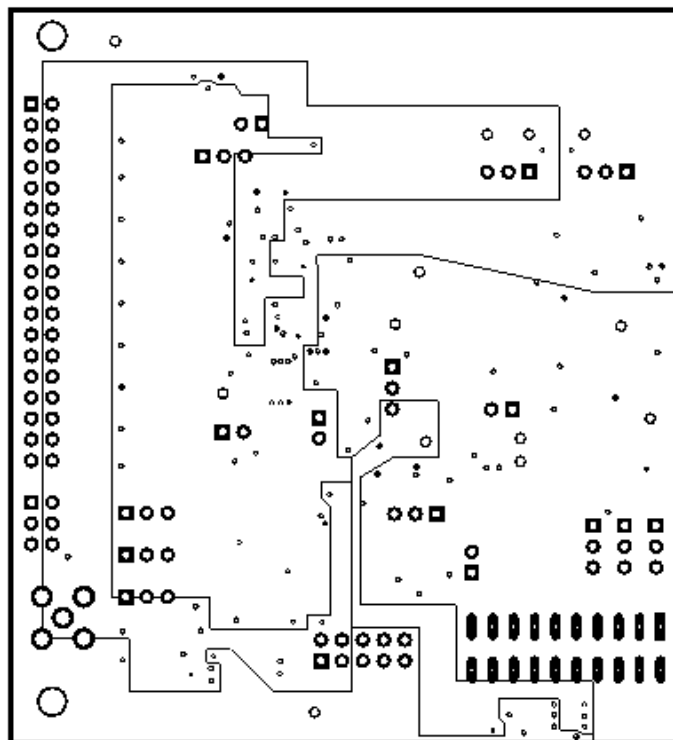


Figure 67. ADS1299EEG-FE Internal Layer (2)

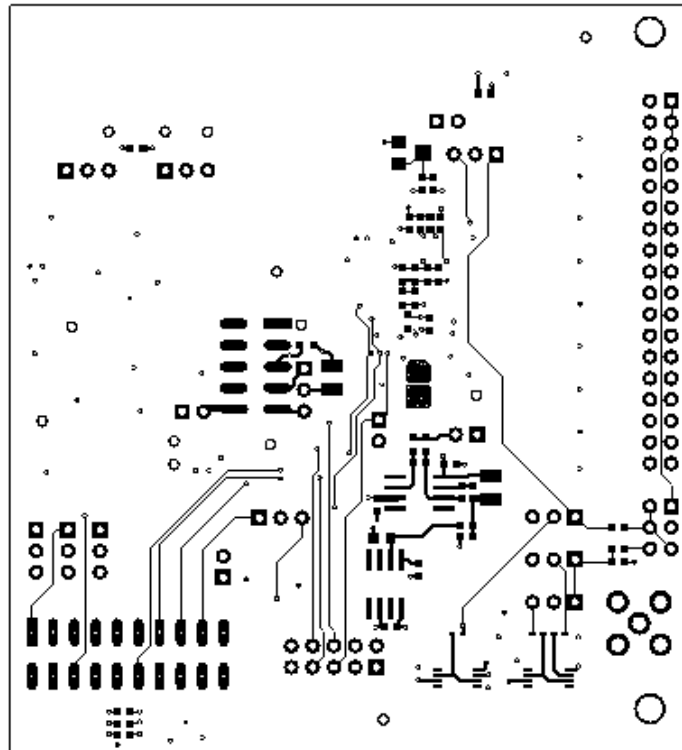


Figure 68. ADS1299EEG-FE Bottom Layer

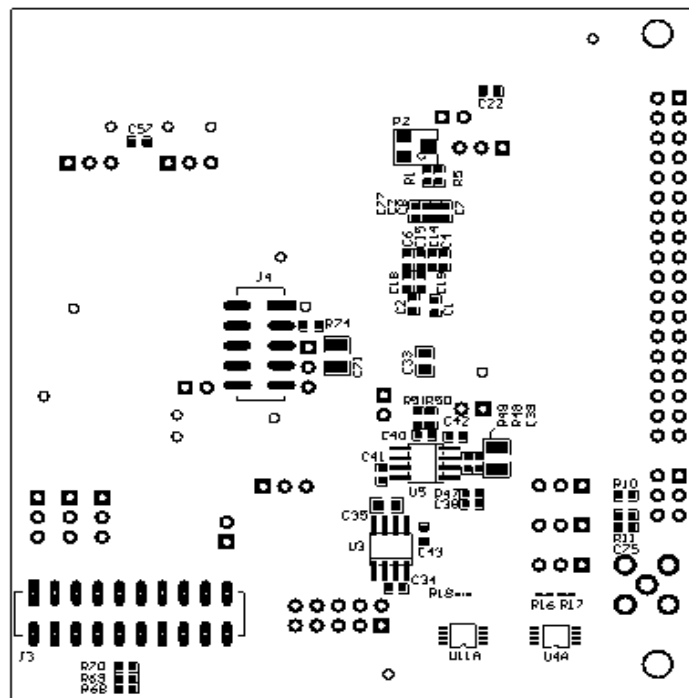


Figure 69. ADS1299EEG-FE Bottom Assembly

9.3 Bill of Materials

Table 10 lists the bill of materials for the ADS1299ECG-FE.

Table 10. Bill of Materials

Qty	Ref Des	Description	MFR	Part Number
1	NA	Printed Wiring Board	TI	6541979
19	C1, C2, C3, C4, C5, C6, C11, C17, C23, C24, C47, C48, C49, C58, C62, C76, C77, C97, C99	CAP CER 1UF 25V, 10% X5R 0603	Murata	GRM188R61E105KA12D
0	C7, C8, C15, C19, C21, C22, C34, C38, C40, C41, C42, C43, C98	Not Installed		
3	C9, C68, C71	CAP CER 100UF 10V, 20% X5R 1210	Taiyo Yuden	LMK325BJ107MM-T
9	C10, C45, C46, C50, C51, C60, C61, C65, C66	CAP CER 10UF 10V, 10% X5R 0805	Murata	GRM219R61A106KE44D
10	C12, C13, C14, C16, C18, C57, C69, C70, C94, C95	CAP CER 0.1UF 50V, 10% X7R 0603	Murata	GRM188R71H104KA93D
2	C20, C67	CAP CER 10000PF 50V, 10% X7R 0603	Murata	GRM188R71H103KA01D
0	C33, C35	Not Installed		
0	C39	Not Installed		
3	C59, C63, C64	CAP CER 2.2UF 6.3V, 10% X5R 0603	Murata	GRM185R60J225KE26D
17	C72, C73, C75, C80, C81, C82, C83, C84, C85, C86, C87, C88, C89, C90, C91, C92, C93	CAP CER 4700PF 50V, 10% X7R 0603	Murata	GRM188R71H472KA01D
1	AIN1	CONN SMA JACK STRAIGHT PCB	Amphenol	132134
			Emerson	142-0701-201
1	J3 (Top)	10 Pin, Dual Row, SM Header (20 Pos.)	Samtec	TSM-110-01-T-DV-P
2	J2, J3 (Bottom)	10 Pin, Dual Row, SM Header (20 Pos.)	Samtec	SSW-110-22-F-D-VS-K
1	J4 (Bottom)	5 Pin, Dual Row, SM Header (10 Pos.)	Samtec	SSW-105-22-F-D-VS-K
0	J5	Not Installed		
1	J6	18 Pin, Dual Row, Header (36 Pos.)	Samtec	SSW-118-21-F-D
11	JP1, JP2, JP6, JP7, JP8, JP18, JP20, JP21, JP22, JP23, JP24	3 Position Jumper 0.1" spacing	Samtec	TSW-103-07-T-S
0	JP3	Not Installed		
4	JP4, JP5, JP17, JP19	2 Pin 0.1inch, Header	Samtec	TSW-102-07-T-S
1	JP25	3 Pin, Dual Row, Header (6 Pos.)	Samtec	TSW-103-07-T-D
4	L1, L2, L4, L5	INDUCTOR MULTILAYER 3.3UH 0805	TDK	MLZ2012A3R3W
1	OSC1	OSC 2.0480 MHZ 3.3 V, HCMOS SMT	Fox	FXO-HC735-2.048MHZ
0	R1, R4, R5, R47, R48, R49, R50, R51, R52, R53, R56, R57, R68, R69, R70	Not Installed		
0	R2	Not Installed		
6	R3, R25, R71, R72, R73, R74	RES 0.0 OHM 1/10W 5% 0603 SMD	Yageo	RC0603JR-070RL
4	R6, R7, R67, R75	RES 10.0K OHM 1/10W 1% 0603 SMD	Yageo	RC0603FR-0710KL
1	R8	RES 392K OHM 1/10W 1% 0603 SMD	Yageo	RC0603FR-07392KL
19	R10, R11, R12, R80, R81, R82, R83, R84, R85, R86, R87, R88, R89, R90, R91, R92, R93, R94, R95	RES 4.99K OHM 1/10W 1% 0603 SMD	Yageo	RC0603FR-074K99L
3	R13, R14, R15	RES 0.0 OHM 1/16W 0402 SMD	Yageo	RC0402JR-070RL
0	R16, R17, R18	Not Installed		
2	R23, R24	RES 2.0M OHM 1/10W 5% 0603 SMD	Yageo	RC0603JR-072ML

Table 10. Bill of Materials (continued)

Qty	Ref Des	Description	MFR	Part Number
5	TP1, TP2, TP8, TP11, TP12	TEST POINT PC MINI .040"D BLACK	Keystone	5001
8	TP3, TP4, TP5, TP6, TP7, TP9, TP10, TP13	TEST POINT PC MINI .040"D RED	Keystone	5000
1	U1	ADS1299, Low-Noise, 8-Channel, 24-bit analog Front-End for Biopotential Measurements	TI	ADS1299CPAG
0	U2	Not Installed		
0	U3, U5	Not Installed		
2	U4, U11	IC OP AMP GP 5.5MHZ SGL 8SOIC	TI	OPA376AID
0	U4A, U11A	Not Installed		
1	U6	IC UNREG CHRG PUMP V INV SOT23-5	TI	TPS60403DBVT
1	U8	IC LDO REG NEG 200MA 2.5 V, SOT23	TI	TPS72325DBVT
1	U9	IC LDO REG 250MA 2.5 V, SOT23-5	TI	TPS73225DBVT
1	U10	IC EEPROM 256KBIT 400KHZ 8TSSOP	Microchip	24AA256-I/ST
30	NA	0.100 Shunt - Black Shunts	3M	969102-0000-DA
1	NA	MMB0 Motherboard	TI	6462011

9.4 ADS1299EEG-FE Power-Supply Recommendations

Figure 70 shows a +6V power-supply cable (not provided in the EVM kit) connected to a battery pack with four 1.5V batteries connected in series. Connecting to a wall-powered source (provided in the EVM kit) makes the ADS1299EEG-FE more susceptible to 50Hz/60Hz noise pickup; therefore, for best performance, it is recommended to power the ADS1299EEG-FE with a battery source. This configuration minimizes the amount of noise pickup seen at the digitized output of the ADS1299.



Figure 70. Recommended Power Supply for ADS1299EEG-FE

EVALUATION BOARD/KIT/MODULE (EVM) ADDITIONAL TERMS

Texas Instruments (TI) provides the enclosed Evaluation Board/Kit/Module (EVM) under the following conditions:

The user assumes all responsibility and liability for proper and safe handling of the goods. Further, the user indemnifies TI from all claims arising from the handling or use of the goods.

Should this evaluation board/kit not meet the specifications indicated in the User's Guide, the board/kit may be returned within 30 days from the date of delivery for a full refund. THE FOREGOING LIMITED WARRANTY IS THE EXCLUSIVE WARRANTY MADE BY SELLER TO BUYER AND IS IN LIEU OF ALL OTHER WARRANTIES, EXPRESSED, IMPLIED, OR STATUTORY, INCLUDING ANY WARRANTY OF MERCHANTABILITY OR FITNESS FOR ANY PARTICULAR PURPOSE. EXCEPT TO THE EXTENT OF THE INDEMNITY SET FORTH ABOVE, NEITHER PARTY SHALL BE LIABLE TO THE OTHER FOR ANY INDIRECT, SPECIAL, INCIDENTAL, OR CONSEQUENTIAL DAMAGES.

Please read the User's Guide and, specifically, the Warnings and Restrictions notice in the User's Guide prior to handling the product. This notice contains important safety information about temperatures and voltages. For additional information on TI's environmental and/or safety programs, please visit www.ti.com/esh or contact TI.

No license is granted under any patent right or other intellectual property right of TI covering or relating to any machine, process, or combination in which such TI products or services might be or are used. TI currently deals with a variety of customers for products, and therefore our arrangement with the user is not exclusive. TI assumes no liability for applications assistance, customer product design, software performance, or infringement of patents or services described herein.

REGULATORY COMPLIANCE INFORMATION

As noted in the EVM User's Guide and/or EVM itself, this EVM and/or accompanying hardware may or may not be subject to the Federal Communications Commission (FCC) and Industry Canada (IC) rules.

For EVMs **not** subject to the above rules, this evaluation board/kit/module is intended for use for ENGINEERING DEVELOPMENT, DEMONSTRATION OR EVALUATION PURPOSES ONLY and is not considered by TI to be a finished end product fit for general consumer use. It generates, uses, and can radiate radio frequency energy and has not been tested for compliance with the limits of computing devices pursuant to part 15 of FCC or ICES-003 rules, which are designed to provide reasonable protection against radio frequency interference. Operation of the equipment may cause interference with radio communications, in which case the user at his own expense will be required to take whatever measures may be required to correct this interference.

General Statement for EVMs including a radio

User Power/Frequency Use Obligations: This radio is intended for development/professional use only in legally allocated frequency and power limits. Any use of radio frequencies and/or power availability of this EVM and its development application(s) must comply with local laws governing radio spectrum allocation and power limits for this evaluation module. It is the user's sole responsibility to only operate this radio in legally acceptable frequency space and within legally mandated power limitations. Any exceptions to this are strictly prohibited and unauthorized by Texas Instruments unless user has obtained appropriate experimental/development licenses from local regulatory authorities, which is responsibility of user including its acceptable authorization.

For EVMs annotated as FCC – FEDERAL COMMUNICATIONS COMMISSION Part 15 Compliant

Caution

This device complies with part 15 of the FCC Rules. Operation is subject to the following two conditions: (1) This device may not cause harmful interference, and (2) this device must accept any interference received, including interference that may cause undesired operation.

Changes or modifications not expressly approved by the party responsible for compliance could void the user's authority to operate the equipment.

FCC Interference Statement for Class A EVM devices

This equipment has been tested and found to comply with the limits for a Class A digital device, pursuant to part 15 of the FCC Rules. These limits are designed to provide reasonable protection against harmful interference when the equipment is operated in a commercial environment. This equipment generates, uses, and can radiate radio frequency energy and, if not installed and used in accordance with the instruction manual, may cause harmful interference to radio communications. Operation of this equipment in a residential area is likely to cause harmful interference in which case the user will be required to correct the interference at his own expense.

FCC Interference Statement for Class B EVM devices

This equipment has been tested and found to comply with the limits for a Class B digital device, pursuant to part 15 of the FCC Rules. These limits are designed to provide reasonable protection against harmful interference in a residential installation. This equipment generates, uses and can radiate radio frequency energy and, if not installed and used in accordance with the instructions, may cause harmful interference to radio communications. However, there is no guarantee that interference will not occur in a particular installation. If this equipment does cause harmful interference to radio or television reception, which can be determined by turning the equipment off and on, the user is encouraged to try to correct the interference by one or more of the following measures:

- Reorient or relocate the receiving antenna.
- Increase the separation between the equipment and receiver.
- Connect the equipment into an outlet on a circuit different from that to which the receiver is connected.
- Consult the dealer or an experienced radio/TV technician for help.

For EVMs annotated as IC – INDUSTRY CANADA Compliant

This Class A or B digital apparatus complies with Canadian ICES-003.

Changes or modifications not expressly approved by the party responsible for compliance could void the user's authority to operate the equipment.

Concerning EVMs including radio transmitters

This device complies with Industry Canada licence-exempt RSS standard(s). Operation is subject to the following two conditions: (1) this device may not cause interference, and (2) this device must accept any interference, including interference that may cause undesired operation of the device.

Concerning EVMs including detachable antennas

Under Industry Canada regulations, this radio transmitter may only operate using an antenna of a type and maximum (or lesser) gain approved for the transmitter by Industry Canada. To reduce potential radio interference to other users, the antenna type and its gain should be so chosen that the equivalent isotropically radiated power (e.i.r.p.) is not more than that necessary for successful communication.

This radio transmitter has been approved by Industry Canada to operate with the antenna types listed in the user guide with the maximum permissible gain and required antenna impedance for each antenna type indicated. Antenna types not included in this list, having a gain greater than the maximum gain indicated for that type, are strictly prohibited for use with this device.

Cet appareil numérique de la classe A ou B est conforme à la norme NMB-003 du Canada.

Les changements ou les modifications pas expressément approuvés par la partie responsable de la conformité ont pu vider l'autorité de l'utilisateur pour actionner l'équipement.

Concernant les EVMs avec appareils radio

Le présent appareil est conforme aux CNR d'Industrie Canada applicables aux appareils radio exempts de licence. L'exploitation est autorisée aux deux conditions suivantes : (1) l'appareil ne doit pas produire de brouillage, et (2) l'utilisateur de l'appareil doit accepter tout brouillage radioélectrique subi, même si le brouillage est susceptible d'en compromettre le fonctionnement.

Concernant les EVMs avec antennes détachables

Conformément à la réglementation d'Industrie Canada, le présent émetteur radio peut fonctionner avec une antenne d'un type et d'un gain maximal (ou inférieur) approuvé pour l'émetteur par Industrie Canada. Dans le but de réduire les risques de brouillage radioélectrique à l'intention des autres utilisateurs, il faut choisir le type d'antenne et son gain de sorte que la puissance isotrope rayonnée équivalente (p.i.r.e.) ne dépasse pas l'intensité nécessaire à l'établissement d'une communication satisfaisante.

Le présent émetteur radio a été approuvé par Industrie Canada pour fonctionner avec les types d'antenne énumérés dans le manuel d'usage et ayant un gain admissible maximal et l'impédance requise pour chaque type d'antenne. Les types d'antenne non inclus dans cette liste, ou dont le gain est supérieur au gain maximal indiqué, sont strictement interdits pour l'exploitation de l'émetteur.

【Important Notice for Users of this Product in Japan】

This development kit is NOT certified as Confirming to Technical Regulations of Radio Law of Japan

If you use this product in Japan, you are required by Radio Law of Japan to follow the instructions below with respect to this product:

1. Use this product in a shielded room or any other test facility as defined in the notification #173 issued by Ministry of Internal Affairs and Communications on March 28, 2006, based on Sub-section 1.1 of Article 6 of the Ministry's Rule for Enforcement of Radio Law of Japan,
2. Use this product only after you obtained the license of Test Radio Station as provided in Radio Law of Japan with respect to this product, or
3. Use of this product only after you obtained the Technical Regulations Conformity Certification as provided in Radio Law of Japan with respect to this product. Also, please do not transfer this product, unless you give the same notice above to the transferee. Please note that if you could not follow the instructions above, you will be subject to penalties of Radio Law of Japan.

Texas Instruments Japan Limited
(address) 24-1, Nishi-Shinjuku 6 chome, Shinjuku-ku, Tokyo, Japan

<http://www.tij.co.jp>

【ご使用にあたっての注】

本開発キットは技術基準適合証明を受けておりません。

本製品のご使用に際しては、電波法遵守のため、以下のいずれかの措置を取っていただく必要がありますのでご注意ください。

1. 電波法施行規則第6条第1項第1号に基づく平成18年3月28日総務省告示第173号で定められた電波暗室等の試験設備でご使用いただく。
2. 実験局の免許を取得後ご使用いただく。
3. 技術基準適合証明を取得後ご使用いただく。

なお、本製品は、上記の「ご使用にあたっての注意」を譲渡先、移転先に通知しない限り、譲渡、移転できないものとします。

上記を遵守頂けない場合は、電波法の罰則が適用される可能性があることをご留意ください。

日本テキサス・インスツルメンツ株式会社
東京都新宿区西新宿6丁目24番1号
西新宿三井ビル

<http://www.tij.co.jp>

EVALUATION BOARD/KIT/MODULE (EVM) WARNINGS, RESTRICTIONS AND DISCLAIMERS

For Feasibility Evaluation Only, in Laboratory/Development Environments. Unless otherwise indicated, this EVM is not a finished electrical equipment and not intended for consumer use. It is intended solely for use for preliminary feasibility evaluation in laboratory/development environments by technically qualified electronics experts who are familiar with the dangers and application risks associated with handling electrical mechanical components, systems and subsystems. It should not be used as all or part of a finished end product.

Your Sole Responsibility and Risk. You acknowledge, represent and agree that:

1. You have unique knowledge concerning Federal, State and local regulatory requirements (including but not limited to Food and Drug Administration regulations, if applicable) which relate to your products and which relate to your use (and/or that of your employees, affiliates, contractors or designees) of the EVM for evaluation, testing and other purposes.
2. You have full and exclusive responsibility to assure the safety and compliance of your products with all such laws and other applicable regulatory requirements, and also to assure the safety of any activities to be conducted by you and/or your employees, affiliates, contractors or designees, using the EVM. Further, you are responsible to assure that any interfaces (electronic and/or mechanical) between the EVM and any human body are designed with suitable isolation and means to safely limit accessible leakage currents to minimize the risk of electrical shock hazard.
3. You will employ reasonable safeguards to ensure that your use of the EVM will not result in any property damage, injury or death, even if the EVM should fail to perform as described or expected.
4. You will take care of proper disposal and recycling of the EVM's electronic components and packing materials.

Certain Instructions. It is important to operate this EVM within TI's recommended specifications and environmental considerations per the user guidelines. Exceeding the specified EVM ratings (including but not limited to input and output voltage, current, power, and environmental ranges) may cause property damage, personal injury or death. If there are questions concerning these ratings please contact a TI field representative prior to connecting interface electronics including input power and intended loads. Any loads applied outside of the specified output range may result in unintended and/or inaccurate operation and/or possible permanent damage to the EVM and/or interface electronics. Please consult the EVM User's Guide prior to connecting any load to the EVM output. If there is uncertainty as to the load specification, please contact a TI field representative. During normal operation, some circuit components may have case temperatures greater than 60°C as long as the input and output are maintained at a normal ambient operating temperature. These components include but are not limited to linear regulators, switching transistors, pass transistors, and current sense resistors which can be identified using the EVM schematic located in the EVM User's Guide. When placing measurement probes near these devices during normal operation, please be aware that these devices may be very warm to the touch. As with all electronic evaluation tools, only qualified personnel knowledgeable in electronic measurement and diagnostics normally found in development environments should use these EVMs.

Agreement to Defend, Indemnify and Hold Harmless. You agree to defend, indemnify and hold TI, its licensors and their representatives harmless from and against any and all claims, damages, losses, expenses, costs and liabilities (collectively, "Claims") arising out of or in connection with any use of the EVM that is not in accordance with the terms of the agreement. This obligation shall apply whether Claims arise under law of tort or contract or any other legal theory, and even if the EVM fails to perform as described or expected.

Safety-Critical or Life-Critical Applications. If you intend to evaluate the components for possible use in safety critical applications (such as life support) where a failure of the TI product would reasonably be expected to cause severe personal injury or death, such as devices which are classified as FDA Class III or similar classification, then you must specifically notify TI of such intent and enter into a separate Assurance and Indemnity Agreement.

Mailing Address: Texas Instruments, Post Office Box 655303, Dallas, Texas 75265
Copyright © 2012, Texas Instruments Incorporated

EVALUATION BOARD/KIT/MODULE (EVM) ADDITIONAL TERMS

Texas Instruments (TI) provides the enclosed Evaluation Board/Kit/Module (EVM) under the following conditions:

The user assumes all responsibility and liability for proper and safe handling of the goods. Further, the user indemnifies TI from all claims arising from the handling or use of the goods.

Should this evaluation board/kit not meet the specifications indicated in the User's Guide, the board/kit may be returned within 30 days from the date of delivery for a full refund. THE FOREGOING LIMITED WARRANTY IS THE EXCLUSIVE WARRANTY MADE BY SELLER TO BUYER AND IS IN LIEU OF ALL OTHER WARRANTIES, EXPRESSED, IMPLIED, OR STATUTORY, INCLUDING ANY WARRANTY OF MERCHANTABILITY OR FITNESS FOR ANY PARTICULAR PURPOSE. EXCEPT TO THE EXTENT OF THE INDEMNITY SET FORTH ABOVE, NEITHER PARTY SHALL BE LIABLE TO THE OTHER FOR ANY INDIRECT, SPECIAL, INCIDENTAL, OR CONSEQUENTIAL DAMAGES.

Please read the User's Guide and, specifically, the Warnings and Restrictions notice in the User's Guide prior to handling the product. This notice contains important safety information about temperatures and voltages. For additional information on TI's environmental and/or safety programs, please visit www.ti.com/esh or contact TI.

No license is granted under any patent right or other intellectual property right of TI covering or relating to any machine, process, or combination in which such TI products or services might be or are used. TI currently deals with a variety of customers for products, and therefore our arrangement with the user is not exclusive. TI assumes no liability for applications assistance, customer product design, software performance, or infringement of patents or services described herein.

REGULATORY COMPLIANCE INFORMATION

As noted in the EVM User's Guide and/or EVM itself, this EVM and/or accompanying hardware may or may not be subject to the Federal Communications Commission (FCC) and Industry Canada (IC) rules.

For EVMs **not** subject to the above rules, this evaluation board/kit/module is intended for use for ENGINEERING DEVELOPMENT, DEMONSTRATION OR EVALUATION PURPOSES ONLY and is not considered by TI to be a finished end product fit for general consumer use. It generates, uses, and can radiate radio frequency energy and has not been tested for compliance with the limits of computing devices pursuant to part 15 of FCC or ICES-003 rules, which are designed to provide reasonable protection against radio frequency interference. Operation of the equipment may cause interference with radio communications, in which case the user at his own expense will be required to take whatever measures may be required to correct this interference.

General Statement for EVMs including a radio

User Power/Frequency Use Obligations: This radio is intended for development/professional use only in legally allocated frequency and power limits. Any use of radio frequencies and/or power availability of this EVM and its development application(s) must comply with local laws governing radio spectrum allocation and power limits for this evaluation module. It is the user's sole responsibility to only operate this radio in legally acceptable frequency space and within legally mandated power limitations. Any exceptions to this are strictly prohibited and unauthorized by Texas Instruments unless user has obtained appropriate experimental/development licenses from local regulatory authorities, which is responsibility of user including its acceptable authorization.

For EVMs annotated as FCC – FEDERAL COMMUNICATIONS COMMISSION Part 15 Compliant

Caution

This device complies with part 15 of the FCC Rules. Operation is subject to the following two conditions: (1) This device may not cause harmful interference, and (2) this device must accept any interference received, including interference that may cause undesired operation.

Changes or modifications not expressly approved by the party responsible for compliance could void the user's authority to operate the equipment.

FCC Interference Statement for Class A EVM devices

This equipment has been tested and found to comply with the limits for a Class A digital device, pursuant to part 15 of the FCC Rules. These limits are designed to provide reasonable protection against harmful interference when the equipment is operated in a commercial environment. This equipment generates, uses, and can radiate radio frequency energy and, if not installed and used in accordance with the instruction manual, may cause harmful interference to radio communications. Operation of this equipment in a residential area is likely to cause harmful interference in which case the user will be required to correct the interference at his own expense.

FCC Interference Statement for Class B EVM devices

This equipment has been tested and found to comply with the limits for a Class B digital device, pursuant to part 15 of the FCC Rules. These limits are designed to provide reasonable protection against harmful interference in a residential installation. This equipment generates, uses and can radiate radio frequency energy and, if not installed and used in accordance with the instructions, may cause harmful interference to radio communications. However, there is no guarantee that interference will not occur in a particular installation. If this equipment does cause harmful interference to radio or television reception, which can be determined by turning the equipment off and on, the user is encouraged to try to correct the interference by one or more of the following measures:

- Reorient or relocate the receiving antenna.
- Increase the separation between the equipment and receiver.
- Connect the equipment into an outlet on a circuit different from that to which the receiver is connected.
- Consult the dealer or an experienced radio/TV technician for help.

For EVMs annotated as IC – INDUSTRY CANADA Compliant

This Class A or B digital apparatus complies with Canadian ICES-003.

Changes or modifications not expressly approved by the party responsible for compliance could void the user's authority to operate the equipment.

Concerning EVMs including radio transmitters

This device complies with Industry Canada licence-exempt RSS standard(s). Operation is subject to the following two conditions: (1) this device may not cause interference, and (2) this device must accept any interference, including interference that may cause undesired operation of the device.

Concerning EVMs including detachable antennas

Under Industry Canada regulations, this radio transmitter may only operate using an antenna of a type and maximum (or lesser) gain approved for the transmitter by Industry Canada. To reduce potential radio interference to other users, the antenna type and its gain should be so chosen that the equivalent isotropically radiated power (e.i.r.p.) is not more than that necessary for successful communication.

This radio transmitter has been approved by Industry Canada to operate with the antenna types listed in the user guide with the maximum permissible gain and required antenna impedance for each antenna type indicated. Antenna types not included in this list, having a gain greater than the maximum gain indicated for that type, are strictly prohibited for use with this device.

Cet appareil numérique de la classe A ou B est conforme à la norme NMB-003 du Canada.

Les changements ou les modifications pas expressément approuvés par la partie responsable de la conformité ont pu vider l'autorité de l'utilisateur pour actionner l'équipement.

Concernant les EVMs avec appareils radio

Le présent appareil est conforme aux CNR d'Industrie Canada applicables aux appareils radio exempts de licence. L'exploitation est autorisée aux deux conditions suivantes : (1) l'appareil ne doit pas produire de brouillage, et (2) l'utilisateur de l'appareil doit accepter tout brouillage radioélectrique subi, même si le brouillage est susceptible d'en compromettre le fonctionnement.

Concernant les EVMs avec antennes détachables

Conformément à la réglementation d'Industrie Canada, le présent émetteur radio peut fonctionner avec une antenne d'un type et d'un gain maximal (ou inférieur) approuvé pour l'émetteur par Industrie Canada. Dans le but de réduire les risques de brouillage radioélectrique à l'intention des autres utilisateurs, il faut choisir le type d'antenne et son gain de sorte que la puissance isotrope rayonnée équivalente (p.i.r.e.) ne dépasse pas l'intensité nécessaire à l'établissement d'une communication satisfaisante.

Le présent émetteur radio a été approuvé par Industrie Canada pour fonctionner avec les types d'antenne énumérés dans le manuel d'usage et ayant un gain admissible maximal et l'impédance requise pour chaque type d'antenne. Les types d'antenne non inclus dans cette liste, ou dont le gain est supérieur au gain maximal indiqué, sont strictement interdits pour l'exploitation de l'émetteur.

【Important Notice for Users of this Product in Japan】

This development kit is NOT certified as Confirming to Technical Regulations of Radio Law of Japan

If you use this product in Japan, you are required by Radio Law of Japan to follow the instructions below with respect to this product:

1. Use this product in a shielded room or any other test facility as defined in the notification #173 issued by Ministry of Internal Affairs and Communications on March 28, 2006, based on Sub-section 1.1 of Article 6 of the Ministry's Rule for Enforcement of Radio Law of Japan,
2. Use this product only after you obtained the license of Test Radio Station as provided in Radio Law of Japan with respect to this product, or
3. Use of this product only after you obtained the Technical Regulations Conformity Certification as provided in Radio Law of Japan with respect to this product. Also, please do not transfer this product, unless you give the same notice above to the transferee. Please note that if you could not follow the instructions above, you will be subject to penalties of Radio Law of Japan.

Texas Instruments Japan Limited
(address) 24-1, Nishi-Shinjuku 6 chome, Shinjuku-ku, Tokyo, Japan

<http://www.tij.co.jp>

【ご使用にあたっての注】

本開発キットは技術基準適合証明を受けておりません。

本製品のご使用に際しては、電波法遵守のため、以下のいずれかの措置を取っていただく必要がありますのでご注意ください。

1. 電波法施行規則第6条第1項第1号に基づく平成18年3月28日総務省告示第173号で定められた電波暗室等の試験設備でご使用いただく。
2. 実験局の免許を取得後ご使用いただく。
3. 技術基準適合証明を取得後ご使用いただく。

なお、本製品は、上記の「ご使用にあたっての注意」を譲渡先、移転先に通知しない限り、譲渡、移転できないものとします。

上記を遵守頂けない場合は、電波法の罰則が適用される可能性があることをご留意ください。

日本テキサス・インスツルメンツ株式会社
東京都新宿区西新宿6丁目24番1号
西新宿三井ビル

<http://www.tij.co.jp>

EVALUATION BOARD/KIT/MODULE (EVM) WARNINGS, RESTRICTIONS AND DISCLAIMERS

For Feasibility Evaluation Only, in Laboratory/Development Environments. Unless otherwise indicated, this EVM is not a finished electrical equipment and not intended for consumer use. It is intended solely for use for preliminary feasibility evaluation in laboratory/development environments by technically qualified electronics experts who are familiar with the dangers and application risks associated with handling electrical mechanical components, systems and subsystems. It should not be used as all or part of a finished end product.

Your Sole Responsibility and Risk. You acknowledge, represent and agree that:

1. You have unique knowledge concerning Federal, State and local regulatory requirements (including but not limited to Food and Drug Administration regulations, if applicable) which relate to your products and which relate to your use (and/or that of your employees, affiliates, contractors or designees) of the EVM for evaluation, testing and other purposes.
2. You have full and exclusive responsibility to assure the safety and compliance of your products with all such laws and other applicable regulatory requirements, and also to assure the safety of any activities to be conducted by you and/or your employees, affiliates, contractors or designees, using the EVM. Further, you are responsible to assure that any interfaces (electronic and/or mechanical) between the EVM and any human body are designed with suitable isolation and means to safely limit accessible leakage currents to minimize the risk of electrical shock hazard.
3. You will employ reasonable safeguards to ensure that your use of the EVM will not result in any property damage, injury or death, even if the EVM should fail to perform as described or expected.
4. You will take care of proper disposal and recycling of the EVM's electronic components and packing materials.

Certain Instructions. It is important to operate this EVM within TI's recommended specifications and environmental considerations per the user guidelines. Exceeding the specified EVM ratings (including but not limited to input and output voltage, current, power, and environmental ranges) may cause property damage, personal injury or death. If there are questions concerning these ratings please contact a TI field representative prior to connecting interface electronics including input power and intended loads. Any loads applied outside of the specified output range may result in unintended and/or inaccurate operation and/or possible permanent damage to the EVM and/or interface electronics. Please consult the EVM User's Guide prior to connecting any load to the EVM output. If there is uncertainty as to the load specification, please contact a TI field representative. During normal operation, some circuit components may have case temperatures greater than 60°C as long as the input and output are maintained at a normal ambient operating temperature. These components include but are not limited to linear regulators, switching transistors, pass transistors, and current sense resistors which can be identified using the EVM schematic located in the EVM User's Guide. When placing measurement probes near these devices during normal operation, please be aware that these devices may be very warm to the touch. As with all electronic evaluation tools, only qualified personnel knowledgeable in electronic measurement and diagnostics normally found in development environments should use these EVMs.

Agreement to Defend, Indemnify and Hold Harmless. You agree to defend, indemnify and hold TI, its licensors and their representatives harmless from and against any and all claims, damages, losses, expenses, costs and liabilities (collectively, "Claims") arising out of or in connection with any use of the EVM that is not in accordance with the terms of the agreement. This obligation shall apply whether Claims arise under law of tort or contract or any other legal theory, and even if the EVM fails to perform as described or expected.

Safety-Critical or Life-Critical Applications. If you intend to evaluate the components for possible use in safety critical applications (such as life support) where a failure of the TI product would reasonably be expected to cause severe personal injury or death, such as devices which are classified as FDA Class III or similar classification, then you must specifically notify TI of such intent and enter into a separate Assurance and Indemnity Agreement.

Mailing Address: Texas Instruments, Post Office Box 655303, Dallas, Texas 75265
Copyright © 2012, Texas Instruments Incorporated

IMPORTANT NOTICE

Texas Instruments Incorporated and its subsidiaries (TI) reserve the right to make corrections, enhancements, improvements and other changes to its semiconductor products and services per JESD46, latest issue, and to discontinue any product or service per JESD48, latest issue. Buyers should obtain the latest relevant information before placing orders and should verify that such information is current and complete. All semiconductor products (also referred to herein as "components") are sold subject to TI's terms and conditions of sale supplied at the time of order acknowledgment.

TI warrants performance of its components to the specifications applicable at the time of sale, in accordance with the warranty in TI's terms and conditions of sale of semiconductor products. Testing and other quality control techniques are used to the extent TI deems necessary to support this warranty. Except where mandated by applicable law, testing of all parameters of each component is not necessarily performed.

TI assumes no liability for applications assistance or the design of Buyers' products. Buyers are responsible for their products and applications using TI components. To minimize the risks associated with Buyers' products and applications, Buyers should provide adequate design and operating safeguards.

TI does not warrant or represent that any license, either express or implied, is granted under any patent right, copyright, mask work right, or other intellectual property right relating to any combination, machine, or process in which TI components or services are used. Information published by TI regarding third-party products or services does not constitute a license to use such products or services or a warranty or endorsement thereof. Use of such information may require a license from a third party under the patents or other intellectual property of the third party, or a license from TI under the patents or other intellectual property of TI.

Reproduction of significant portions of TI information in TI data books or data sheets is permissible only if reproduction is without alteration and is accompanied by all associated warranties, conditions, limitations, and notices. TI is not responsible or liable for such altered documentation. Information of third parties may be subject to additional restrictions.

Resale of TI components or services with statements different from or beyond the parameters stated by TI for that component or service voids all express and any implied warranties for the associated TI component or service and is an unfair and deceptive business practice. TI is not responsible or liable for any such statements.

Buyer acknowledges and agrees that it is solely responsible for compliance with all legal, regulatory and safety-related requirements concerning its products, and any use of TI components in its applications, notwithstanding any applications-related information or support that may be provided by TI. Buyer represents and agrees that it has all the necessary expertise to create and implement safeguards which anticipate dangerous consequences of failures, monitor failures and their consequences, lessen the likelihood of failures that might cause harm and take appropriate remedial actions. Buyer will fully indemnify TI and its representatives against any damages arising out of the use of any TI components in safety-critical applications.

In some cases, TI components may be promoted specifically to facilitate safety-related applications. With such components, TI's goal is to help enable customers to design and create their own end-product solutions that meet applicable functional safety standards and requirements. Nonetheless, such components are subject to these terms.

No TI components are authorized for use in FDA Class III (or similar life-critical medical equipment) unless authorized officers of the parties have executed a special agreement specifically governing such use.

Only those TI components which TI has specifically designated as military grade or "enhanced plastic" are designed and intended for use in military/aerospace applications or environments. Buyer acknowledges and agrees that any military or aerospace use of TI components which have **not** been so designated is solely at the Buyer's risk, and that Buyer is solely responsible for compliance with all legal and regulatory requirements in connection with such use.

TI has specifically designated certain components which meet ISO/TS16949 requirements, mainly for automotive use. Components which have not been so designated are neither designed nor intended for automotive use; and TI will not be responsible for any failure of such components to meet such requirements.

Products

Audio	www.ti.com/audio
Amplifiers	amplifier.ti.com
Data Converters	dataconverter.ti.com
DLP® Products	www.dlp.com
DSP	dsp.ti.com
Clocks and Timers	www.ti.com/clocks
Interface	interface.ti.com
Logic	logic.ti.com
Power Mgmt	power.ti.com
Microcontrollers	microcontroller.ti.com
RFID	www.ti-rfid.com
OMAP Applications Processors	www.ti.com/omap
Wireless Connectivity	www.ti.com/wirelessconnectivity

Applications

Automotive and Transportation	www.ti.com/automotive
Communications and Telecom	www.ti.com/communications
Computers and Peripherals	www.ti.com/computers
Consumer Electronics	www.ti.com/consumer-apps
Energy and Lighting	www.ti.com/energy
Industrial	www.ti.com/industrial
Medical	www.ti.com/medical
Security	www.ti.com/security
Space, Avionics and Defense	www.ti.com/space-avionics-defense
Video and Imaging	www.ti.com/video

TI E2E Community

e2e.ti.com