

UCD3138

Highly Integrated Digital Controller for Isolated Power

Data Manual



PRODUCTION DATA information is current as of publication date. Products conform to specifications per the terms of the Texas Instruments standard warranty. Production processing does not necessarily include testing of all parameters.

Literature Number: SLUSAP2 A
March 2012–Revised March 2012

Contents

1	Introduction	6
	1.1 Features	6
	1.2 Applications	7
2	Overview	7
	2.1 Description	7
	2.2 Ordering Information	8
	2.3 Product Selection Matrix	8
	2.4 Functional Block Diagram	9
	2.5 UCD3138 64 QFN – Pin Assignments	10
	2.6 Pin Functions	11
	2.7 UCD3138 40 QFN – Pin Assignments	13
	2.8 Pin Functions	14
3	Electrical Specifications	15
	3.1 ABSOLUTE MAXIMUM RATINGS	15
	3.2 THERMAL INFORMATION	15
	3.3 RECOMMENDED OPERATING CONDITIONS	15
	3.4 ELECTRICAL CHARACTERISTICS	15
	3.5 PMBus/SMBus/I ² C Timing	19
	3.6 Power On Reset (POR) / Brown Out Reset (BOR)	20
	3.7 Typical Clock Gating Power Savings	21
4	Functional Overview	22
	4.1 ARM Processor	22
	4.2 Memory	22
	4.2.1 CPU Memory Map and Interrupts	22
	4.2.1.1 Memory Map (After Reset Operation)	22
	4.2.1.2 Memory Map (Normal Operation)	23
	4.2.1.3 Memory Map (System and Peripherals Blocks)	23
	4.2.2 Boot ROM	23
	4.2.3 Customer Boot Program	24
	4.2.4 Flash Management	24
	4.3 System Module	24
	4.3.1 Address Decoder (DEC)	24
	4.3.2 Memory Management Controller (MMC)	24
	4.3.3 System Management (SYS)	24
	4.3.4 Central Interrupt Module (CIM)	25
	4.4 Peripherals	26
	4.4.1 Fusion Digital Power Peripherals	26
	4.4.1.1 Front End	26
	4.4.1.2 DPWM Module	27
	4.4.1.3 DPWM Events	28
	4.4.1.4 High Resolution PWM	30
	4.4.1.5 Over Sampling	30
	4.4.1.6 DPWM Interrupt Generation	30
	4.4.1.7 DPWM Interrupt Scaling/Range	30
	4.5 DPWM Modes of Operation	31
	4.5.1 Normal Mode	31
	4.6 Phase Shifting	33
	4.7 DPWM Multiple Output Mode	34
	4.8 DPWM Resonant Mode	36
	4.9 Triangular Mode	37
	4.10 Leading Edge Mode	38

4.11	Sync FET Ramp and IDE Calculation	40
4.12	Automatic Mode Switching	40
4.12.1	Phase Shifted Full Bridge Example	40
4.12.2	LLC Example	41
4.12.3	Mechanism for Automatic Mode Switching	42
4.13	DPWMC, Edge Generation, IntraMux	43
4.14	Filter	44
4.14.1	Loop Multiplexer	46
4.14.2	Fault Multiplexer	47
4.15	Communication Ports	49
4.15.1	SCI (UART) Serial Communication Interface	49
4.15.2	PMBUS	49
4.15.3	General Purpose ADC12	50
4.15.4	Timers	51
4.15.4.1	24-bit PWM Timer	51
4.15.4.2	16-Bit PWM Timers	52
4.15.4.3	Watchdog Timer	52
4.16	Miscellaneous Analog	52
4.17	Package ID Information	52
4.18	Brownout	52
4.19	Global I/O	53
4.20	Temperature Sensor Control	54
4.21	I/O Mux Control	54
4.21.1	JTAG Use for I/O and JTAG Security	55
4.22	Current Sharing Control	55
4.23	Temperature Reference	55
4.24	Power Disable Control or (Clock Gating Control)	56
5	IC Grounding and Layout Recommendations	57
6	References	58
7	Mechanical Data	59
	Revision History	60

List of Figures

3-1	I ² C/SMBus/PMBus Timing Diagram	20
3-2	Bus timing in Extended Mode	20
3-3	Power On Reset (POR) / Brown Out Reset (BOR)	20
4-1	EADC Module	27
4-2	Fault Mux Block Diagram	49
4-3	PMBus Address Detection Method	50
4-4	ADC12 Control Block Diagram	51
4-5	Internal Temp Sensor	54

List of Tables

2-1	Pin Functions	11
2-2	Pin Functions	14
3-1	I ² C/SMBus/PMBus Timing Characteristics	19
4-1	Interrupt Priority Table	25
4-2	DPWM Interrupt Divide Ratio	30

Highly Integrated Digital Controller for Isolated Power

Check for Samples: [UCD3138](#)

1 Introduction

1.1 Features

- **Digital Control of up to 3 Independent Feedback Loops**
 - Dedicated PID based hardware
 - 2-pole/2-zero configurable
 - Non-Linear Control
- **Up to 16MHz Error Analog to Digital Converter (EADC)**
 - Configurable Resolution as Small as 1mV/LSB
 - Automatic Resolution Selection
 - Up to 8x Oversampling
 - Hardware Based Averaging (up to 8x)
 - 14 bit Effective DAC
- **Up to 8 High Resolution Digital Pulse Width Modulated (DPWM) Outputs**
 - 250ps Pulse Width Resolution
 - 4ns Frequency Resolution
 - 4ns Phase Resolution
 - Adjustable Phase Shift Between Outputs
 - Adjustable Dead-band Between Pairs
 - Up to 2MHz Switching Frequency
- **Configurable PWM Edge Movement**
 - Trailing Modulation
 - Leading Modulation
 - Dual Edge Modulation
- **Configurable Feedback Control**
 - Voltage Mode
 - Average Current Mode
 - Peak Current Mode Control
 - Constant Current
 - Constant Power
- **Configurable Modulation Methods**
 - Frequency Modulation
 - Phase Shift Modulation
 - Pulse Width Modulation
- **Fast, Automatic and Smooth Mode Switching**
 - Frequency Modulation and PWM
 - Phase Shift Modulation and PWM
- **High Efficiency and Light Load Management**
 - Burst Mode
 - Ideal Diode Emulation
 - Synchronous Rectifier Soft On/Off
 - Low IC Standby Power
- **Soft Start / Stop with and without Pre-bias**
- **Fast Input Voltage Feed Forward Hardware**
- **Primary Side Voltage Sensing**
- **Copper Trace Current Sensing**
- **Flux and Phase Current Balancing for Non-Peak Current Mode Control Applications**
- **Current Share Bus Support**
 - Analog Average
 - Master/Slave
- **Feature Rich Fault Protection Options**
 - 7 High Speed Analog Comparators
 - Cycle-by-Cycle Current Limiting
 - Programmable Fault Counting
 - External Fault Inputs
 - 4–10 Digital Comparators
 - Programmable blanking time
- **Synchronization of DPWM waveforms between multiple UCD313x devices**
- **14 channel, 12 bit, 265 ksps General Purpose ADC with integrated**
 - Programmable averaging filters
 - Dual sample and hold
- **Internal Temperature Sensor**
- **Fully Programmable High-Performance 31.25MHz, 32-bit ARM7TDMI-S Processor**
 - 32 kByte (kB) Program Flash
 - 2 kB Data Flash with ECC
 - 4 kB Data RAM
 - 4 kB Boot ROM Enables Firmware Boot-Load in the Field via I²C or UART
- **Communication Peripherals**
 - I²C/PMBus
 - 2 UARTs
- **JTAG Debug Port**
- **Timer capture with selectable input pins**
- **Up to 5 Additional General Purpose Timers**
- **Built In Watchdog: BOD and POR**
- **64-pin QFN and 40-pin QFN packages**
- **Operating Temperature: –40°C to 125°C**
- **Fusion Digital Power GUI Support**



Please be aware that an important notice concerning availability, standard warranty, and use in critical applications of Texas Instruments semiconductor products and disclaimers thereto appears at the end of this data sheet.

1.2 Applications

- Power Supplies and Telecom Rectifiers
- Power Factor Correction
- Isolated dc-dc Modules

2 Overview

2.1 Description

The UCD3138 is a digital power supply controller from Texas Instruments offering superior levels of integration and performance in a single chip solution. The flexible nature of the UCD3138 makes it suitable for a wide variety of power conversion applications. In addition, multiple peripherals inside the device have been specifically optimized to enhance the performance of ac/dc and isolated dc/dc applications and reduce the solution component count in the IT and network infrastructure space.

The UCD3138 is a fully programmable solution offering customers complete control of their application, along with ample ability to differentiate their solution. At the same time, TI is committed to simplifying our customer's development effort through offering best in class development tools, including application firmware, Code Composer Studio™ software development environment, and TI's Fusion Power Development GUI which enables customers to configure and monitor key system parameters.

At the core of the UCD3138 controller are the digital control loop peripherals, also known as Fusion Digital Power Peripherals (FDPP). Each FDPP implements a high speed digital control loop consisting of a dedicated Error Analog to Digital Converter (EADC), a PID based 2 pole–2 zero digital compensator and DPWM outputs with 250 ps pulse width resolution. The device also contains a 12-bit, 265ksps general purpose ADC with up to 14 channels, timers, interrupt control, JTAG debug and PMBus and UART communications ports. The device is based on a 32-bit ARM7TDMI-S RISC microcontroller that performs real-time monitoring, configures peripherals and manages communications. The ARM microcontroller executes its program out of programmable flash memory as well as on-chip RAM and ROM.

In addition to the FDPP, specific power management peripherals have been added to enable high efficiency across the entire operating range, high integration for increased power density, reliability, and lowest overall system cost and high flexibility with support for the widest number of control schemes and topologies. Such peripherals include: light load burst mode, synchronous rectification, LLC and phase shifted full bridge mode switching, input voltage feed forward, copper trace current sense, ideal diode emulation, constant current constant power control, synchronous rectification soft on and off, peak current mode control, flux balancing, secondary side input voltage sensing, high resolution current sharing, hardware configurable soft start with pre bias, as well as several other features. Topology support has been optimized for voltage mode and peak current mode controlled phase shifted full bridge, single and dual phase PFC, bridgeless PFC, hard switched full bridge and half bridge, and LLC half bridge and full bridge.

2.2 Ordering Information

PART NUMBER	PIN COUNT	PACKAGE	SUPPLY	TOP SIDE MARKING	OPERATING TEMPERATURE RANGE, T _A
UCD3138RGCT	64	QFN	250 (Small Reel)	UCD3138	–40°C to 125°C
UCD3138RGCR	64	QFN	2000 (Large Reel)	UCD3138	–40°C to 125°C
UCD3138RHAT	40	QFN	250 (Small Reel)	UCD3138	–40°C to 125°C
UCD3138RHAR	40	QFN	2500 (large Reel)	UCD3138	–40°C to 125°C

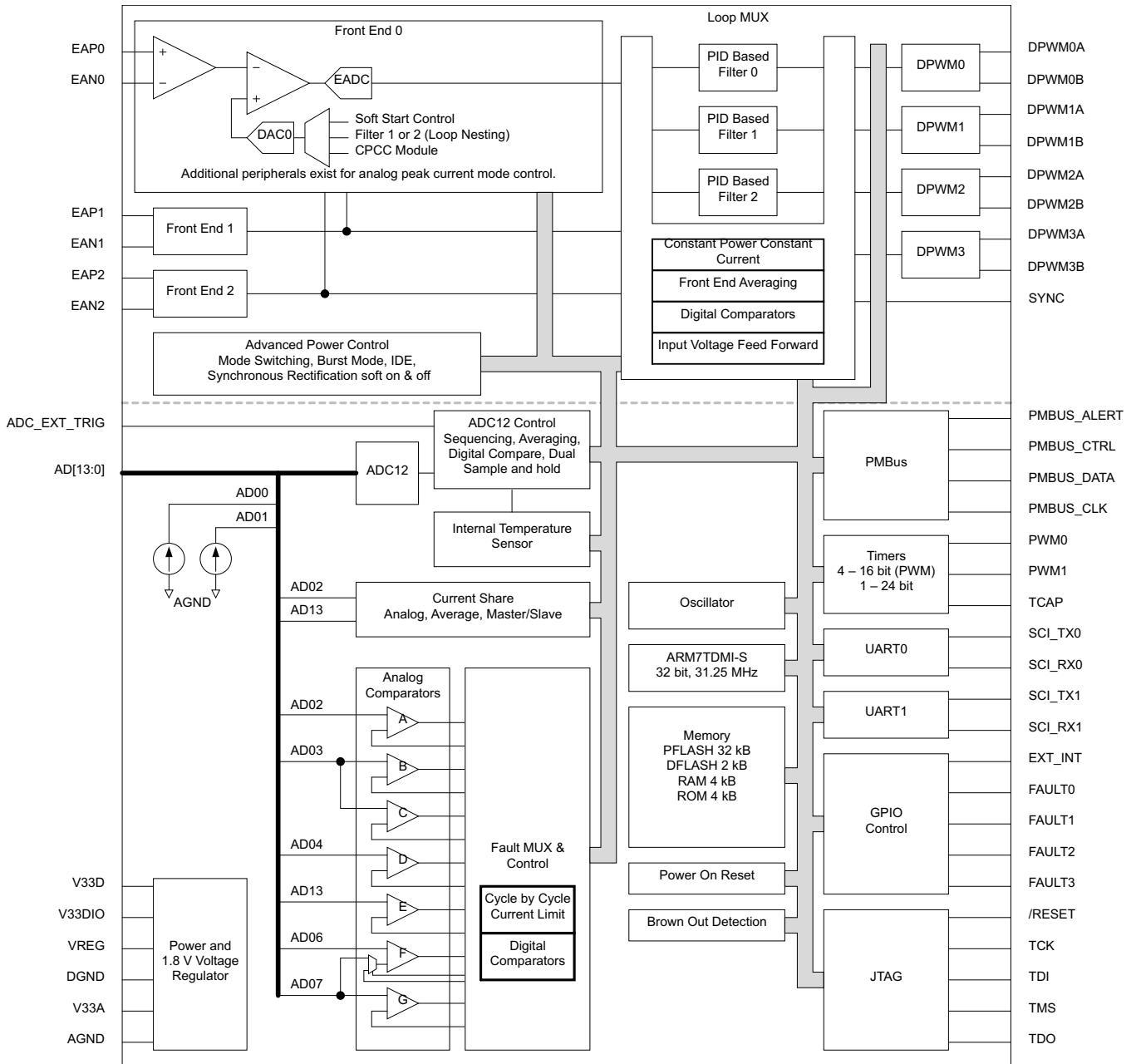
2.3 Product Selection Matrix

FEATURE	UCD3138 64 PIN	UCD3138 40 PIN
ARM7TDMI-S Core Processor	31.25 MHz	31.25 MHz
High Resolution DPWM Outputs (250ps Resolution)	8	8
Number of High Speed Independent Feedback Loops (# Regulated Output Voltages)	3	3
12-bit, 265ksps, General Purpose ADC Channels	14	7
Digital Comparators at ADC Outputs	4	4
Flash Memory (Program)	32 KB	32 KB
Flash Memory (Data)	2 KB	2 KB
Flash Security	√	√
RAM	4KB	4 KB
DPWM Switching Frequency	up to 2 MHz	up to 2 MHz
Programmable Fault Inputs	4	1 + 2 ⁽¹⁾
High Speed Analog Comparators with Cycle-by-Cycle Current Limiting	7 ⁽²⁾	6 ⁽²⁾
UART (SCI)	2	1 + 1 ⁽¹⁾
PMBus	√	√
Timers	4 (16 bit) and 1 (24 bit)	4 (16 bit) and 1 (24 bit)
Timer PWM Outputs	2	1
Timer Capture Inputs	1	1 ⁽¹⁾
Watchdog	√	√
On Chip Oscillator	√	√
Power-On Reset and Brown-Out Reset	√	√
JTAG	√	√
Package Offering	64 Pin QFN (9mm x 9mm)	40 Pin QFN (6mm x 6mm)
Internal Reference (Tolerance)	±1%	±1%
Sync IN and Sync OUT Functions	√	√
Total GPIO (includes all pins with multiplexed functions such as, DPWM, Fault Inputs, SCI, etc.)	30	17
External Interrupts	1	0

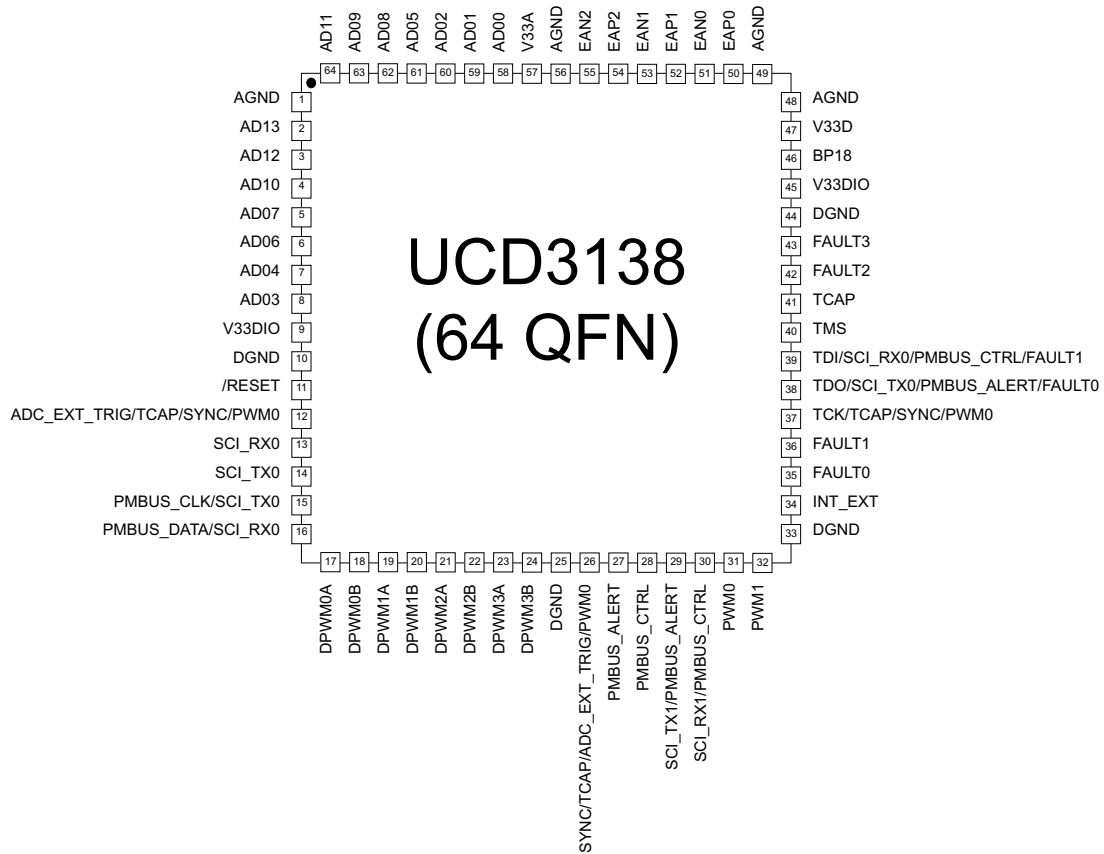
(1) This number represents an alternate pin out that is programmable via firmware. See the Peripherals Programming manual for details.

(2) To facilitate simple OVP and UVP connections both comparators B and C are connected to the AD03 pin.

2.4 Functional Block Diagram



2.5 UCD3138 64 QFN – Pin Assignments



2.6 Pin Functions

Additional pin functionality is specified in the following table.

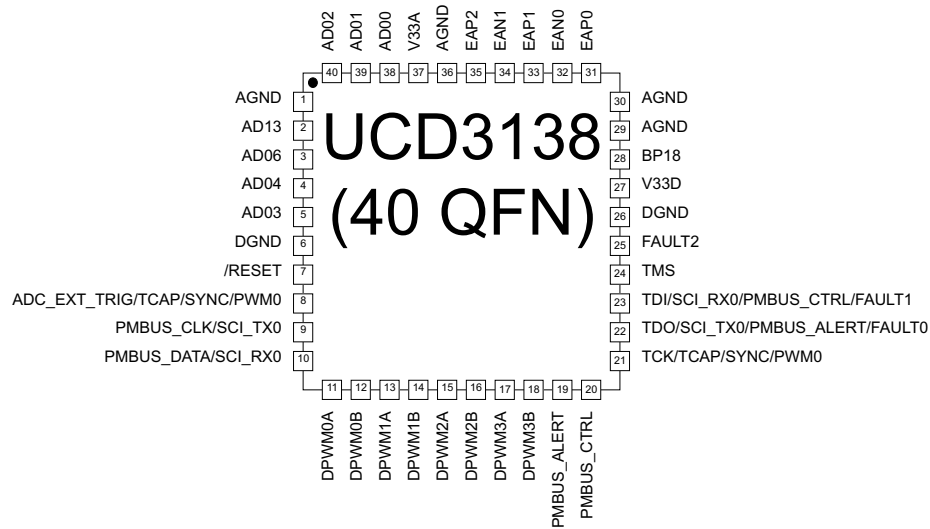
Table 2-1. Pin Functions

PIN	NAME	PRIMARY ASSIGNMENT	ALTERNATE ASSIGNMENT			CONFIGURABLE AS A GPIO?
			NO. 1	NO. 2	NO. 3	
1	AGND	Analog ground				
2	AD13	12-bit ADC, Ch 13, comparator E, I-share				
3	AD12	12-bit ADC, Ch 12				
4	AD10	12-bit ADC, Ch 10				
5	AD07	12-bit ADC, Ch 7, Connected to comparator G				
6	AD06	12-bit ADC, Ch 6, Connected to comparator F				
7	AD04	12-bit ADC, Ch 4, Connected to comparator D				
8	AD03	12-bit ADC, Ch 3, Connected to comparator B & C				
9	V33DIO	Digital I/O 3.3V core supply				
10	DGND	Digital ground				
11	RESET	Device Reset Input, active low				
12	ADC_EXT_TRIG	ADC conversion external trigger input	TCAP	SYNC	PWM0	Yes
13	SCI_RX0	SCI RX 0				Yes
14	SCI_TX0	SCI TX 0				Yes
15	PMBUS_CLK	PMBUS Clock (Open Drain)	SCI TX 0			Yes
16	PMBUS_DATA	PMBus data (Open Drain)	SCI RX 0			Yes
17	DPWM0A	DPWM 0A output				Yes
18	DPWM0B	DPWM 0B output				Yes
19	DPWM1A	DPWM 1A output				Yes
20	DPWM1B	DPWM 1B output				Yes
21	DPWM2A	DPWM 2A output				Yes
22	DPWM2B	DPWM 2B output				Yes
23	DPWM3A	DPWM 3A output				Yes
24	DPWM3B	DPWM 3B output				Yes
25	DGND	Digital ground				
26	SYNC	DPWM Synchronize pin	TCAP	ADC_EXT_TRIG	PWM0	Yes
27	PMBUS_ALERT	PMBus Alert (Open Drain)				Yes
28	PMBUS_CTRL	PMBus Control (Open Drain)				Yes
29	SCI_TX1	SCI TX 1	PMBUS_ALERT			Yes
30	SCI_RX1	SCI RX 1	PMBUS_CTRL			Yes
31	PWM0	General purpose PWM 0				Yes
32	PWM1	General purpose PWM 1				Yes
33	DGND	Digital ground				
34	INT_EXT	External Interrupt				Yes
35	FAULT0	External fault input 0				Yes
36	FAULT1	External fault input 1				Yes
37	TCK	JTAG TCK	TCAP	SYNC	PWM0	Yes
38	TDO	JTAG TDO	SCI_TX0	PMBUS_ALERT	FAULT0	Yes
39	TDI	JTAG TDI	SCI_RX0	PMBUS_CTRL	FAULT1	Yes
40	TMS	JTAG TMS				Yes
41	TCAP	Timer capture input				Yes
42	FAULT2	External fault input 2				Yes
43	FAULT3	External fault input 3				Yes

Table 2-1. Pin Functions (continued)

PIN	NAME	PRIMARY ASSIGNMENT	ALTERNATE ASSIGNMENT			CONFIGURABLE AS A GPIO?
			NO. 1	NO. 2	NO. 3	
44	DGND	Digital ground				
45	V33DIO	Digital I/O 3.3V core supply				
46	BP18	1.8V Bypass				
47	V33D	Digital 3.3V core supply				
48	AGND	Substrate analog ground				
49	AGND	Analog ground				
50	EAP0	Channel #0, differential analog voltage, positive input				
51	EAN0	Channel #0, differential analog voltage, negative input				
52	EAP1	Channel #1, differential analog voltage, positive input				
53	EAN1	Channel #1, differential analog voltage, negative input				
54	EAP2	Channel #2, differential analog voltage, positive input				
55	EAN2	Channel #2, differential analog voltage, negative input				
56	AGND	Analog ground				
57	V33A	Analog 3.3V supply				
58	AD00	12-bit ADC, Ch 0, Connected to current source				
59	AD01	12-bit ADC, Ch 1, Connected to current source				
60	AD02	12-bit ADC, Ch 2, Connected to comparator A, I-share				
61	AD05	12-bit ADC, Ch 5				
62	AD08	12-bit ADC, Ch 8				
63	AD09	12-bit ADC, Ch 9				
64	AD11	12-bit ADC, Ch 11				

2.7 UCD3138 40 QFN – Pin Assignments



2.8 Pin Functions

Additional pin functionality is specified in the following table.

Table 2-2. Pin Functions

PIN	NAME	PRIMARY ASSIGNMENT	ALTERNATE ASSIGNMENT			CONFIGURABLE AS A GPIO?
			NO. 1	NO. 2	NO. 3	
1	AGND	Analog ground				
2	AD13	12-bit ADC, Ch 13, Connected to comparator E, I-share				
3	AD06	12-bit ADC, Ch 6, Connected to comparator F				
4	AD04	12-bit ADC, Ch 4, Connected to comparator D				
5	AD03	12-bit ADC, Ch 3, Connected to comparator B & C				
6	DGND	Digital ground				
7	RESET	Device Reset Input, active low				
8	ADC_EXT_TRIG	ADC conversion external trigger input	TCAP	SYNC	PWM0	Yes
9	PMBUS_CLK	PMBUS Clock (Open Drain)	SCI_TX0			Yes
10	PMBUS_DATA	PMBus data (Open Drain)	SCI_RX0			Yes
11	DPWM0A	DPWM 0A output				Yes
12	DPWM0B	DPWM 0B output				Yes
13	DPWM1A	DPWM 1A output				Yes
14	DPWM1B	DPWM 1B output				Yes
15	DPWM2A	DPWM 2A output				Yes
16	DPWM2B	DPWM 2B output				Yes
17	DPWM3A	DPWM 3A output				Yes
18	DPWM3B	DPWM 3B output				Yes
19	PMBUS_ALERT	PMBus Alert (Open Drain)				Yes
20	PMBUS_CTRL	PMBus Control (Open Drain)				Yes
21	TCK	JTAG TCK	TCAP	SYNC	PWM0	Yes
22	TDO	JTAG TDO	SCI_TX0	PMBUS_ALERT	FAULT0	Yes
23	TDI	JTAG TDI	SCI_RX0	PMBUS_CTRL	FAULT1	Yes
24	TMS	JTAG TMS				Yes
25	FAULT2	External fault input 2				Yes
26	DGND	Digital ground				
27	V33D	Digital 3.3V core supply				
28	BP18	1.8V Bypass				
29	AGND	Substrate analog ground				
30	AGND	Analog ground				
31	EAP0	Channel #0, differential analog voltage, positive input				
32	EAN0	Channel #0, differential analog voltage, negative input				
33	EAP1	Channel #1, differential analog voltage, positive input				
34	EAN1	Channel #1, differential analog voltage, negative input				
35	EAP2	Channel #2, differential analog voltage, positive input				
36	AGND	Analog ground				
37	V33A	Analog 3.3V supply				
38	AD00	12-bit ADC, Ch 0, Connected to current source				
39	AD01	12-bit ADC, Ch 1, Connected to current source				
40	AD02	12-bit ADC, Ch 2, Connected to comparator A, I-share				

3 Electrical Specifications

3.1 ABSOLUTE MAXIMUM RATINGS ⁽¹⁾

over operating free-air temperature range (unless otherwise noted)

		VALUE		UNIT
		MIN	MAX	
V33D	V33D to DGND	-0.3	3.8	V
V33DIO	V33DIO to DGND	-0.3	3.8	V
V33A	V33A to AGND	-0.3	3.8	V
DGND – AGND	Ground difference	0.3		V
All Pins ⁽²⁾	Voltage applied to any pin	-0.3	3.8	V
T _{OPT}	Junction Temperature	-40	125	°C
T _{STG}	Storage temperature	-55	150	°C

(1) Stresses beyond those listed under absolute maximum ratings may cause permanent damage to the device. These are stress ratings only, and functional operation of the device at these or any other conditions beyond those indicated under recommended operating conditions is not implied. Exposure to absolute-maximum-rated conditions for extended periods may affect device reliability.

(2) Referenced to DGND

3.2 THERMAL INFORMATION

THERMAL METRIC		UCD3138	UCD3138	UNITS
		64 PIN QFN	40 PIN QFN	
θ_{JA}	Junction-to-ambient thermal resistance	25.1	31.8	°C/W
θ_{JcTop}	Junction-to-case (top) thermal resistance	10.5	18.5	
θ_{JB}	Junction-to-board thermal resistance	4.6	6.8	
Ψ_{JT}	Junction-to-top characterization parameter	0.2	0.2	
Ψ_{JB}	Junction-to-board characterization parameter	4.6	6.7	
θ_{JcBot}	Junction-to-case (bottom) thermal resistance	1.2	1.8	

3.3 RECOMMENDED OPERATING CONDITIONS

over operating free-air temperature range (unless otherwise noted)

		MIN	TYP	MAX	UNIT
V33D	Digital power	3.0	3.3	3.6	V
V33DIO	Digital I/O power	3.0	3.3	3.6	
V33A	Analog power	3.0	3.3	3.6	V
T _J	Junction temperature	-40	-	125	°C

3.4 ELECTRICAL CHARACTERISTICS

V33A = V33D = V33DIO = 3.3V; 1 μ F from VREG to DGND, T_J = -40°C to 125°C (unless otherwise noted)

PARAMETER	TEST CONDITION	MIN	TYP	MAX	UNIT
SUPPLY CURRENT					
I33A			6.3		mA
I33DIO	All GPIO and communication pins are open		0.35		mA
I33D	ROM program execution		60		mA
I33D	Flash programming in ROM mode			70	mA
I33	Total supply current with all peripherals operating.			100	mA

ELECTRICAL CHARACTERISTICS (continued)V33A = V33D = V33DIO = 3.3V; 1 μ F from VREG to DGND, T_J = –40°C to 125°C (unless otherwise noted)

PARAMETER		TEST CONDITION	MIN	TYP	MAX	UNIT
ERROR ADC INPUTS EAP, EAN						
EAP-AGND			–0.15		1.998	V
EAP-EAN			–0.256		1.848	V
Error range		AFE = 0	–256		248	mV
EAP-EAN Error voltage digital resolution		AFE = 3	0.95	1	1.20	mV
		AFE = 2	1.90	2	2.30	mV
		AFE = 1	3.72	4	4.45	mV
		AFE = 0	7.3	8	9.10	mV
R _{EA}	Input impedance	AGND reference	0.5			M Ω
I _{OFFSET}	Input offset current		–5		5	μ A
EADC Offset		Input voltage = 0 V at AFE = 0	–2		2	LSB
		Input voltage = 0 V at AFE = 1	–2.5		2.5	LSB
		Input voltage = 0 V at AFE = 2	–3		–3	LSB
		Input voltage = 0 V at AFE = 3	–4		4	LSB
Sample Rate					16	MHz
Analog Front End Amplifier Bandwidth				100		MHz
A ₀	Gain			1		V/V
	Minimum output voltage				100	mV
EADC DAC						
DAC range			0		1.6	V
VREF DAC reference resolution		10 bit, No dithering enabled		1.56		mV
VREF DAC reference resolution		With 4 bit dithering enabled		97.6		μ V
INL			–3.0		3.0	LSB
DNL		Does not include MSB transition	–2.1		1.6	LSB
DNL at MSB transition				–1.4		LSB
DAC reference voltage			1.58		1.61	V
T	Settling Time	From 10% to 90%		250		ns
ADC12						
I _{BIAS}	Bias current for PMBus address pins		9.5		10.5	μ A
Measurement range for voltage monitoring			0		2.5	V
Internal ADC reference voltage		–40°C to 125°C	2.475	2.500	2.525	V
Internal ADC reference from 25°C reference voltage ⁽¹⁾		25°C to –40°C		–0.4		mV
		25°C to 85°C		–1.8		
		25°C to 125°C		–4.2		
ADC12 INL integral nonlinearity ⁽¹⁾				+/-2.5		LSB
ADC12 DNL differential nonlinearity ⁽¹⁾		ADC_SAMPLINGSEL = 6 for all ADC12 data, 25 °C to 125 °C		–0.7/+2.5		LSB
ADC Zero Scale Error			–4		4	mV
ADC Full Scale Error			–35		35	mV
Input bias		2.5 V applied to pin			400	nA
Input leakage resistance				1		M Ω
Input Capacitance				10		pF
ADC single sample conversion time				3.9		μ s

(1) As designed and characterized. Not 100% tested in production.

ELECTRICAL CHARACTERISTICS (continued)

V33A = V33D = V33DIO = 3.3V; 1µF from VREG to DGND, T_J = –40°C to 125°C (unless otherwise noted)

PARAMETER		TEST CONDITION	MIN	TYP	MAX	UNIT
DIGITAL INPUTS/OUTPUTS⁽²⁾⁽³⁾						
V _{OL}	Low-level output voltage ⁽⁴⁾	I _{OH} = 6 mA, V33DIO = 3 V	DGND + 0.25			V
V _{OH}	High-level output voltage ⁽⁴⁾	I _{OH} = –6 mA, V33DIO = 3 V	V33DIO – 0.6			V
V _{IH}	High-level input voltage	V33DIO = 3 V	2.1			V
V _{IL}	Low-level input voltage	V33DIO = 3 V			1.1	V
I _{OH}	Output sinking current				4	mA
I _{OL}	Output sourcing current		-4			mA
SYSTEM PERFORMANCE						
	Time to disable DPWM output based on active FAULT pin signal	High level on FAULT pin	70			ns
	Processor master clock (MCLK)		31.25			MHz
t _{Delay}	Digital compensator delay ⁽⁵⁾	(1 clock = 32ns)	6			clocks
V _{DD}	Slew minimum VDD slew rate	VDD slew rate between 2.3 V and 2.9 V	0.25			V/ms
t _(reset)	Pulse width needed at reset		10			µs
	Retention period of flash content (data retention and program)	T _J = 25°C	100			years
	Program time to erase one page in data flash or program flash	T _J = 25°C	20			ms
	Program time to write one word n data flash or program flash	T _J = 25°C	25			µs
f _(PCLK)	Internal oscillator frequency		240	250	260	MHz
	Sync-in/sync-out pulse width		256			ns
	Flash Read		1			MCLKs
	Flash Write		30			µs
	Block Erase		20			ms
I _{SHARE}	Current share current source		238		259	µA
R _{SHARE}	Current share resistor		9.75		10.3	kΩ
POWER ON RESET AND BROWN OUT						
V _{GH}		Voltage good High	2.7			V
V _{GL}		Voltage good Low	2.5			V
V _{res}		Voltage at which IReset signal is valid	0.8			V
T _{POR}		Time delay after Power is good or RESET* relinquished	1			ms
	Brownout	Internal signal warning of brownout conditions	2.9			V
TEMPERATURE SENSOR⁽⁶⁾						
V _{TEMP}		Voltage range of sensor	1.46		2.44	V
	Voltage resolution	Volts/°C	5.9			mV/°C
	Temperature resolution	Degree C per bit	0.7			°C/LSB
	Accuracy ⁽⁶⁾⁽⁷⁾	-40°C to 125°C	-10	±5	10	°C
	Temperature range	-40°C to 125°C	-40		125	°C

(2) DPWM outputs are low after reset. Other GPIO pins are configured as inputs after reset.

(3) On the 40 pin package V33DIO is connected to V33D internally.

(4) The maximum total current, I_{OHmax} and I_{OLmax} for all outputs combined, should not exceed 12 mA to hold the maximum voltage drop specified. Maximum sink current per pin = –6 mA at V_{OL}; maximum source current per pin = 6 mA at V_{OH}.

(5) Time from close of error ADC sample window to time when digitally calculated control effort (duty cycle) is available. This delay must be accounted for when calculating the system dynamic response.

(6) Characterized by design and not production tested.

(7) Ambient temperature offset value should be used from the TEMPSNCTRL register to meet accuracy.

ELECTRICAL CHARACTERISTICS (continued)

V33A = V33D = V33DIO = 3.3V; 1 μ F from VREG to DGND, T_J = –40°C to 125°C (unless otherwise noted)

PARAMETER		TEST CONDITION	MIN	TYP	MAX	UNIT
I _{TEMP}		Current draw of sensor when active		30		μ A
T _{ON}		Turn on time / settling time of sensor		100		μ s
V _{AMB}	Ambient temperature	Trimmed 25°C reading		1.85		V
ANALOG COMPARATOR						
DAC	Reference DAC Range		0		2.5	V
	Reference Voltage		2.478	2.5	2.513	V
	Bits			7		bits
	INL ⁽⁸⁾		-0.42		0.21	LSB
	DNL ⁽⁸⁾		0.06		0.12	LSB
	Offset		-5.5		19.5	mV
	Time to disable DPWM output based on 0 V to 2.5 V step input on the analog comparator. ⁽⁸⁾				150	ns
	Reference DAC buffered output load ⁽⁹⁾		0.5		1	mA
	Buffer offset (-0.5 mA)		4.6		8.3	mV
	Buffer offset (1.0 mA)		-0.05		17	mV

(8) As designed and characterized. Not 100% tested in production.

(9) Available from reference DACs for comparators D, E, F and G.

3.5 PMBus/SMBus/I²C Timing

The timing characteristics and timing diagram for the communications interface that supports I²C, SMBus, and PMBus in Slave or Master mode are shown in Table 3-1, Figure 3-1, and Figure 3-2. The numbers in Table 3-1 are for 400 kHz operating frequency. However, the device supports all three speeds, standard (100 kHz), fast (400 kHz), and fast mode plus (1 MHz).

Table 3-1. I²C/SMBus/PMBus Timing Characteristics

PARAMETER	TEST CONDITIONS	MIN	TYP	MAX	UNIT
Typical values at T _A = 25°C and VCC = 3.3 V (unless otherwise noted)					
f _{SMB}	SMBus/PMBus operating frequency		10	400	kHz
f _{I2C}	I ² C operating frequency		10	400	kHz
t _(BUF)	Bus free time between start and stop		1.3		ms
t _(HD:STA)	Hold time after (repeated) start		0.6		ms
t _(SU:STA)	Repeated start setup time		0.6		ms
t _(SU:STO)	Stop setup time		0.6		ms
t _(HD:DAT)	Data hold time	Receive mode	0		ns
t _(SU:DAT)	Data setup time		100		ns
t _(TIMEOUT)	Error signal/detect ⁽¹⁾			35	ms
t _(LOW)	Clock low period		1.3		ms
t _(HIGH)	Clock high period ⁽²⁾		0.6		ms
t _(LOW:SEXT)	Cumulative clock low slave extend time ⁽³⁾			25	ms
t _f	Clock/data fall time	Rise time t _r = (V _{ILmax} - 0.15) to (V _{IHmin} + 0.15)	20 + 0.1 Cb ⁽⁴⁾	300	ns
t _r	Clock/data rise time	Fall time t _f = 0.9 VDD to (V _{ILmax} - 0.15)	20 + 0.1 Cb ⁽⁴⁾	300	ns
C _b	Total capacitance of one bus line			400	pF

- (1) The device times out when any clock low exceeds t_(TIMEOUT).
- (2) t_(HIGH), Max, is the minimum bus idle time. SMBC = SMBD = 1 for t > 50 ms causes reset of any transaction that is in progress. This specification is valid when the NC_SMB control bit remains in the default cleared state (CLK[0] = 0).
- (3) t_(LOW:SEXT) is the cumulative time a slave device is allowed to extend the clock cycles in one message from initial start to the stop.
- (4) C_b (pF)

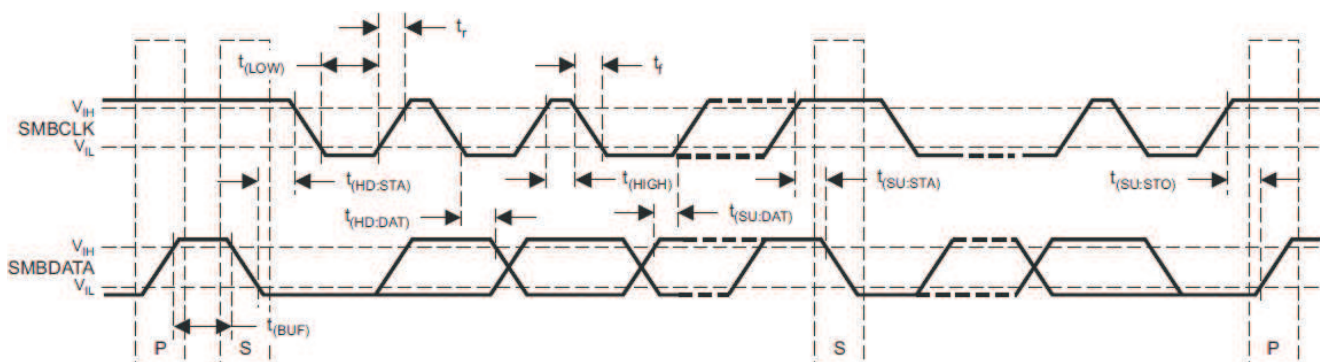


Figure 3-1. I²C/SMBus/PMBus Timing Diagram

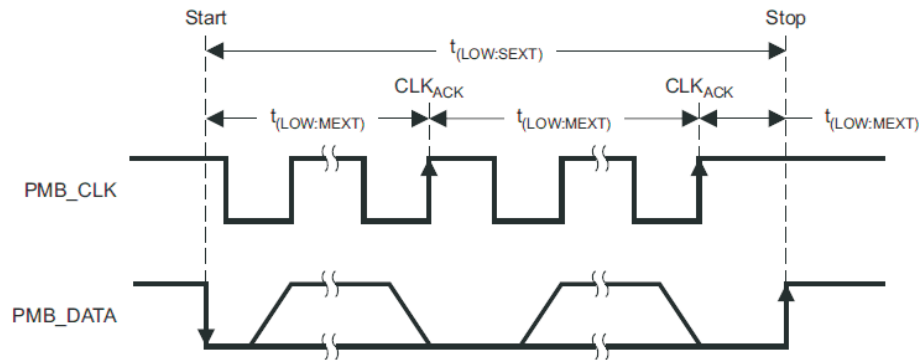


Figure 3-2. Bus timing in Extended Mode

3.6 Power On Reset (POR) / Brown Out Reset (BOR)

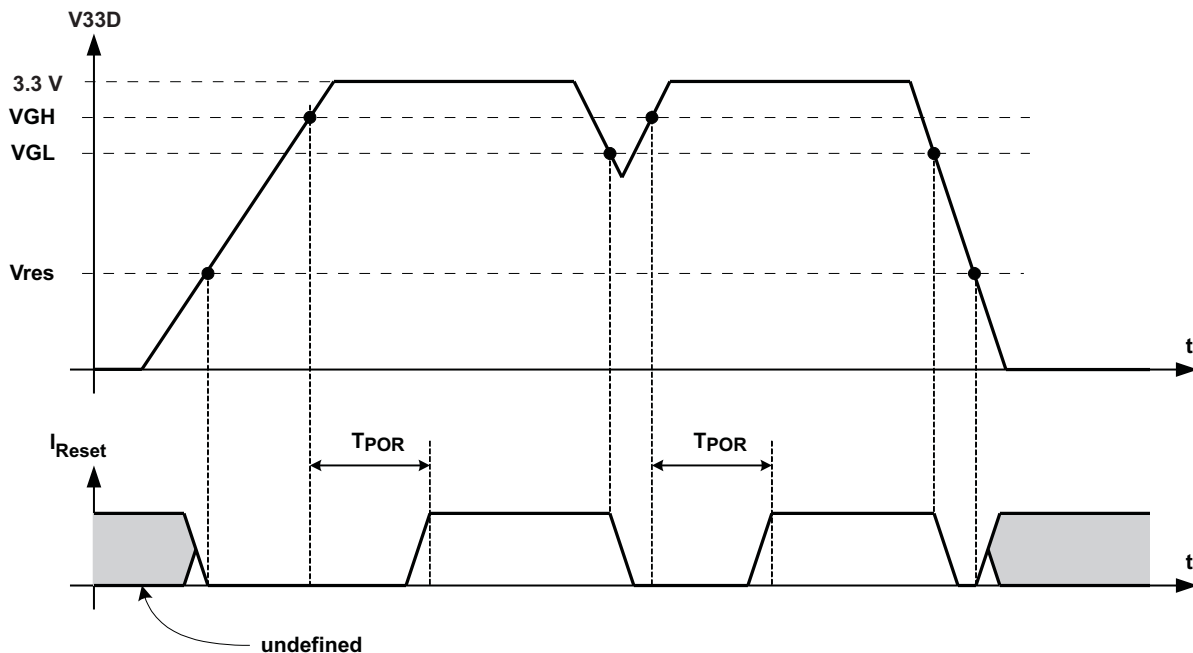
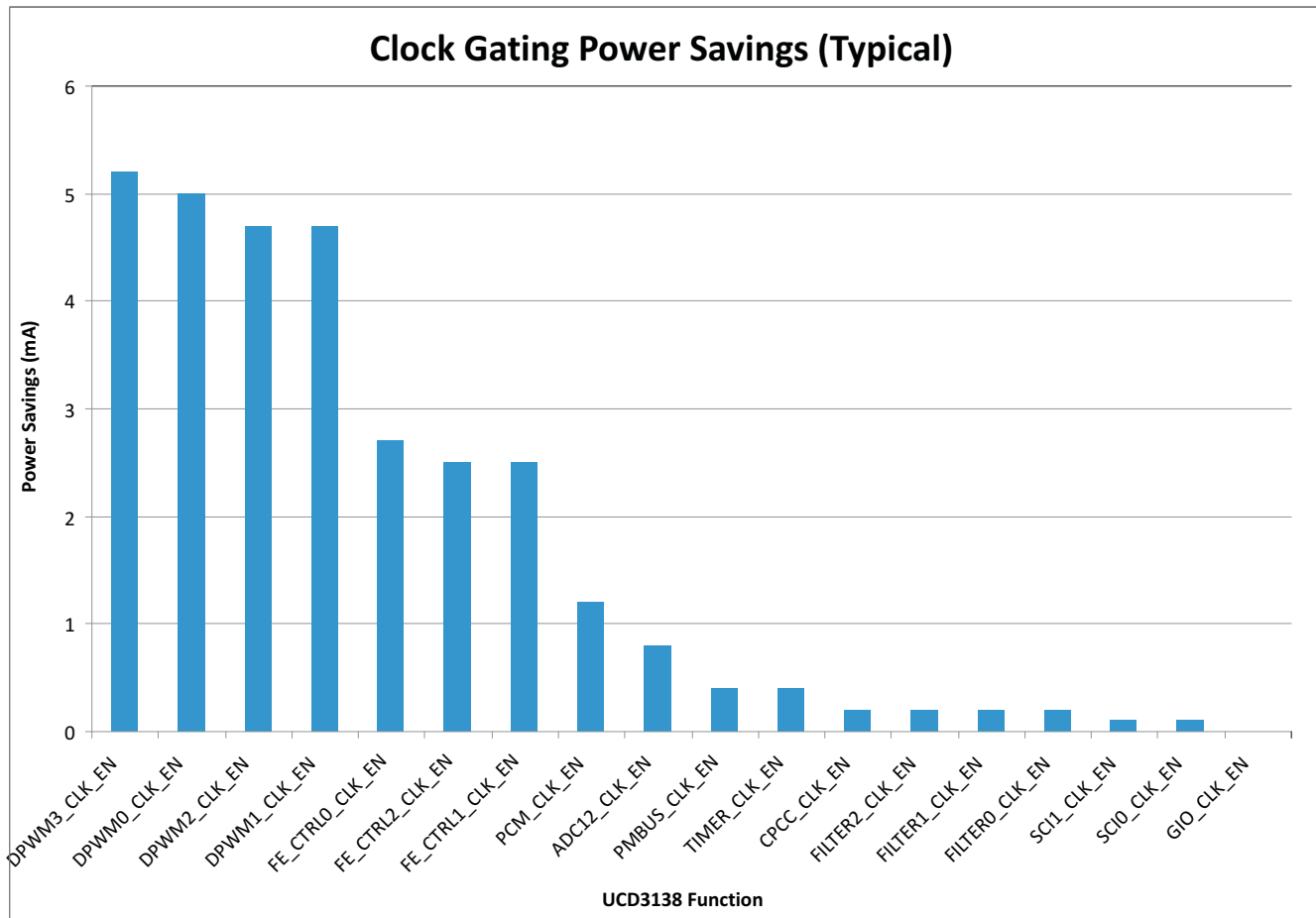


Figure 3-3. Power On Reset (POR) / Brown Out Reset (BOR)

- V_{GH} – This is the V_{33D} threshold where the internal power is declared good. The UCD3138 comes out of reset when above this threshold.
- V_{GL} – This is the V_{33D} threshold where the internal power is declared bad. The device goes into reset when below this threshold.
- V_{res} – This is the V_{33D} threshold where the internal reset signal is no longer valid. Below this threshold the device is in an indeterminate state.
- I_{Reset} – This is the internal reset signal. When low, the device is held in reset. This is equivalent to holding the reset pin on the IC high.
- T_{POR} – The time delay from when V_{GH} is exceeded to when the device comes out of reset.

3.7 Typical Clock Gating Power Savings



4 Functional Overview

4.1 ARM Processor

The ARM7TDMI-S processor is a synthesizable member of the ARM family of general purpose 32-bit microprocessors. The ARM architecture is based on RISC (Reduced Instruction Set Computer) principles where two instruction sets are available. The 32-bit ARM instruction set and the 16-bit Thumb instruction set. The Thumb instruction allows for higher code density equivalent to a 16-bit microprocessor, with the performance of the 32-bit microprocessor.

The three-staged pipelined ARM processor has fetch, decode and execute stage architecture. Major blocks in the ARM processor include a 32-bit ALU, 32 x 8 multiplier, and a barrel shifter. A JTAG port is also available for firmware debugging.

4.2 Memory

The UCD31xx (ARM7TDMI-S) is a Von-Neumann architecture, where a single bus provides access to all of the memory modules. All of the memory module addresses are sequentially aligned along the same address range. This applies to program flash, data flash, ROM and all other peripherals.

Within the UCD31xx architecture, there is a 1024x32-bit Boot ROM that contains the initial firmware startup routines for PMBUS communication and non-volatile (FLASH) memory download. This boot ROM is executed after power-up-reset checks if there is a valid FLASH program written. If a valid program is present, the ROM code branches to the main FLASH-program execution.

UCD31xx also supports customization of the boot program by allowing an alternative booting routine to be executed from program FLASH. This feature enables assignment of a unique address to each device; therefore, enabling firmware reprogramming even when several devices are connected on the same communication bus.

Two separate FLASH memory areas are present inside the device. The 32 kB Program FLASH is organized as an 8 k x 32 bit memory block and is intended to be for the firmware program. The block is configured with page erase capability for erasing blocks as small as 1kB per page, or with a mass erase for erasing the entire program FLASH array. The FLASH endurance is specified at 1000 erase/write cycles and the data retention is good for 100 years. The 2 kB data FLASH array is organized as a 512 x 32 bit memory (32 byte page size). The Data FLASH is intended for firmware data value storage and data logging. Thus, the Data FLASH is specified as a high endurance memory of 20 k cycles with embedded error correction code (ECC).

For run time data storage and scratchpad memory, a 4 kB RAM is available. The RAM is organized as a 1 k x 32 bit array.

4.2.1 CPU Memory Map and Interrupts

When the device comes out of power-on-reset, the data memories are mapped to the processor as follows:

4.2.1.1 Memory Map (After Reset Operation)

Address	Size	Module
0x0000_0000 – 0x0000_FFFF In 16 repeated blocks of 4K each	16 X 4K	Boot ROM
0x0001_0000 – 0x0001_7FFF	32K	Program Flash
0x0001_8800 – 0x0001_8FFF	2K	Data Flash
0x0001_9000 – 0x0001_9FFF	4K	Data RAM

4.2.1.2 Memory Map (Normal Operation)

Just before the boot ROM program gives control to FLASH program, the ROM configures the memory as follows:

Address	Size	Module
0x0000_0000 – 0x0000_7FFF	32K	Program Flash
0x0001_0000 – 0x0001_AFFF	4K	Boot ROM
0x0001_8800 – 0x0001_8FFF	2K	Data Flash
0x0001_9000 – 0x0001_9FFF	4K	Data RAM

4.2.1.3 Memory Map (System and Peripherals Blocks)

Address	Size	Module
0x0002_0000 - 0x0002_00FF	256	Loop Mux
0x0003_0000 - 0x0003_00FF	256	Fault Mux
0x0004_0000 - 0x0004_00FF	256	ADC
0x0005_0000 - 0x0005_00FF	256	DPWM 3
0x0006_0000 - 0x0006_00FF	256	Filter 2
0x0007_0000 - 0x0007_00FF	256	DPWM 2
0x0008_0000 - 0x0008_00FF	256	Front End/Ramp I/F 2
0x0009_0000 - 0x0009_00FF	256	Filter 1
0x000A_0000 - 0x000A_00FF	256	DPWM 1
0x000B_0000 – 0x000B_00FF	256	Front End/Ramp I/F 1
0x000C_0000 - 0x000C_00FF	256	Filter 0
0x000D_0000 - 0x000D_00FF	256	DPWM 0
0x000E_0000 - 0x000E_00FF	256	Front End/Ramp I/F 0
0xFFFF7_EC00 - 0xFFFF7_ECFF	256	UART 0
0xFFFF7_ED00 - 0xFFFF7_EDFF	256	UART 1
0xFFFF7_F000 - 0xFFFF7_F0FF	256	Miscellaneous Analog Control
0xFFFF7_F600 - 0xFFFF7_F6FF	256	PMBus Interface
0xFFFF7_FA00 - 0xFFFF7_FAFF	256	GIO
0xFFFF7_FD00 - 0xFFFF7_FDFF	256	Timer
0xFFFF_FD00 - 0xFFFF_FDFF	256	MMC
0xFFFF_FE00 - 0xFFFF_FEFF	256	DEC
0xFFFF_FF20 - 0xFFFF_FF37	23	CIM
0xFFFF_FF40 - 0xFFFF_FF50	16	PSA
0xFFFF_FF00 - 0xFFFF_FFEC	28	SYS

The registers and bit definitions inside the System and Peripheral blocks are detailed in the programmer's guide for each peripheral.

4.2.2 Boot ROM

The UCD3138 incorporates a 4k boot ROM. This boot ROM includes support for:

- Program download through the PMBus
- Device initialization
- Examining and modifying registers and memory
- Verifying and executing program FLASH automatically
- Jumping to a customer defined boot program

The Boot ROM is entered automatically on device reset. It initializes the device and then performs checksums on the Program FLASH. If the first 2 kB of program FLASH has a valid checksum, the program jumps to location 0 in the Program FLASH. This permits the use of a customer boot program. If the first checksum fails, it performs a checksum on the complete 32 kB of program flash. If this is valid, it also jumps to location 0 in the program flash. This permits full automated program memory checking, when there is no need for a custom boot program.

If neither checksum is valid, the Boot ROM stays in control, and accepts commands via the PMBus interface

These functions can be used to read and write to all memory locations in the UCD3138. Typically they are used to download a program to Program Flash, and to command its execution

4.2.3 Customer Boot Program

As described above, it is possible to generate a user boot program using 2 kB or more of the Program Flash. This can support things which the Boot ROM does not support, including:

- Program download via UART – useful especially for applications where the UCD3138 is isolated from the host (e.g., PFC)
- Encrypted download – useful for code security in field updates.

4.2.4 Flash Management

The UCD3138 offers a variety of features providing for easy prototyping and easy flash programming. At the same time, high levels of security are possible for production code, even with field updates. Standard firmware will be provided for storing multiple copies of system parameters in data flash. This minimizes the risk of losing information if programming is interrupted.

4.3 System Module

The System Module contains the interface logic and configuration registers to control and configure all the memory, peripherals and interrupt mechanisms. The blocks inside the system module are the address decoder, memory management controller, system management unit, central interrupt unit, and clock control unit.

4.3.1 Address Decoder (DEC)

The Address Decoder generates the memory selects for the FLASH, ROM and RAM arrays. The memory map addresses are selectable through configurable register settings. These memory selects can be configured from 1 kB to 16 MB. Power on reset uses the default addresses in the memory map for ROM execution, which is then configured by the ROM code to the application setup. During access to the DEC registers, a wait state is asserted to the CPU. DEC registers are only writable in the ARM privilege mode for user mode protection.

4.3.2 Memory Management Controller (MMC)

The MMC manages the interface to the peripherals by controlling the interface bus for extending the read and write accesses to each peripheral. The unit generates eight peripheral select lines with 1 kB of address space decoding.

4.3.3 System Management (SYS)

The SYS unit contains the software access protection by configuring user privilege levels to memory or peripherals modules. It contains the ability to generate fault or reset conditions on decoding of illegal address or access conditions. A clock control setup for processor clock (MCLK) speed, is also available.

4.3.4 Central Interrupt Module (CIM)

The CIM accepts 32 interrupt requests for meeting firmware timing requirements. The ARM processor supports two interrupt levels: FIQ and IRQ. FIQ is the highest priority interrupt. The CIM provides hardware expansion of interrupts by use of FIQ/IRQ vector registers for providing the offset index in a vector table. This numerical index value indicates the highest precedence channel with a pending interrupt and is used to locate the interrupt vector address from the interrupt vector table. Interrupt channel 0 has the lowest precedence and interrupt channel 31 has the highest precedence. To remove the interrupt request, the firmware should clear the request as the first action in the interrupt service routine. The request channels are maskable, allowing individual channels to be selectively disabled or enabled.

Table 4-1. Interrupt Priority Table

NAME	MODULE COMPONENT OR REGISTER	DESCRIPTION	PRIORITY
BRN_OUT_INT	Brownout	Brownout interrupt	0 (Lowest)
EXT_INT	External Interrupts	Interrupt on one external input pins for faults inputs	1
WDRST_INT	Watchdog Control	Interrupt from watchdog exceeded (reset)	2
WDWAKE_INT	Watchdog Control	Wakeup interrupt when watchdog equals half of set watch time	3
SCI_ERR_INT	UART or SCI Control	UART or SCI error Interrupt. Frame, parity or overrun	4
SCI_RX_0_INT	UART or SCI Control	UART0 RX buffer has a byte	5
SCI_TX_0_INT	UART or SCI Control	UART0 TX buffer empty	6
SCI_RX_1_INT	UART or SCI Control	UART1 RX buffer has a byte	7
SCI_TX_1_INT	UART or SCI Control	UART1 TX buffer empty	8
PMBUS_INT		PMBus related interrupt	9
DIG_COMP_INT	12-bit ADC Control	Digital comparator interrupt	10
FE0_INT	Front End 0	"Prebias complete", "Ramp Delay Complete", "Ramp Complete", "Load Step Detected", "Over-Voltage Detected", "EADC saturated"	11
FE1_INT	Front End 1	"Prebias complete", "Ramp Delay Complete", "Ramp Complete", "Load Step Detected", "Over-Voltage Detected", "EADC saturated"	12
FE2_INT	Front End 2	"Prebias complete", "Ramp Delay Complete", "Ramp Complete", "Load Step Detected", "Over-Voltage Detected", "EADC saturated"	13
PWM3_INT	16-bit Timer PWM 3	16-bit Timer PWM3 counter overflow or compare interrupt	14
PWM2_INT	16-bit Timer PWM 2	16-bit Timer PWM2 counter Overflow or compare interrupt	15
PWM1_INT	16-bit Timer PWM 1	16-bit Timer PWM1 counter overflow or compare interrupt	16
PWM0_INT	16-bit timer PWM 0	16-bit Timer PWM1 counter overflow or compare interrupt	17
OVF24_INT	24-bit Timer Control	24-bit Timer counter overflow interrupt	18
CAPTURE_1_INT	24-bit Timer Control	24-bit Timer capture 1 interrupt	19
COMP_1_INT	24-bit Timer Control	24-bit Timer compare 1 interrupt	20
CAPTURE_0_INT	24-bit Timer Control	24-bit Timer capture 0 interrupt	21
COMP_0_INT	24-bit Timer Control	24-bit Timer compare 0 interrupt	22
CPCC_INT	Constant Power Constant Current	Mode switched in CPCC module Flag needs to be read for details	23
ADC_CONV_INT	12-bit ADC Control	ADC end of conversion interrupt	24
FAULT_INT	Fault Mux Interrupt	Analog comparator interrupts, Over-Voltage detection, Under-Voltage detection, LLM load step detection	25

Table 4-1. Interrupt Priority Table (continued)

NAME	MODULE COMPONENT OR REGISTER	DESCRIPTION	PRIORITY
DPWM3	DPWM3	Same as DPWM1	26
DPWM2	DPWM2	Same as DPWM1	27
DPWM1	DPWM1	1) Every (1-256) switching cycles 2) Fault Detection 3) Mode switching	28
DPWM0	DPWM0	Same as DPWM1	29
EXT_FAULT_INT	External Faults	Fault pin interrupt	30
SYS_SSL_INT	System Software	System software interrupt	31 (highest)

4.4 Peripherals

4.4.1 Fusion Digital Power Peripherals

At the core of the UCD31XX controller are 3 Fusion Digital Power Peripherals (FDPP). Each FDPP can be configured to drive from one to eight DPWM outputs. Each FDPP consists of:

- Differential input error ADC (EADC) with sophisticated controls
- Hardware accelerated digital 2-pole/2-zero PID based compensator
- Digital PWM module with support for a variety of topologies

These can be connected in many different combinations, with multiple filters and DPWMs. They are capable of supporting functions like input voltage feed forward, current mode control, and constant current/constant power, etc.. The simplest configuration is shown in the following figure:



4.4.1.1 Front End

The EADC module can be programmed to produce an inverting or non-inverting error relative to the voltage set by the EADC DAC. It also has a successive approximation mode, which can be used to measure absolute voltage. In this case, the SAR module controls the EADC and EADC-DAC to determine the absolute voltage.

The EADC module is shown in [Figure 4-1](#). It contains a differential switch capacitor amplifier. This enables remote sense voltage measurements, using the external EAP and EAN pins. The output of this stage is fed into a second differential amplifier with a reference driven by an internal 10-bit DAC. The gain of this stage is controlled by the AFE register. AFE can have values of 0, 1, 2 or 3 which correspond to an analog gain of 1, 2, 4 or 8 respectively. The EADC has a maximum sense voltage value of 248 mV and a minimum sense value of -256 mV with 8 mV resolution. The analog AFE gain stage effectively makes this resolution programmable to be 8mV, 4 mV, 2 mV or 1 mV. Finally, the EADC output is shifted by 0, 1, 2 or 3 times; this is done to attenuate the digital signal by 1, 2, 4 or 8 times. Both the analog gain value and the digital gain values are determined from the AFE gain setting. Therefore, the total gain of this stage always remains the same and the resolution is always 1 mv/bit.

In addition, the user has the option of enabling an automatic resolution selection algorithm ("gear shifter"). This algorithm will automatically select the finest EADC resolution that can measure the voltage across EAP0 and EAN0. This feature is only available on Front End 0.

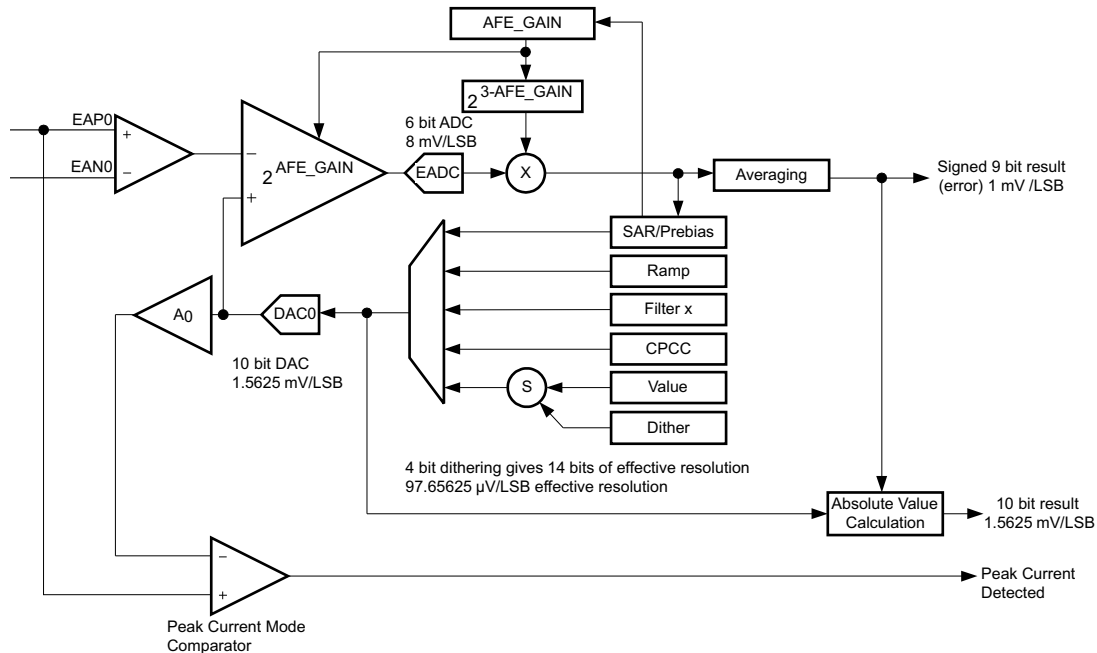


Figure 4-1. EADC Module

The EADC control logic receives the sample request from the DPWM module for initiating an EADC conversion. EADC control circuitry captures the EADC-9-bit-code and strobes the digital compensator for processing of the representative error.

4.4.1.2 DPWM Module

The DPWM module represents one complete PWM channel with 2 independent outputs, A and B. Multiple DPWM modules within the UCD3138 system can be configured to support all key power topologies. DPWM modules can be used as independent PWM outputs, each controlling one power supply output voltage rail. It can also be used as a synchronized PWM—with user selectable phase shift between the PWM channels to control power supply outputs with multiphase or interleaved PWM configurations.

The output of the compensator feeds the high resolution DPWM module. The DPWM module produces the pulse width modulated outputs for the power stage switches. The compensator calculates the necessary duty ratio as a 24-bit number in Q23 fixed point format (23 bit integer with 1 sign bit). This represents a value within the range 0.0 to 1.0. This duty ratio value is multiplied by the period of the PWM output to generate the on time of the corresponding PWM output. The resolution of the PWM ON time is 250 psec.

Each DPWM module can be synchronized to another module or to an external sync signal. An input SYNC signal causes a PWM ramp timer to reset. The SYNC signal outputs—from each of the four DPWM modules—occur when the ramp timer crosses a programmed threshold. In this way the phase of the PWM outputs for multiple power stages can be tightly controlled.

The DPWM logic is probably the most complex of the Digital Fusion Peripherals. It takes the output of the compensator and converts it into the correct PWM output for several power supply topologies. It provides for programmable dead times and cycle adjustments for current balancing between phases. It controls the triggering of the EADC. It can synchronize to other DPWMs or to external sources. It can provide synchronization information to other DPWMs or to external recipients. In addition, it interfaces to several fault handling circuits. Some of the control for these fault handling circuits is in the DPWM registers. Fault handling is covered in the Fault Mux section.

Each DPWM module supports the following features:

- Dedicated 14 bit time-base with period and frequency control

- Shadow period register for end of period updates.
- Quad-event control registers (A and B, rising and falling) (Events 1-4)
– Used for on/off PWM duty ratio updates.
- Phase control relative to other DPWM modules
- Sample trigger placement for output voltage sensing at any point during the PWM cycle.
- Support for 2 independent edge placement PWM outputs (same frequency or period setting)
- Dead-time between PWM A and B outputs
- High Resolution capabilities – 250 ps
- Pulse cycle adjustment of up to $\pm 8.192 \mu\text{s}$ ($32768 \times 250 \text{ ps}$)
- Active high/ active low output polarity selection
- Provides events to trigger both CPU interrupts and start of ADC conversions.

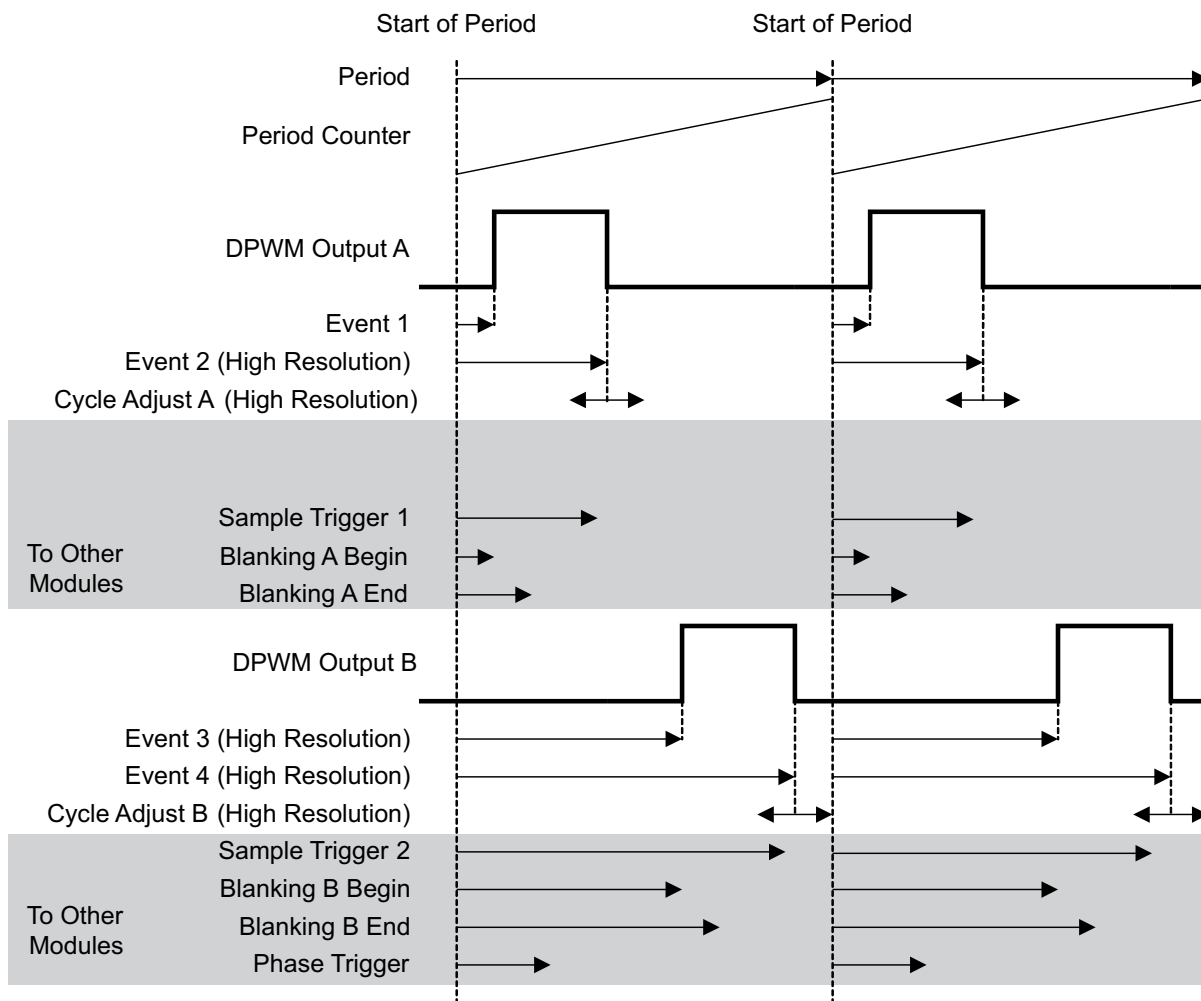
4.4.1.3 DPWM Events

Each DPWM can control the following timing events:

1. *Sample Trigger Count*—This register defines where the error voltage is sampled by the EADC in relationship to the PWM period. The programmed value set in the register should be one fourth of the value calculated based on the PWM clock. As the DCLK (DCLK = 62.5 MHz max) controlling the circuitry runs at one fourth of the PWM clock (PCLK = 250MHz max). When this sample trigger count is equal to the PWM Counter, it initiates a front end calculation by triggering the EADC, resulting in a CLA calculation, and a DPWM update. Over-sampling can be set for 2, 4 or 8 times the sampling rate.
2. *Phase Trigger Count*—count offset for slaving another DPWM (Multi-Phase/Interleaved operation).
3. *Period*—low resolution switching period count. (count of PCLK cycles)
4. *Event 1*—count offset for rising PWM A event. (Count of PCLK cycles)
5. *Event 2*—PWM count for falling PWM A event that sets the duty ratio. Last 4 bits of the register are for high resolution control. Upper 14 bits are the number of PCLK cycle counts.
6. *Event 3*—PWM count for rising PWM B event. Last 4 bits of the register are for high resolution control. Upper 14 bits are the number of PCLK cycle counts.
7. *Event 4*—PWM count for falling PWM B event. Last 4 bits of the register are for high resolution control. Upper 14 bits are the number of PCLK cycle counts.
8. *Cycle Adjust*—Constant offset for Event 2 and Event 4 adjustments.

Basic comparisons between the programmed registers and the PWM counter can create the desired edge placements in the DPWM. High resolution edge capability is available on Events 2, 3 and 4.

Multi Mode Open Loop



Events which change with DPWM mode:

- DPWM A Rising Edge = Event 1
- DPWM A Falling Edge = Event 2 + Cycle Adjust A
- DPWM B Rising Edge = Event 3
- DPWM B Falling Edge = Event 4 + Cycle Adjust B
- Phase Trigger = Phase Trigger Register value

Events always set by their registers, regardless of mode:

- Sample Trigger 1, Sample Trigger 2, Blanking A Begin, Blanking A End, Blanking B Begin, Blanking B End

The drawing above is for multi-mode, open loop. Open loop means that the DPWM is controlled entirely by its own registers, not by the filter output. In other words, the power supply control loop is not closed.

The Sample Trigger signals are used to trigger the Front End to sample input signals. The Blanking signals are used to blank fault measurements during noisy events, such as FET turn on and turn off. Additional DPWM modes are described below.

4.4.1.4 High Resolution PWM

Unlike conventional PWM controllers where the frequency of the clock dictates the maximum resolution of PWM edges, the UCD3138 DPWM can generate waveforms with resolutions as small as 250 ps. This is 16 times the resolution of the clock driving the DPWM module.

This is achieved by providing the DPWM mechanism with 16 phase shifted clock signals of 250 MHz each. The high resolution section of DPWM can be enabled or disabled, also the resolution can be defined in several steps between 4ns to 250ps. This is done by setting the values of PWM_HR_MULTI_OUT_EN , HIRES_SCALE and ALL_PHASE_CLK_ENA inside the DPWM Control Register 1. See the Fusion Power Peripherals programmer's manual for details.

4.4.1.5 Over Sampling

The DPWM module has the capability to trigger an over sampling event by initiating the EADC to sample the error voltage. The default "00" configuration has the DPWM trigger the EADC once based on the sample trigger register value. The over sampling register has the ability to trigger the sampling 2, 4 or 8 times per PWM period. Thus the time the over sample happens is at the divide by 2, 4, or 8 time set in the sampling register. The "01" setting triggers 2X over sampling, the "10" setting triggers 4X over sampling, and the "11" triggers over sampling at 8X.

4.4.1.6 DPWM Interrupt Generation

The DPWM has the capability to generate a CPU interrupt based on the PWM frequency programmed in the period register. The interrupt can be scaled by a divider ratio of up to 255 for developing a slower interrupt service execution loop. This interrupt can be fed to the ADC circuitry for providing an ADC12 trigger for sequence synchronization. [Table 4-2](#) outlines the divide ratios that can be programmed.

4.4.1.7 DPWM Interrupt Scaling/Range

Table 4-2. DPWM Interrupt Divide Ratio

Interrupt Divide Setting	Interrupt Divide Count	Interrupt Divide Count (hex)	Switching Period Frames (assume 1MHz loop)	Number of 32 MHz Processor Cycles
1	0	00	1	32
2	1	01	2	64
3	3	03	4	128
4	7	07	8	256
5	15	0F	16	512
6	31	1F	32	1024
7	47	2F	48	1536
8	63	3F	64	2048
9	79	4F	80	2560
10	95	5F	96	3072
11	127	7F	128	4096
12	159	9F	160	5120
13	191	BF	192	6144
14	223	DF	224	7168
15	255	FF	256	8192

4.5 DPWM Modes of Operation

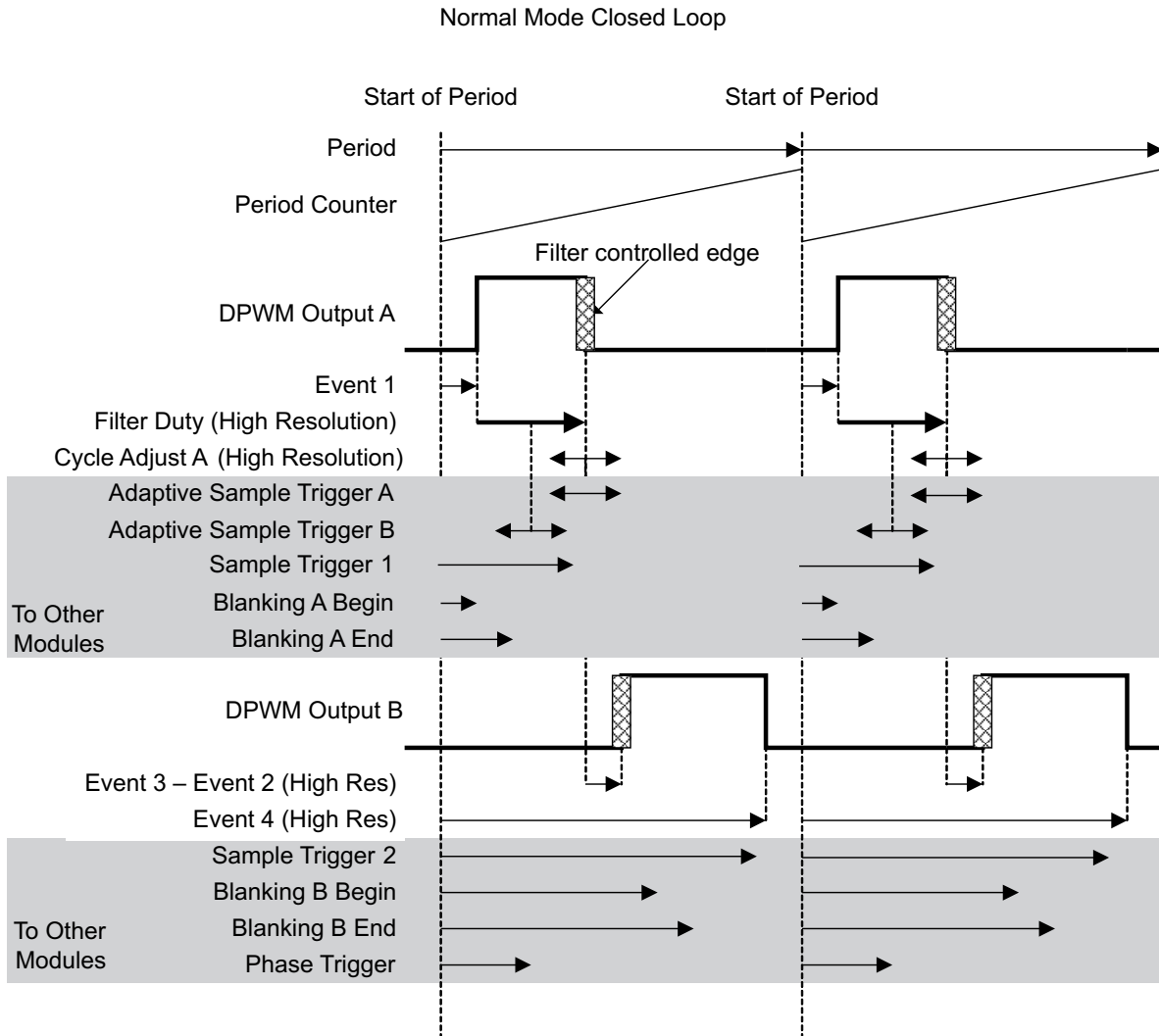
The DPWM is a complex logic system which is highly configurable to support several different power supply topologies. The discussion below will focus primarily on waveforms, timing and register settings, rather than on logic design.

The DPWM is centered on a period counter, which counts up from 0 to PRD, and then is reset and starts over again.

The DPWM logic causes transitions in many digital signals when the period counter hits the target value for that signal.

4.5.1 Normal Mode

In Normal mode, the Filter output determines the pulse width on DPWM A. DPWM B fits into the rest of the switching period, with a dead time separating it from the DPWM A on-time. It is useful for buck topologies, among others. Here is a drawing of the Normal Mode waveforms:



Events which change with DPWM mode:

DPWM A Rising Edge = Event 1

DPWM A Falling Edge = Event 1 + Filter Duty + Cycle Adjust A

Adaptive Sample Trigger A = Event 1 + Filter Duty + Adaptive Sample Register or

Adaptive Sample Trigger B = Event 1 + Filter Duty/2 + Adaptive Sample Register

DPWM B Rising Edge = Event 1 + Filter Duty + Cycle Adjust A + (Event 3 – Event 2)

DPWM B Falling Edge = Event 4

Phase Trigger = Phase Trigger Register value or Filter Duty

Events always set by their registers, regardless of mode:

Sample Trigger 1, Sample Trigger 2, Blanking A Begin, Blanking A End, Blanking B Begin, Blanking B End

Cycle adjust A can be used to adjust pulse widths on individual phases of a multi-phase system. This can be used for functions like current balancing. The Adaptive Sample Triggers can be used to sample in the middle of the on-time (for an average output), or at the end of the on-time (to minimize phase delay) The Adaptive Sample Register provides an offset from the center of the on-time. This can compensate for external delays, such as MOSFET and gate driver turn on times.

Blanking A-Begin and Blanking A-End can be used to blank out noise from the MOSFET turn on at the beginning of the period (PWMA rising edge). Blanking B could be used at the turn off time of PWMB. The other edges are dynamic, so blanking is more difficult.

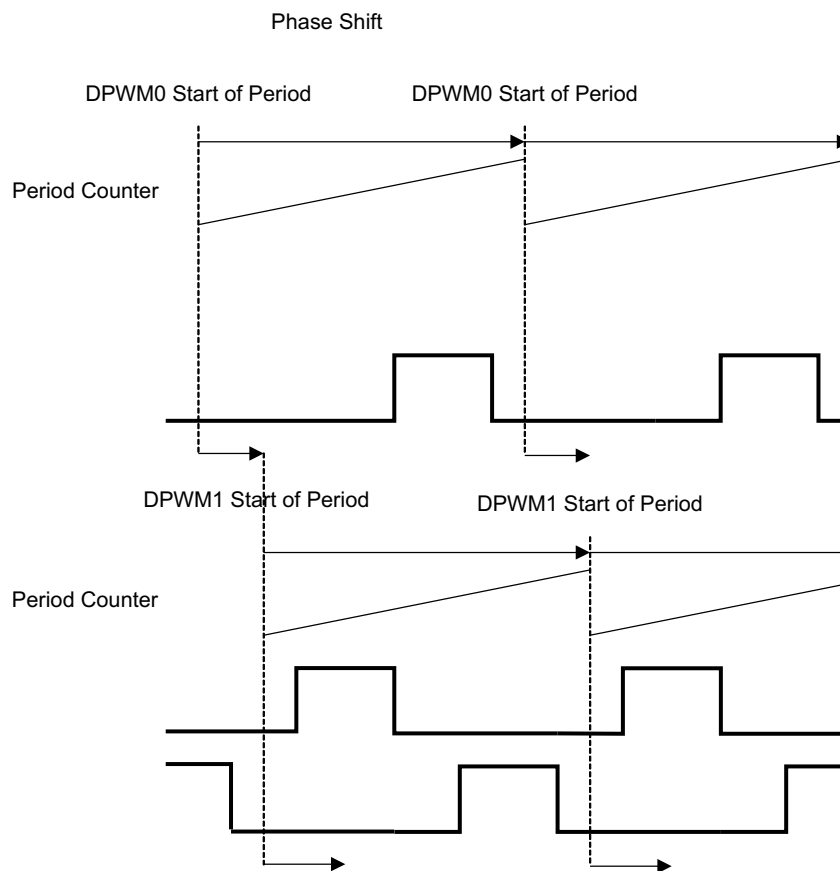
Cycle Adjust B has no effect in Normal Mode.

4.6 Phase Shifting

In most modes, it is possible to synchronize multiple DPWM modules using the phase shift signal. The phase shift signal has two possible sources. It can come from the Phase Shift Register. This provides a fixed value, which is useful for an interleaved PFC, for example.

The phase shift value can also come from the filter output. In this case, the changes in the filter output causes changes in the phase relationship of two DPWM modules. This is useful for phase shifted full bridge topologies.

The following figure shows the mechanism of phase shift:

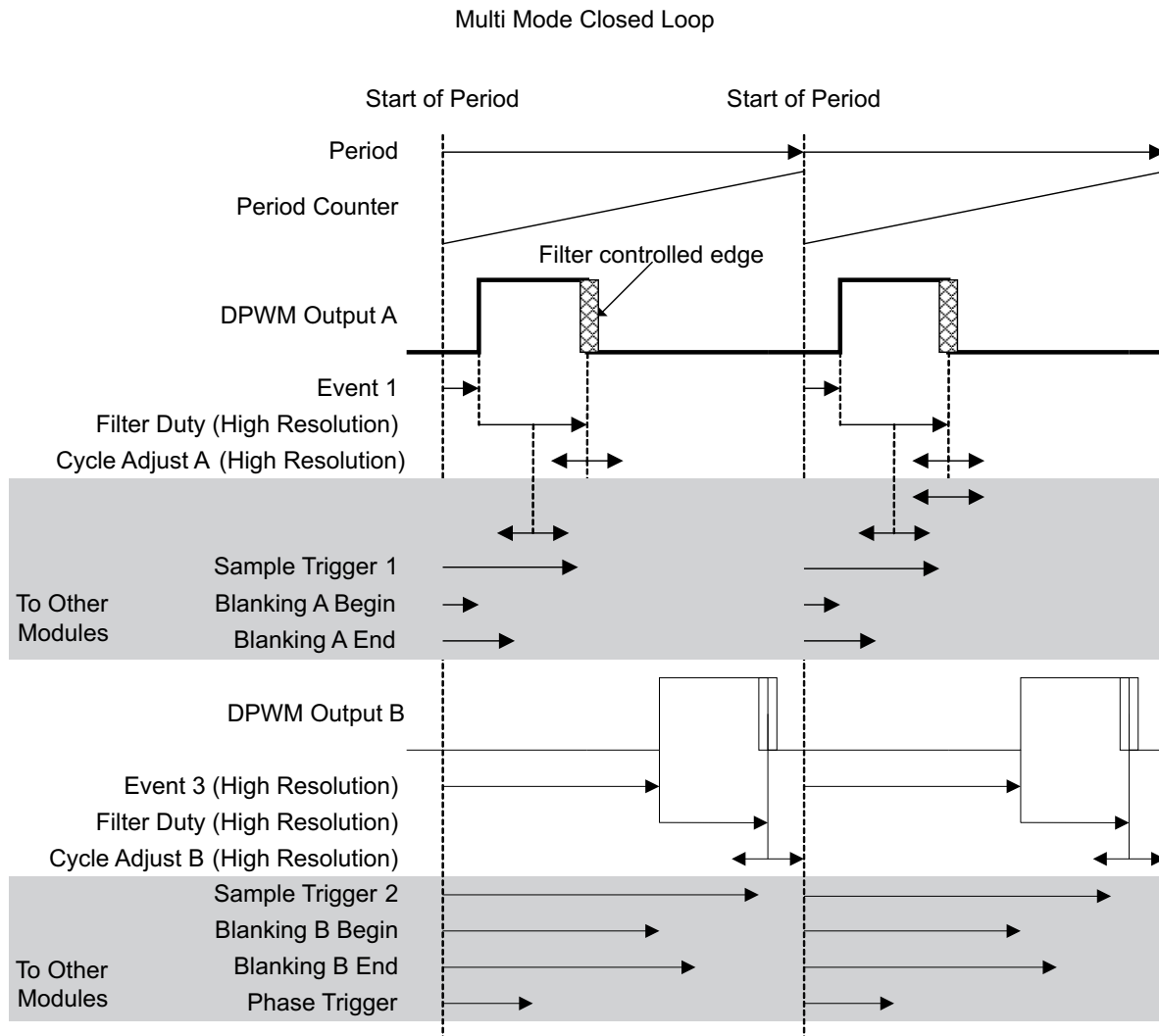


Phase Trigger = Phase Trigger Register value or Filter Duty

4.7 DPWM Multiple Output Mode

Multi mode is used for systems where each phase has only one driver signal. It enables each DPWM peripheral to drive two phases with the same pulse width, but with a time offset between the phases, and with different cycle adjusts for each phase.

Here is a diagram for Multi-Mode:



Events which change with DPWM mode:

DPWM A Rising Edge = Event 1

DPWM A Falling Edge = Event 1 + Filter Duty + Cycle Adjust A

Adaptive Sample Trigger A = Event 1 + Filter Duty + Adaptive Sample Register or

Adaptive Sample Trigger B = Event 1 + Filter Duty/2 + Adaptive Sample Register

DPWM B Rising Edge = Event 3

DPWM B Falling Edge = Event 3 + Filter Duty + Cycle Adjust B

Phase Trigger = Phase Trigger Register value or Filter Duty

Events always set by their registers, regardless of mode:

Sample Trigger 1, Sample Trigger 2, Blanking A Begin, Blanking A End, Blanking B Begin, Blanking B End

Event 2 and Event 4 are not relevant in Multi mode.

DPWMB can cross over the period boundary safely, and still have the proper pulse width, so full 100% pulse width operation is possible. DPWMA cannot cross over the period boundary.

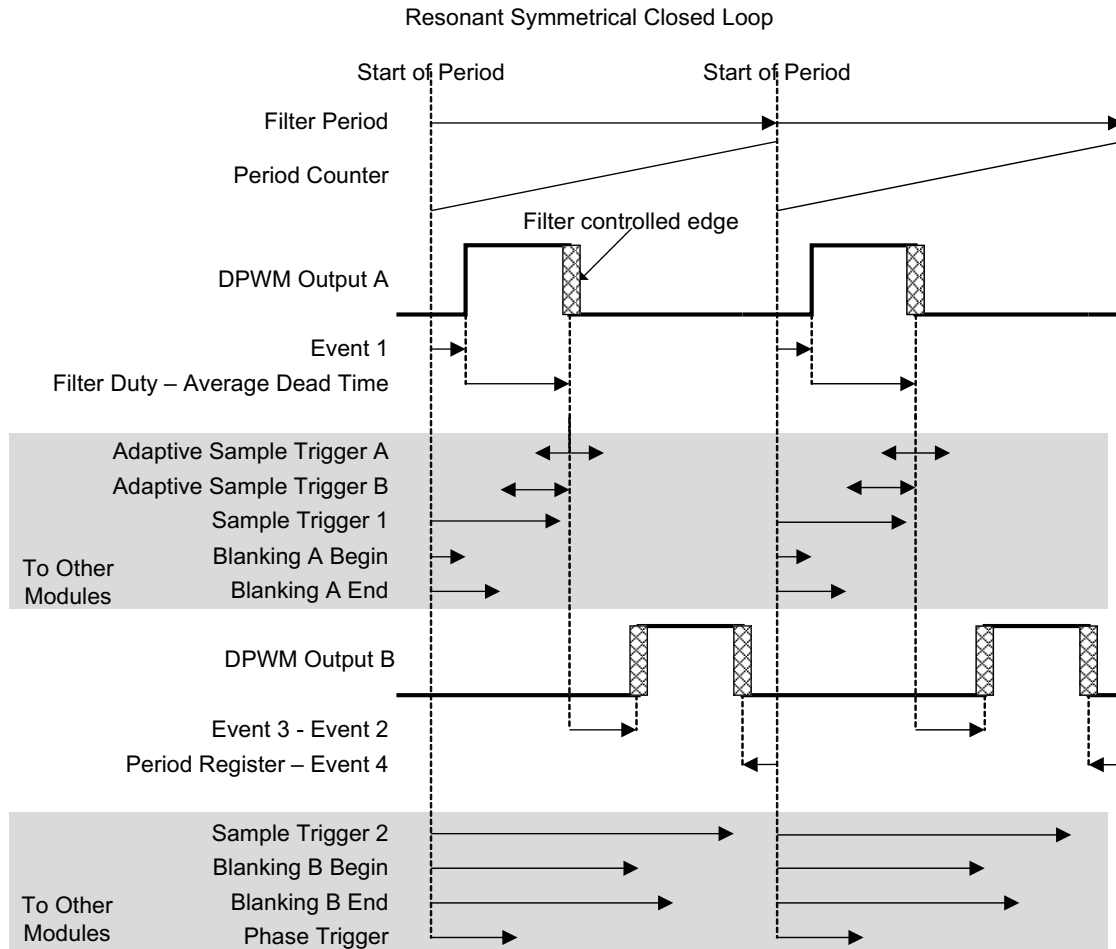
Since the rising edge on DPWM B is also fixed, Blanking B-Begin and Blanking B-End can be used for blanking this rising edge.

And, of course, Cycle Adjust B is usable on DPWM B.

4.8 DPWM Resonant Mode

This mode provides a symmetrical waveform where DPWMA and DPWMB have the same pulse width. As the switching frequency changes, the dead times between the pulses remain the same.

The equations for this mode are designed for a smooth transition from PWM mode to resonant mode, as described in the [LLC Example](#) section. Here is a diagram of this mode:



Events which change with DPWM mode:

Dead Time 1 = Event 3 – Event 2

Dead Time 2 = Event 1 + Period Register – Event 4

Average Dead Time = (Dead Time 1 + Dead Time 2)/2

DPWM A Rising Edge = Event 1

DPWM A Falling Edge = Event 1 + Filter Duty – Average Dead Time

Adaptive Sample Trigger A = Event 1 + Filter Duty + Adaptive Sample Register

Adaptive Sample Trigger B = Event 1 + Filter Duty/2 + Adaptive Sample Register

DPWM B Rising Edge = Event 1 + Filter Duty – Average Dead Time + (Event 3 – Event 2)

DPWM B Falling Edge = Filter Period – (Period Register – Event 4)

Phase Trigger = Phase Trigger Register value or Filter Duty

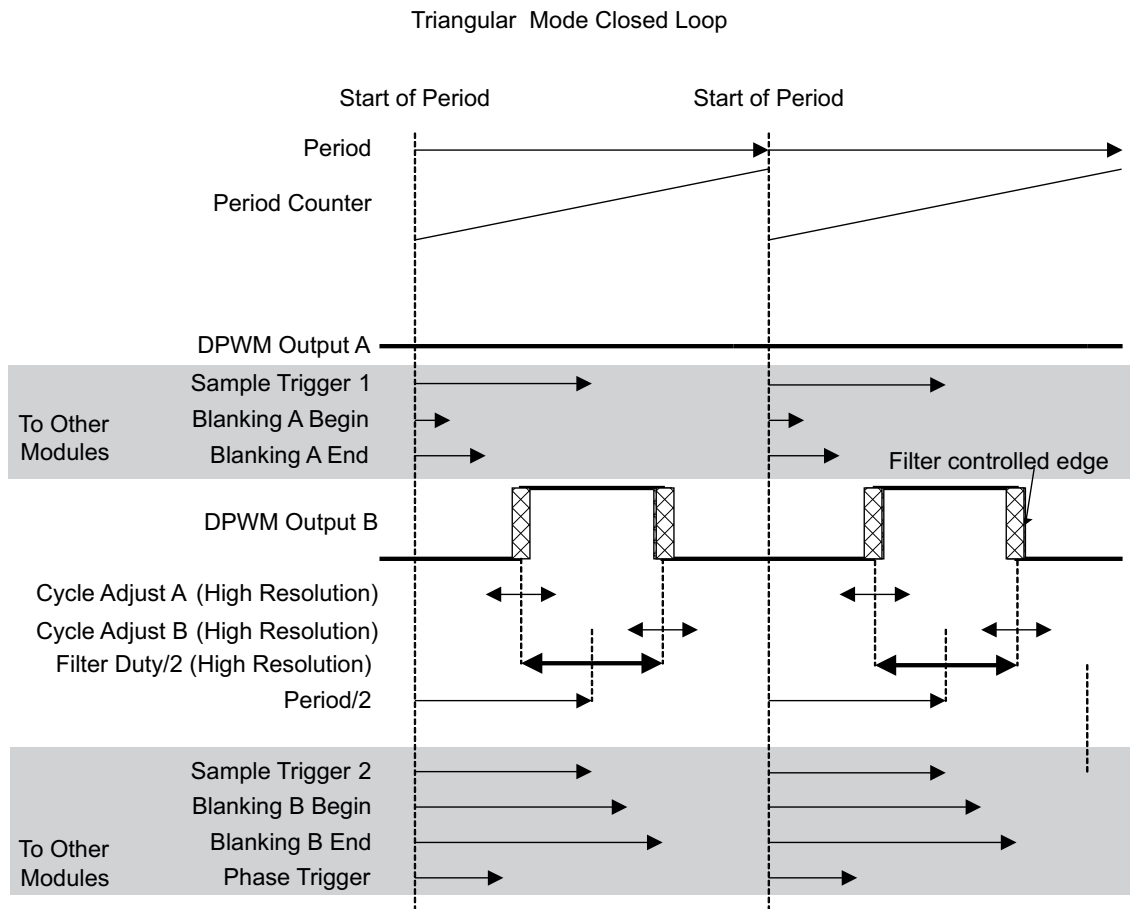
Events always set by their registers, regardless of mode:

Sample Trigger 1, Sample Trigger 2, Blanking A Begin, Blanking A End, Blanking B Begin, Blanking B End

The Filter has two outputs, Filter Duty and Filter Period. In this case, the Filter is configured so that the Filter Period is twice the Filter Duty. So if there were no dead times, each DPWM pin would be on for half of the period. For dead time handling, the average of the two dead times is subtracted from the Filter Duty for both DPWM pins. Therefore, both pins will have the same on-time, and the dead times will be fixed regardless of the period. The only edge which is fixed relative to the start of the period is the rising edge of DPWM A. This is the only edge for which the blanking signals can be used easily.

4.9 Triangular Mode

Triangular mode provides a stable phase shift in interleaved PFC and similar topologies. In this case, the PWM pulse is centered in the middle of the period, rather than starting at one end or the other. In Triangular Mode, only DPWM-B is available. Here is a diagram for Triangular Mode:



Events which change with DPWM mode:

- DPWM A Rising Edge = None
- DPWM A Falling Edge = None
- Adaptive Sample Trigger = None
- DPWM B Rising Edge = $\text{Period}/2 - \text{Filter Duty}/2 + \text{Cycle Adjust A}$
- DPWM B Falling Edge = $\text{Period}/2 + \text{Filter Duty}/2 + \text{Cycle Adjust B}$
- Phase Trigger = Phase Trigger Register value or Filter Duty

Events always set by their registers, regardless of mode:

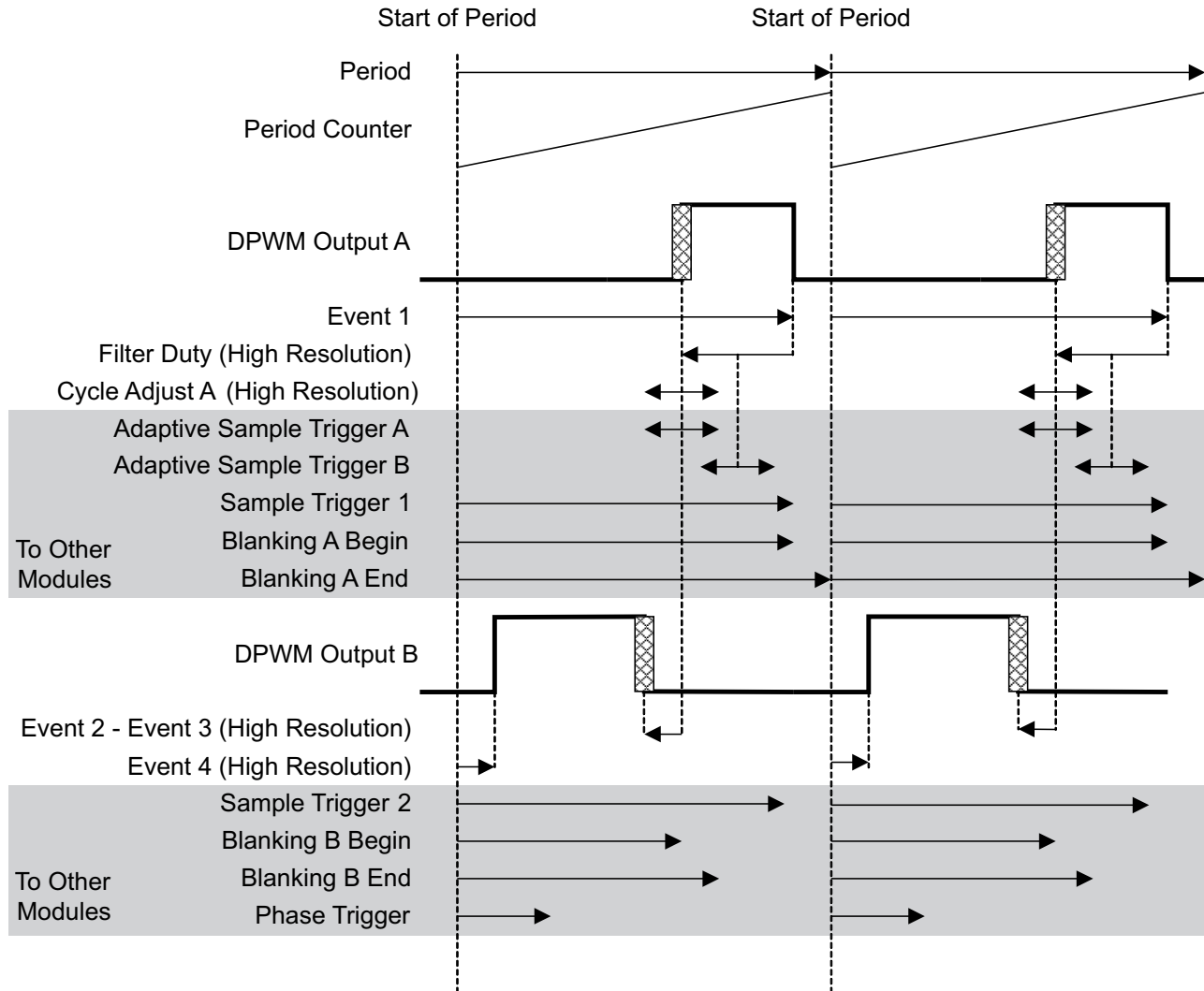
- Sample Trigger 1, Sample Trigger 2, Blanking A Begin, Blanking A End, Blanking B Begin, Blanking B End

All edges are dynamic in triangular mode, so fixed blanking is not that useful. The adaptive sample trigger is not needed. It is very easy to put a fixed sample trigger exactly in the center of the FET on-time, because the center of the on-time does not move in this mode.

4.10 Leading Edge Mode

Leading edge mode is very similar to Normal mode, reversed in time. The DPWM A falling edge is fixed, and the rising edge moves to the left, or backwards in time, as the filter output increases. The DPWM B falling edge stays ahead of the DPWMA rising edge by a fixed dead time. Here is a diagram of the Leading Edge Mode:

Leading Edge Closed Loop



Events which change with DPWM mode:

- DPWM A Falling Edge = Event 1
- DPWM A Rising Edge = Event 1 - Filter Duty + Cycle Adjust A
- Adaptive Sample Trigger A = Event 1 - Filter Duty + Adaptive Sample Register or
- Adaptive Sample Trigger B = Event 1 - Filter Duty/2 + Adaptive Sample Register
- DPWM B Rising Edge = Event 4
- DPWM B Falling Edge = Event 1 - Filter Duty + Cycle Adjust A -(Event 2 – Event 3)
- Phase Trigger = Phase Trigger Register value or Filter Duty

Events always set by their registers, regardless of mode:

- Sample Trigger 1, Sample Trigger 2, Blanking A Begin, Blanking A End, Blanking B Begin, Blanking B End

As in the Normal mode, the two edges in the middle of the period are dynamic, so the fixed blanking intervals are mainly useful for the edges at the beginning and end of the period.

4.11 Sync FET Ramp and IDE Calculation

The UCD3138 has built in logic for controlling MOSFETs for synchronous rectification (Sync FETs). This comes in two forms:

- Sync FET ramp
- Ideal Diode Emulation (IDE) calculation

When starting up a power supply, sometimes there is already a voltage on the output – this is called prebias. It is very difficult to calculate the ideal Sync FET on-time for this case. If it is not calculated correctly, it may pull down the pre-bias voltage, causing the power supply to sink current.

To avoid this, Sync FETs are not turned on until after the power supply has ramped up to the nominal voltage. The Sync FETs are turned on gradually in order to avoid an output voltage glitch. The Sync FET Ramp logic can be used to turn them on at a rate below the bandwidth of the filter.

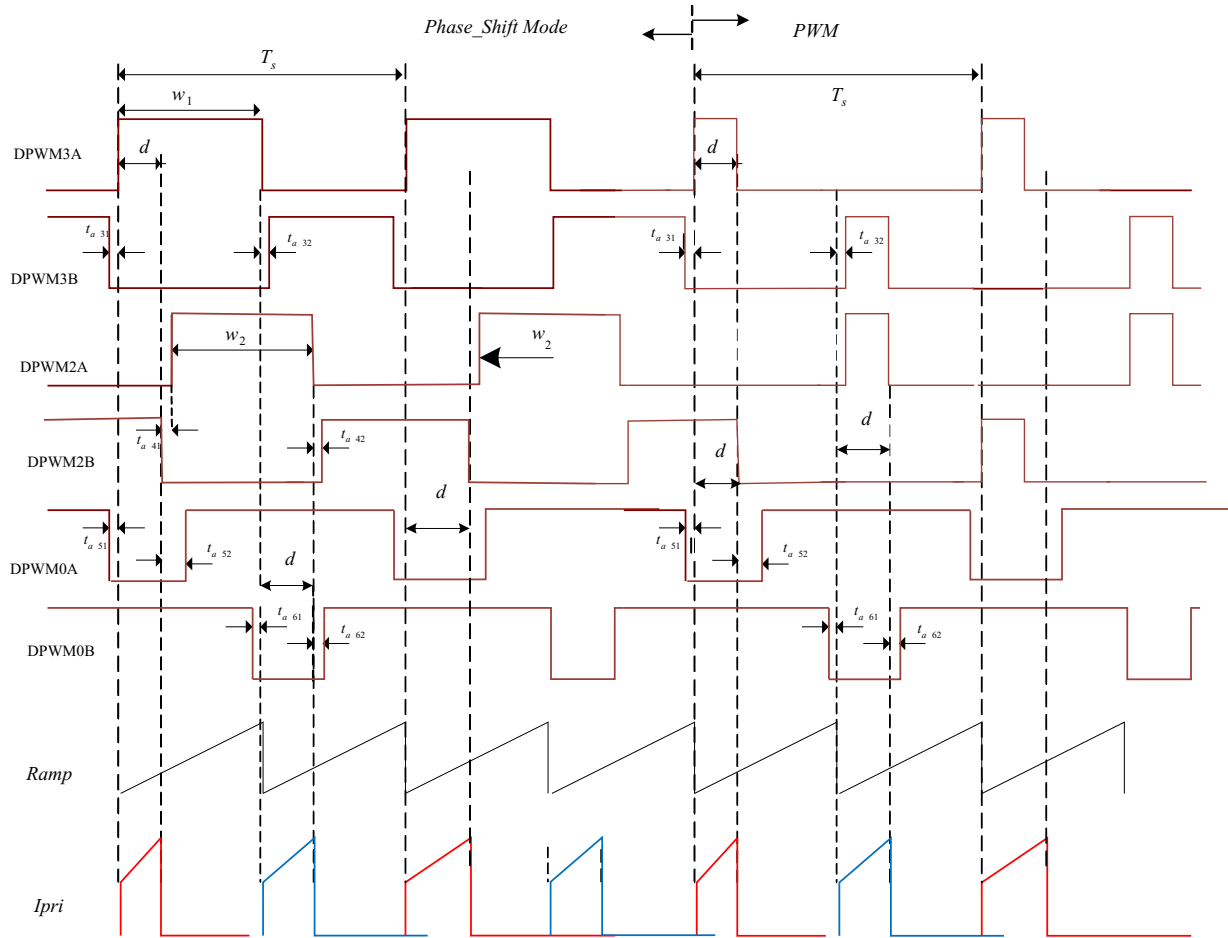
In discontinuous mode, the ideal on-time for the Sync FETs is a function of V_{in} , V_{out} , and the primary side duty cycle (D). The IDE logic in the UCD3138 takes V_{in} and V_{out} data from the firmware and combines it with D data from the filter hardware. It uses this information to calculate the ideal on-time for the Sync FETs.

4.12 Automatic Mode Switching

Automatic Mode switching enables the DPWM module to switch between modes automatically, with no firmware intervention. This is useful to increase efficiency and power range. The following paragraphs describe phase-shifted full bridge and LLC examples:

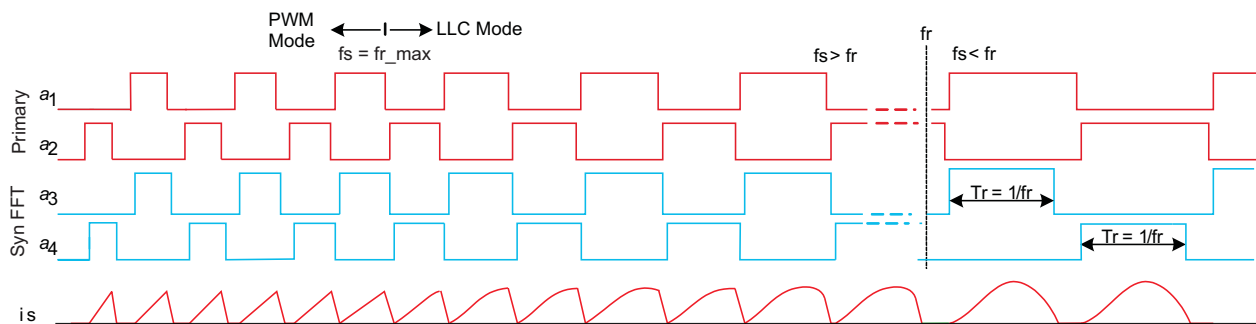
4.12.1 Phase Shifted Full Bridge Example

In phase shifted full bridge topologies, efficiency can be increased by using pulse width modulation, rather than phase shift, at light load. This is shown below:



4.12.2 LLC Example

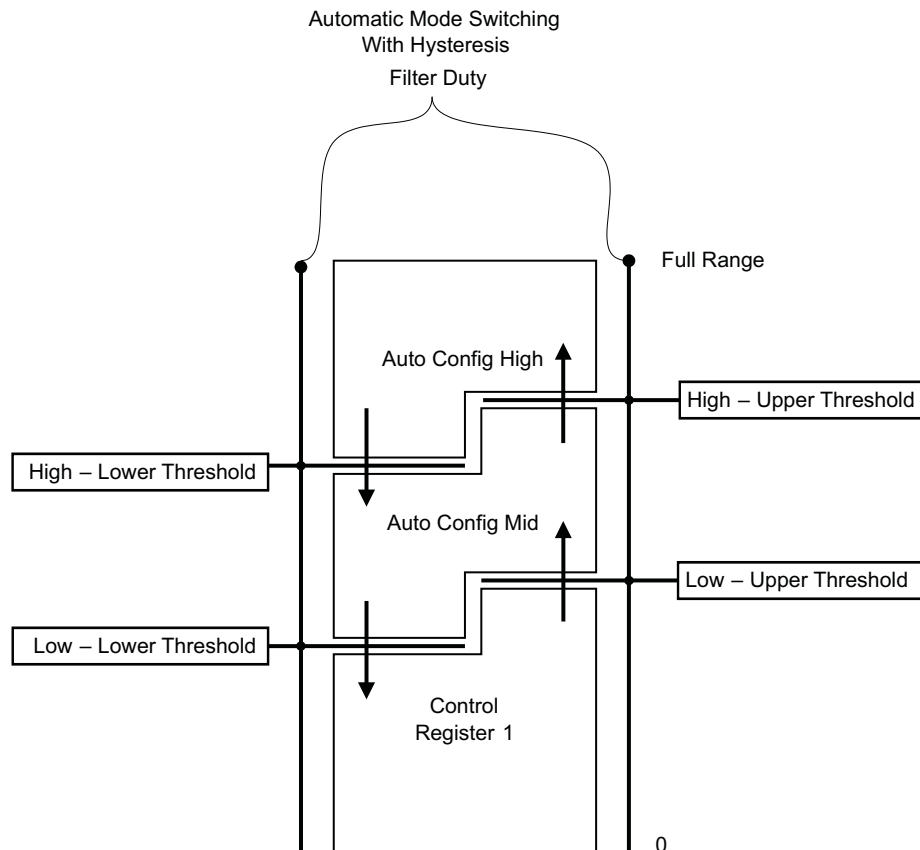
In LLC, three modes are used. At the highest frequency, a pulse width modulated mode (Multi Mode) is used. As the frequency decreases, resonant mode is used. As the frequency gets still lower, the synchronous MOSFET drive changes so that the on-time is fixed and does not increase. Here are the waveforms for the LLC:



4.12.3 Mechanism for Automatic Mode Switching

Many of the configuration parameters for the DPWM are in DPWM Control Register 1. For automatic mode switching, some of these parameters are duplicated in the Auto Config Mid and Auto Config High registers.

If automatic mode switching is enabled, the filter duty signal is used to select which of these three registers is used. There are 4 registers which are used to select the points at which the mode switching takes place. They are used as shown below.



As shown, the registers are used in pairs for hysteresis. The transition from Control Register 1 to Auto Config Mid only takes place when the Filter Duty goes above the Low Upper threshold. It does not go back to Auto Config Mid until the Low Lower Threshold is passed. This prevents oscillation between modes if the filter duty is close to a mode switching point.

4.13 DPWMC, Edge Generation, IntraMux

The UCD31xx has hardware for generating complex waveforms beyond the simple DPWMA and DPWMB waveforms already discussed – DPWMC, the Edge Generation Module, and the IntraMux.

DPWMC is a signal inside the DPWM logic. It goes high at the Blanking A begin time, and low at the Blanking A end time.

The Edge Gen module takes DPWMA and DPWMB from its own DPWM module, and the next one, and uses them to generate edges for two outputs. For DPWM3, the DPWM0 is considered to be the next DPWM. Each edge (rising and falling for DPWMA and DPWMB) has 8 options which can cause it.

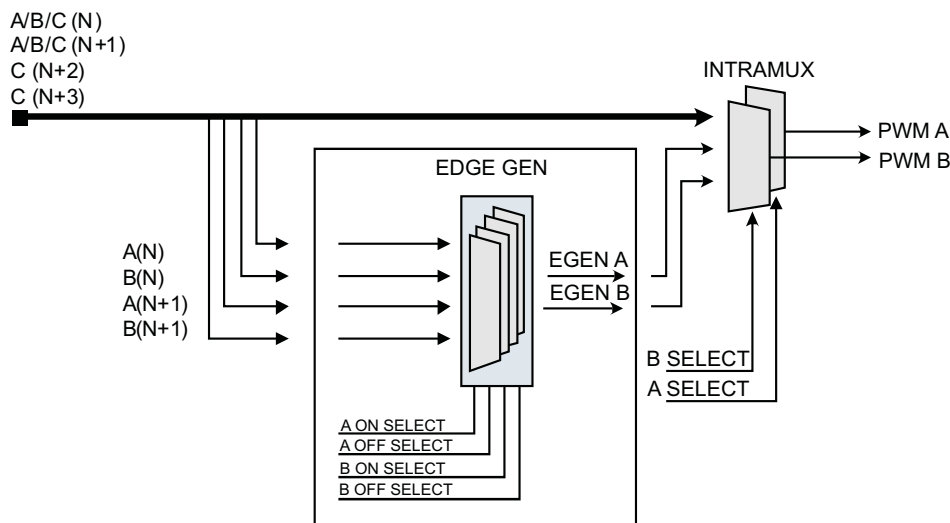
The options are:

- 0 = DPWM(n) A Rising edge
- 1 = DPWM(n) A Falling edge
- 2 = DPWM(n) B Rising edge
- 3 = DPWM(n) B Falling edge
- 4 = DPWM(n+1) A Rising edge
- 5 = DPWM(n+1) A Falling edge
- 6 = DPWM(n+1) B Rising edge
- 7 = DPWM(n+1) B Falling edge

The Edge Gen is controlled by the DPWMEDGEGEN register. It also has an enable/disable bit.

The IntraMux is controlled by the Auto Config registers. Intra Mux is short for intra multiplexer. The IntraMux takes signals from multiple DPWMs and from the Edge Gen and combines them logically to generate DPWMA and DPWMB signals. This is useful for topologies like phase-shifted full bridge, especially when they are controlled with automatic mode switching. Of course, it can all be disabled, and DPWMA and DPWMB will be driven as described in the sections above. If the Intra Mux is enabled, high resolution must be disabled, and DPWM edge resolution goes down to 4 ns.

Here is a drawing of the Edge Gen/Intra Mux:



Here is a list of the IntraMux modes for DPWMA:

- 0 = DPWMA(n) pass through (default)
- 1 = Edge-gen output, DPWMA(n)
- 2 = DPWNC(n)
- 3 = DPWMB(n) (Crossover)
- 4 = DPWMA(n+1)
- 5 = DPWMB(n+1)

6 = DPWMC(n+1)

7 = DPWMC(n+2)

8 = DPWMC(n+3)

and for DPWMB:

0 = DPWMB(n) pass through (default)

1 = Edge-gen output, DPWMB(n)

2 = DPWNC(n)

3 = DPWMA(n) (Crossover)

4 = DPWMA(n+1)

5 = DPWMB(n+1)

6 = DPWMC(n+1)

7 = DPWMC(n+2)

8 = DPWMC(n+3)

The DPWM number wraps around just like the Edge Gen unit. For DPWM4 the following definitions apply:

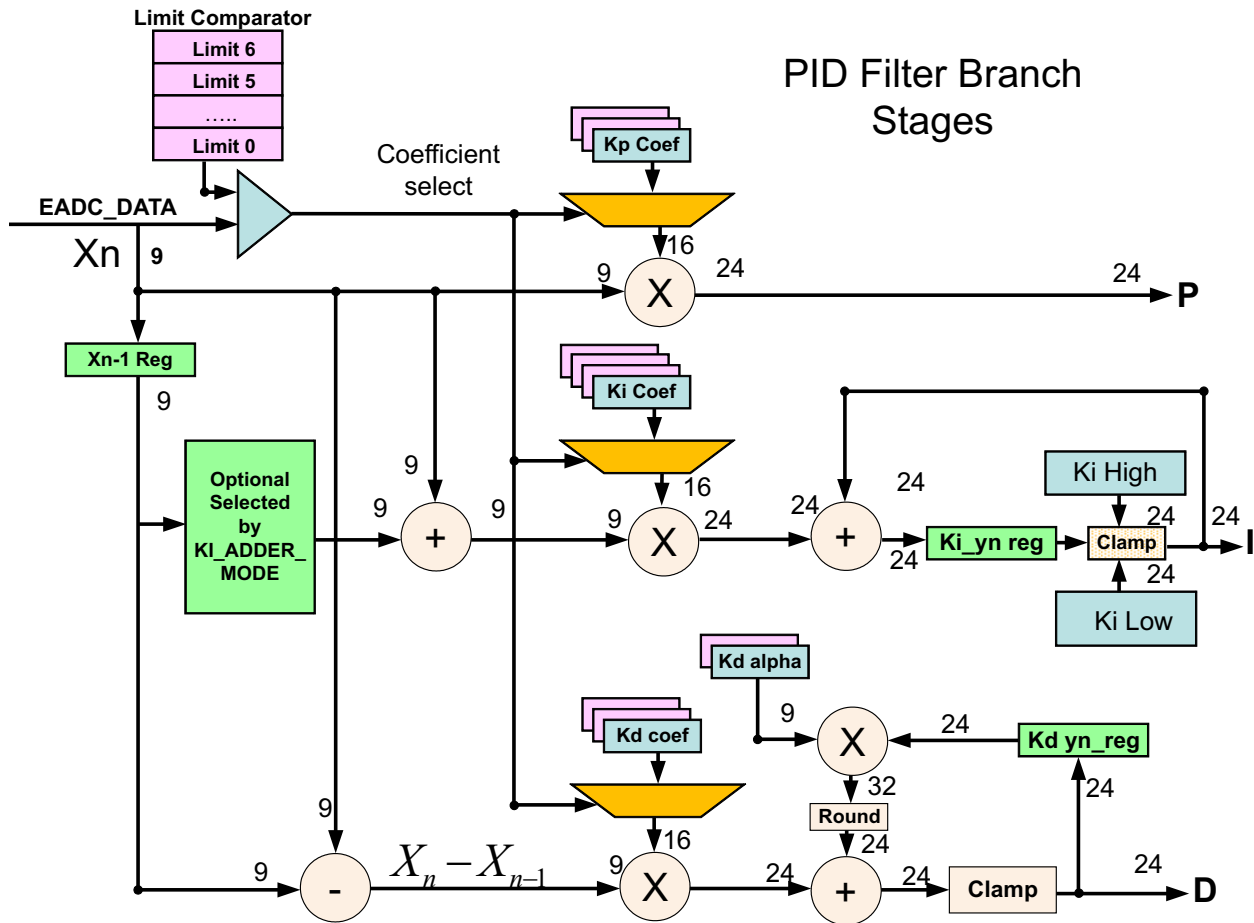
DPWM(n)	DPWM4
DPWM(n+1)	DPWM0
DPWM(n+2)	DPWM1
DPWM(n+3)	DPWM2

4.14 Filter

The UCD31XX filter is a PID filter with many enhancements for power supply control. Some of its features include:

- Traditional PID Architecture
- Programmable non-linear limits for automated modification of filter coefficients based on received EADC error
- Multiple coefficient sets fully configurable by firmware
- Full 24-bit precision throughout filter calculations
- Programmable clamps on integrator branch and filter output
- Ability to load values into internal filter registers while system is running
- Ability to stall calculations on any of the individual filter branches
- Ability to turn off calculations on any of the individual filter branches
- Duty cycle, resonant period, or phase shift generation based on filter output.
- Flux balancing
- Voltage feed forward

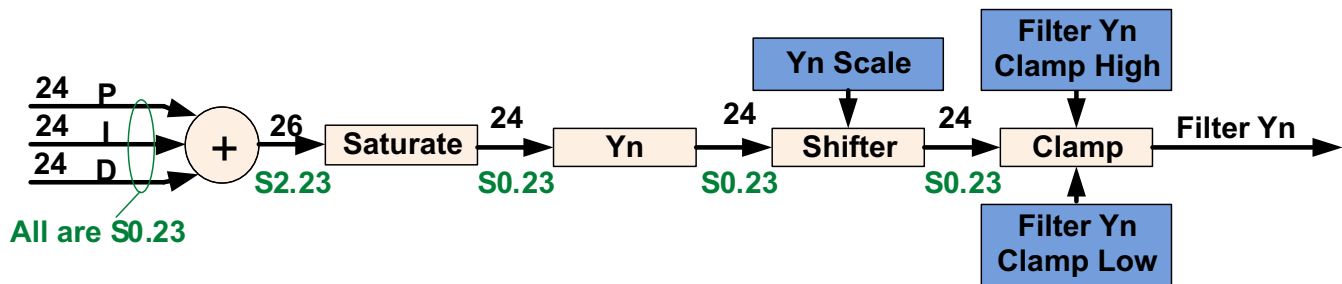
Here is the first section of the Filter:



The filter input, X_n , generally comes from a front end. Then there are three branches, P, I, and D. Note that the D branch also has a pole, Kd Alpha. Clamps are provided both on the I branch and on the D alpha pole.

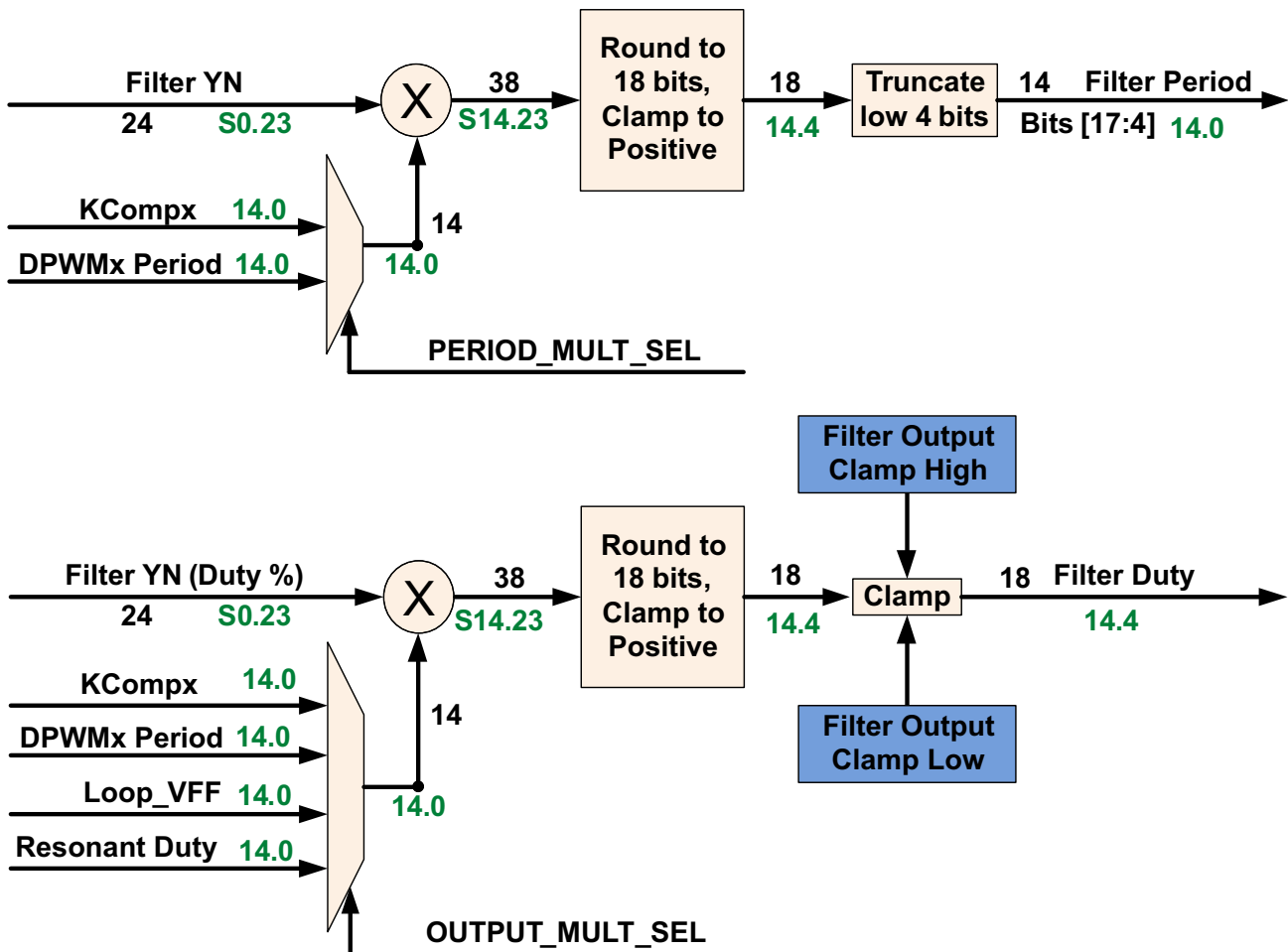
The filter also supports a nonlinear mode, where up to 7 different sets of coefficients can be selected depending on the magnitude of the error input X_n . This can be used to increase the filter gain for higher errors to improve transient response.

Here is the output section of the filter:



This section combines the P, I, and D sections, and provides for saturation, scaling, and clamping.

There is a final section for the filter, which permits its output to be matched to the DPWM:



This permits the filter output to be multiplied by a variety of correction factors to match the DPWM Period, to provide for Voltage Feed Forward, or for other purposes. After this, there is another clamp. For resonant mode, the filter can be used to generate both period and duty cycle.

4.14.1 Loop Multiplexer

The Loop Mux controls interconnections between the filters, front ends, and DPWMs. Any filter, front end, and DPWM can be combined with each other in many configurations.

It also controls the following connections:

- DPWM to Front End
- Front End DAC control from Filters or Constant Current/Constant Power Module
- Filter Special Coefficients and Feed Forward
- DPWM synchronization
- Filter to DPWM

The following control modules are configured in the Loop Mux:

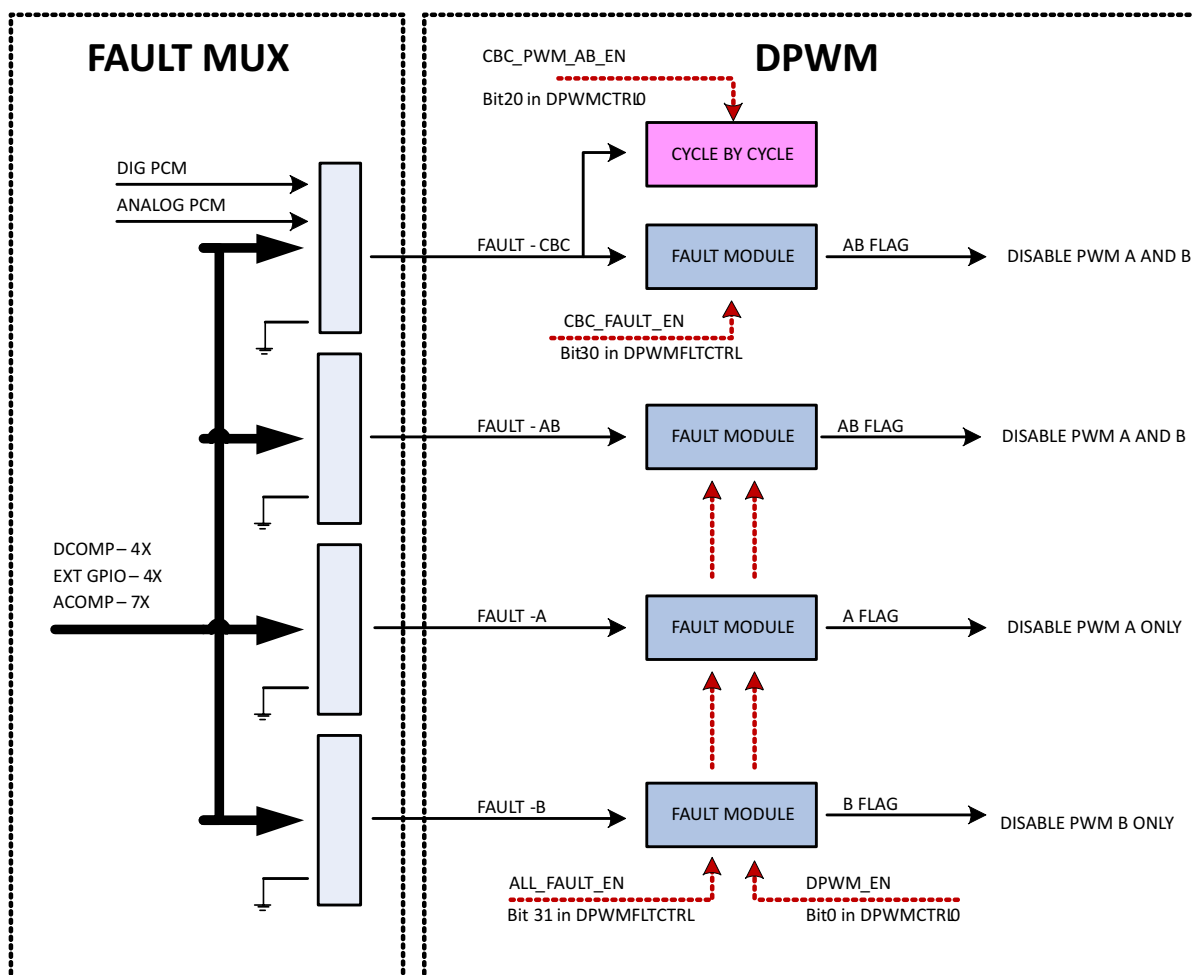
- Constant Power/Constant Current
- Cycle Adjustment (Current and flux balancing)
- Global Period
- Light Load (Burst Mode)
- Analog Peak Current Mode

4.14.2 Fault Multiplexer

In order to allow a flexible way of mapping several fault triggering sources to all the DPWMs channels, the UCD3138 provides an extensive array of multiplexers that are united under the name Fault Mux module.

The Fault Mux Module supports the following types of mapping between all the sources of fault and all different fault response mechanism inside each DPWM module.

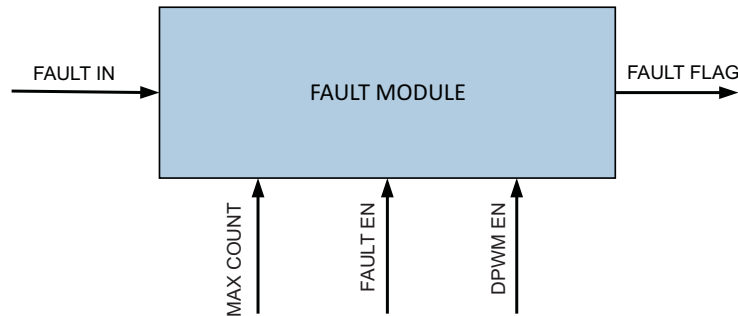
- Many fault sources mapped to a single fault response mechanism. For instance an analog comparator in charge of over voltage protection, a digital comparator in charge of over current protection and an external digital fault pin can be all mapped to a fault-A signal connected to a single FAULT MODULE and shut down DPWM1-A.
- A single fault source can be mapped to many fault response mechanisms inside many DPWM modules. For instance an analog comparator in charge of over current protection can be mapped to DPWM-0 through DPWM-3 by way of several fault modules.
- Many fault sources can be mapped to many fault modules inside many DPWM modules.



The Fault Mux Module provides a multitude of fault protection functions within the UCD3138 high-speed loop (Front End Control, Filter, DPWM and Loop Mux modules). The Fault Mux Module allows highly configurable fault generation based on digital comparators, high-speed analog comparators and external fault pins. Each of the fault inputs to the DPWM modules can be configured to one or any combination of the fault events provided in the Fault Mux Module.

Each one of the DPWM engines has four fault modules. The modules are called CBC fault module, AB fault module, A fault module and B fault module.

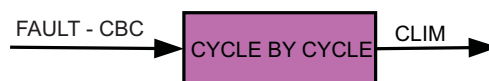
The internal circuitry in all the four fault modules is identical, and the difference between the modules is limited to the way the modules are attached to the DPWMs.



All fault modules provide immediate fault detection but only once per DPWM switching cycle. Each one of the fault modules own a separate max_count and the fault flag will be set only if sequential cycle-by-cycle faults count exceeds max_count.

Once the fault flag is set DPWMs need to be disabled by DPWM_EN going low in order to clear the fault flags. Please note, all four Fault Modules share the same DPWM_EN control, all fault flags (output of Fault Modules) will be cleared simultaneously.

All four Fault Modules share the same global FAULT_EN as well. Therefore a specific Fault Module cannot be enabled/ disabled separately.



Unlike Fault Modules, only one Cycle by Cycle block is available in each DPWM module.

The Cycle by Cycle block works in conjunction with CBC Fault Module and enables DPWM reaction to signals arriving from Analog Peak current mode (PCM) module.

The Fault Mux Module supports the following basic functions:

- 4 digital comparators with programmable thresholds and fault generation
- Configuration for 7 high speed analog comparators with programmable thresholds and fault generation
- External GPIO detection control with programmable fault generation
- Configurable DPWM fault generation for DPWM Current Limit Fault, DPWM Over-Voltage Detection Fault, DPWM A External Fault, DPWM B External Fault and DPWM IDE Flag
- Clock Failure Detection for High and Low Frequency Oscillator blocks
- Discontinuous Conduction Mode Detection

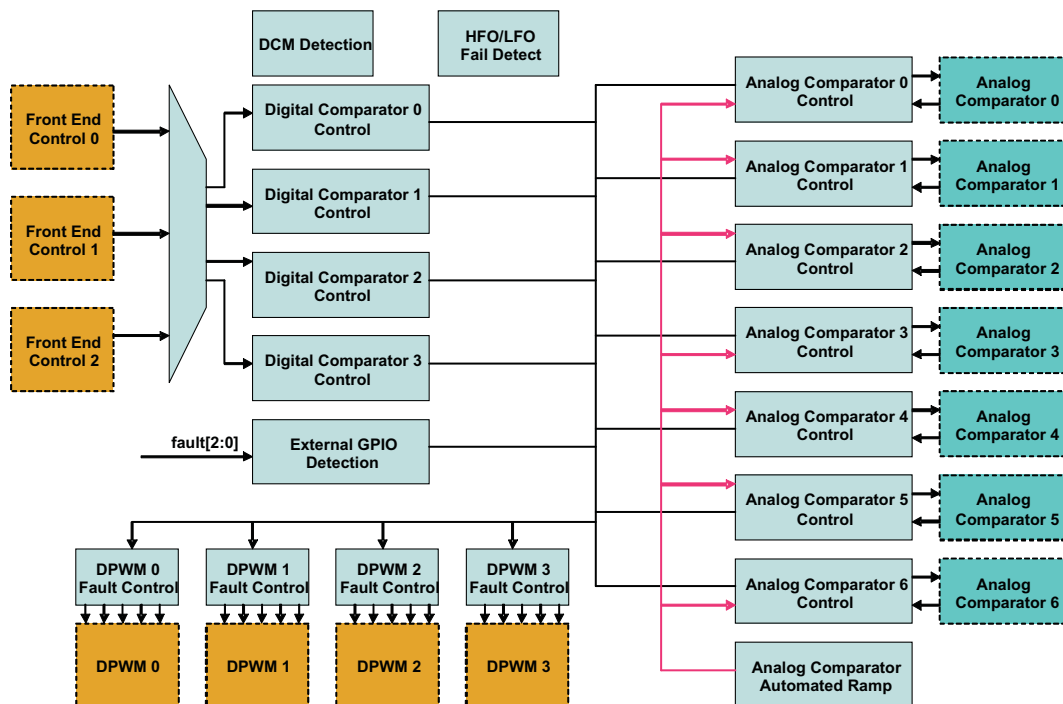


Figure 4-2. Fault Mux Block Diagram

4.15 Communication Ports

4.15.1 SCI (UART) Serial Communication Interface

A maximum of two independent Serial Communication Interface (SCI) or Universal Asynchronous Receiver/Transmitter (UART) interfaces are included within the device for asynchronous start-stop serial data communication (see the pin out sections for details) Each interface has a 24 bit prescaler for supporting programmable baud rates and has programmable data word and stop bit options. Half or full duplex operation is configurable through register bits. A loop back feature can also be setup for firmware verification. Both SCI-TX and SCI-RX pin sets can be used as GPIO pins when the peripheral is not being used.

4.15.2 PMBUS

The PMBus Interface supports independent master and slave modes controlled directly by firmware through a processor bus interface. Individual control and status registers enable firmware to send or receive I2C, SMBus or PMBus messages in any of the accepted protocols, in accordance with the I²C Specification, SMBus Specification (Version 2.0) and the PMBUS Power System Management Protocol Specification.

The PMBus interface is controlled through a processor bus interface, utilizing a 32-bit data bus and 6-bit address bus. The PMBus interface is connected to the expansion bus, which features 4 byte write enables, a peripheral select dedicated for the PMBus interface, separated 32-bit data buses for reading and writing of data and active-low write and output enable control signals. In addition, the PMBus Interface connects directly to the I²C/SMBus/PMBus Clock, Data, Alert, and Control signals.

Example: PMBus Address Decode via ADC12 Reading

The user can allocate 2 pins of the 12-bit ADC input channels, AD_00 and AD_01, for PMBus address decoding. At power-up the device applies I_{BIAS} to each address detect pin and the voltage on that pin is captured by the internal 12-bit ADC.

Where bin(V_{AD0x}) is the address bin for one of 12 address as shown in [Figure 4-3](#).

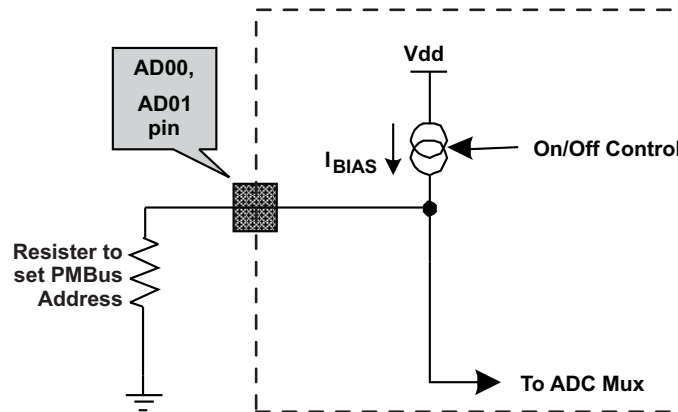


Figure 4-3. PMBus Address Detection Method

4.15.3 General Purpose ADC12

The ADC12 is a 12 bit, high speed analog to digital converter, equipped with the following options:

- Typical conversion speed of 268 ksps
- Conversions can consist from 1 to 16 ADC channel conversions in any desired sequence
- Post conversion averaging capability, ranging from 4X, 8X, 16X or 32X samples
- Configurable triggering for ADC conversions from the following sources: firmware, DPWM rising edge, ADC_EXT_TRIG pin or Analog Comparator results
- Interrupt capability to embedded processor at completion of ADC conversion
- Six digital comparators on the first 6 channels of the conversion sequence using either raw ADC data or averaged ADC data
- Two 10 μ A current sources for excitation of PMBus addressing resistors
- Dual sample and hold for accurate power measurement
- Internal temperature sensor for temperature protection and monitoring

The control module ([ADC12 Control Block Diagram](#)) contains the control and conversion logic for auto-sequencing a series of conversions. The sequencing is fully configurable for any combination of 16 possible ADC channels through an analog multiplexer embedded in the ADC12 block. Once converted, the selected channel value is stored in the result register associated with the sequence number. Input channels can be sampled in any desired order or programmed to repeat conversions on the same channel multiple times during a conversion sequence. Selected channel conversions are also stored in the result registers in order of conversion, where the result 0 register is the first conversion of a 16-channel sequence and result 15 register is the last conversion of a 16-channel sequence. The number of channels converted in a sequence can vary from 1 to 16.

Unlike EADC0 through EADC2, which are primarily designed for closing high speed compensation loops, the ADC12 is not usually used for loop compensation purposes. The EADC converters have a substantially faster conversion rate, thus making them more attractive for closed loop control. The ADC12 features make it best suited for monitoring and detection of currents, voltages, temperatures and faults.

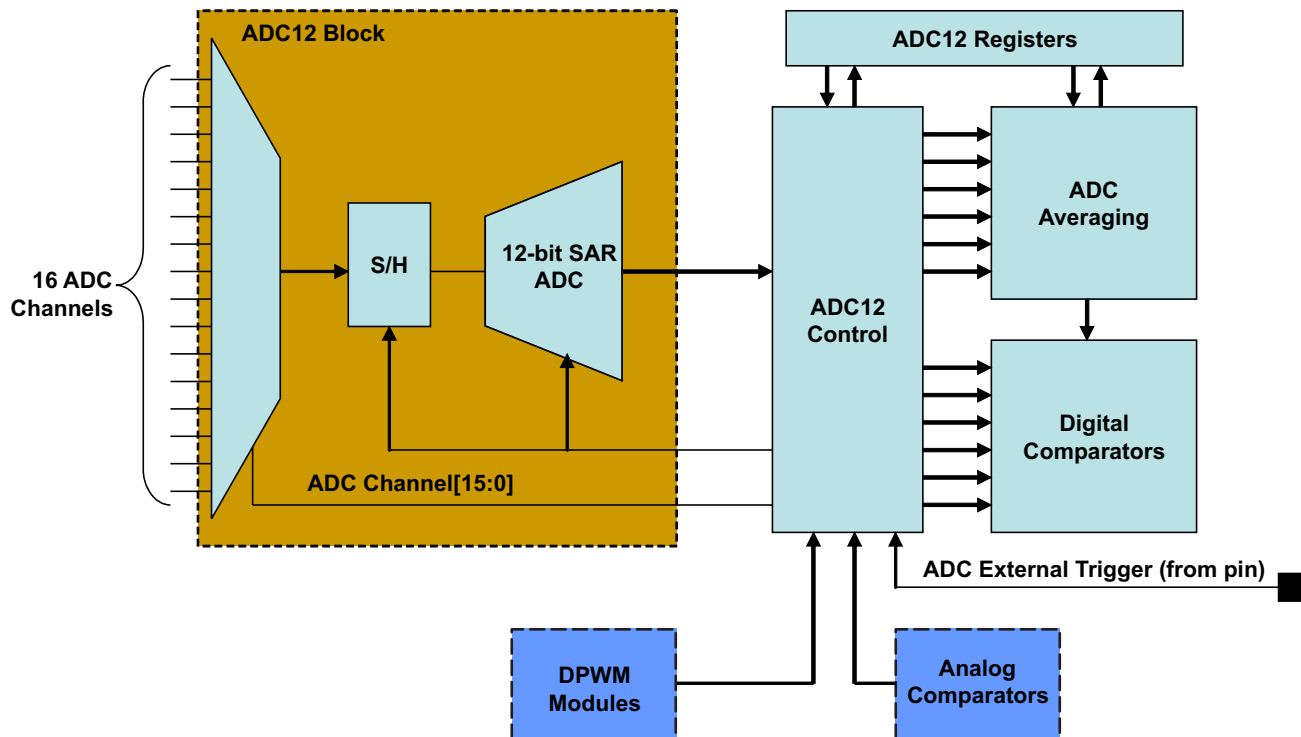


Figure 4-4. ADC12 Control Block Diagram

4.15.4 Timers

External to the Fusion Digital Power Peripherals there are 3 different types of timers in UCD3138. They are the 24-bit timer, 16-bit timer and the Watchdog timer

4.15.4.1 24-bit PWM Timer

There is one 24 bit counter PWM timer which runs off the Interface Clock and can further be divided down by an 8-bit pre-scalar to generate a slower PWM time period. The timer has two compare registers (Data Registers) for generating the PWM set/unset events. Additionally, the timer has a shadow register (Data Buffer register) which can be used to store CPU updates of the compare events while still using the timer. The selected shadow register update mode happens after the compare event matches.

The two capture pins TCMP0 and TCMP1 are inputs for recording a capture event. A capture event can be set either to rising, falling, or both edges of the capture pin. Upon this event, the counter value is stored in the corresponding capture data register.

The counter reset can be configured to happen on a counter roll over, a compare equal event, or by software controlled register. Five Interrupts from the PWM timer can be set, which are the counter rollover event (overflow), either capture event 0 or 1, or the two comparison match events. Each interrupt can be disabled or enabled.

Upon an event comparison on only the second event, the TCMP pin can be configured to set, clear, toggle or have no action at the output. The value of PWM pin output can be read for status or simply configured as general purpose I/O for reading the value of the input at the pin. The first compare event can only be used as an interrupt.

4.15.4.2 16-Bit PWM Timers

There are four 16 bit counter PWM timers which run off the Interface Clock and can further be divided down by a 8-bit pre-scaler to generate slower PWM time periods. Each timer has two compare registers (Data Registers) for generating the PWM set/unset events. Additionally, each timer has a shadow register (Data Buffer register) which can be used to store CPU updates of compare events while still using the timer. The selected shadow register update mode happens after the compare event matches.

The counter reset can be configured to happen on a counter roll over, a compare equal event, or by a software controlled register. Interrupts from the PWM timer can be set due to the counter rollover event (overflow) or by the two comparison match events. Each comparison match and the overflow interrupts can be disabled or enabled.

Upon an event comparison, the PWM pin can be configured to set, clear, toggle or have no action at the output. The value of PWM pin output can be read for status or simply configured as General Purpose I/O for reading the value of the input at the pin.

4.15.4.3 Watchdog Timer

A watchdog timer is provided on the device for ensuring proper firmware loop execution. The timer is clocked off of a separate low speed oscillator source for providing a timeout range between 10 ms and 1.3 s. If the timer is allowed to expire, a reset condition is issued to the ARM processor. The watchdog is reset by a simple CPU write bit to the watchdog key register by the firmware routine. On device power-up the watchdog is disabled. Yet after it is enabled, the watchdog cannot be disabled by firmware. Only a device reset can put this bit back to the default disabled state. A half timer flag is also provided for status monitoring of the watchdog.

4.16 Miscellaneous Analog

The Miscellaneous Analog Control (MAC) Registers are a catch-all of registers that control and monitor a wide variety of functions. These functions include device supervisory features such as Brown-Out and power saving configuration, general purpose input/output configuration and interfacing, internal temperature sensor control and current sharing control.

The MAC module also provides trim signals to the oscillator and AFE blocks. These controls are usually used at the time of trimming at manufacturing; therefore this document will not cover these trim controls.

The MAC registers and peripherals are all available in the UCD3138 (64 pin version). Other UCD31xx devices may have reduced resources. See the device pin out description for details.

4.17 Package ID Information

Package ID register includes information regarding the package type of the device and can be read by firmware for reporting through PMBus or for other package sensitive decisions.

BIT NUMBER	1:0
Bit Name	PKG_ID
Access	R/W
Default	00

4.18 Brownout

Brownout function is used to determine if the device supply voltage is lower than a threshold voltage, a condition that may be considered unsafe for proper operation of the device.

The brownout threshold is higher than the reset threshold voltage; therefore, when the supply voltage is lower than brownout threshold, it still does not necessarily trigger a device reset.

The brownout interrupt flag can be polled or alternatively can trigger an interrupt to service such case by an interrupt service routine. Please see the [Power On Reset \(POR\) / Brown Out Reset \(BOR\)](#) section.

4.19 Global I/O

Up to 30 pins in UCD31xx can be configured to serve as a general purpose input or output pin (GPIO). This includes all digital input or output pins except for the RESET pin.

The pins that cannot be configured as GPIO pins are the supply pins, ground pins, ADC-12 analog input pins, EADC analog input pins and the RESET pin.

There are two ways to configure and use the digital pins as GPIO pins:

1. Through the centralized Global I/O control registers.
2. Through the distributed control registers in the specific peripheral that shares it pins with the standard GPIO functionality.

The Global I/O registers offer full control of:

1. Configuring each pin as a GPIO.
2. Setting each pin as input or output.
3. Reading the pin's logic state, if it is configured as an input pin.
4. Setting the logic state of the pin, if it is configured as an output pin.
5. Connecting pin/pins to high rail through internal pull up resistors.

The Global I/O registers include Global I/O EN register, Global I/O OE Register, Global I/O Open Drain Control Register, Global I/O Value Register and Global I/O Read Register.

The following is showing the format of Global I/O EN Register (GLBIOEN) as an example:

BIT NUMBER	29:0
Bit Name	GLOBAL_IO_EN
Access	R/W
Default	00_0000_0000_0000_0000_0000_0000_0000

Bits 29-0: GLOBAL_IO_EN – This register enables the global control of digital I/O pins
0 = Control of IO is done by the functional block assigned to the IO (Default)
1 = Control of IO is done by Global IO registers.

BIT	PIN_NAME	PIN NUMBER	
		UCD3138-64 PIN	UCD3138-40 PIN
29	FAULT[3]	43	NA
28	ADC_EXT_TRIG	12, 26	8
27	TCK	37	21
26	TDO	38	20
25	TMS	40	24
24	TDI	39	23
23	SCI_TX[1]	29	NA
22	SCI_TX[0]	14	22
21	SCI_RX[1]	30	NA
20	SCI_RX[0]	13	23
19	TMR_CAP	12, 26, 41	8, 21
18	TMR_PWM[1]	32	NA
17	TMR_PWM[0]	12, 26, 31, 37	21
16	PMBUS-CLK	15	9
15	PMBUS-DATA	16	10
14	CONTROL	30	20
13	ALERT	29	19
12	EXT_INT	26, 34	NA

BIT	PIN_NAME	PIN NUMBER	
		UCD3138-64 PIN	UCD3138-40 PIN
11	FAULT[2]	42	25
10	FAULT[1]	36	23
9	FAULT[0]	35, 39	22
8	SYNC	12, 26,37	8, 21
7	DPWM3B	24	18
6	DPWM3A	23	17
5	DPWM2B	22	16
4	DPWM2A	21	15
3	DPWM1B	20	14
2	DPWM1A	19	13
1	DPWM0B	18	12
0	DPWM0A	17	11

4.20 Temperature Sensor Control

Temperature sensor control register provides internal temperature sensor enabling and trimming capabilities. The internal temperature sensor is disabled as default.

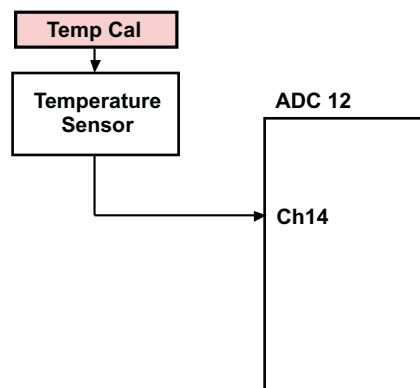


Figure 4-5. Internal Temp Sensor

Temperature sensor is calibrated at room temperature (25 °C) via a calibration register value.

The temperature sensor is measured using ADC12 (via Ch14). The temperature is then calculated using a mathematical formula involving the calibration register (this effectively adds a delta to the ADC measurement).

The temperature sensor can be enabled or disabled.

4.21 I/O Mux Control

In different packages of UCD3138 several I/O functions are multiplexed and routed toward a single physical pin. I/O Mux Control register may be used in order to choose a single specific functionality that is desired to be assigned to a physical device pin for your application.

4.21.1 JTAG Use for I/O and JTAG Security

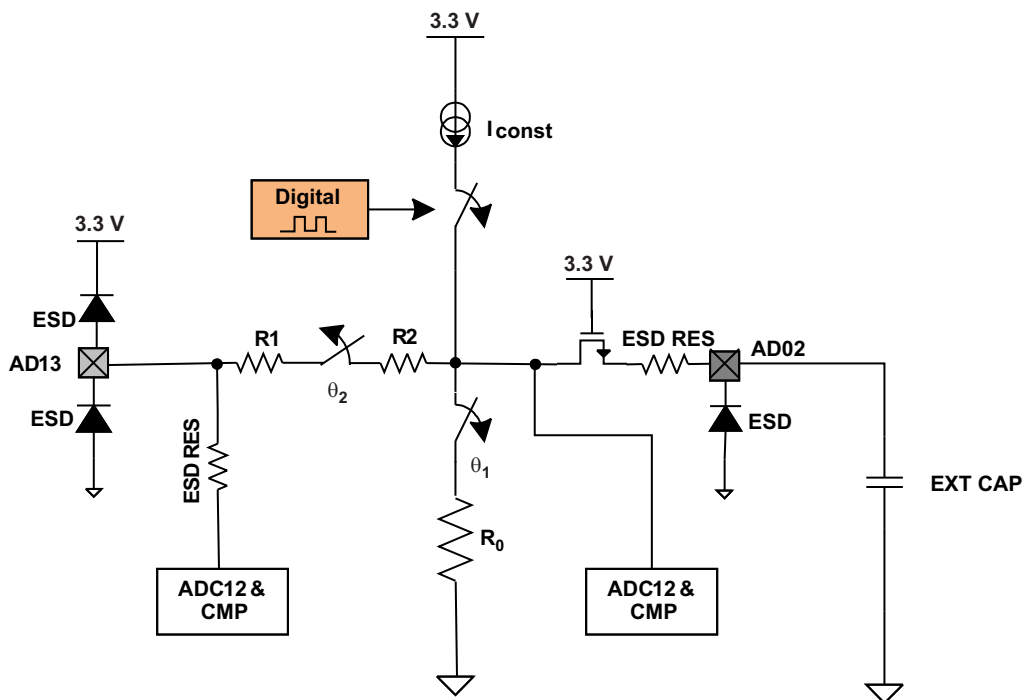
The UCD3138 provides a JTAG interface for debugging and for uploading data and programs. The pins are multiplexed with other pins, and will not be available in certain topologies. For power supplies, other debugging techniques (PMBus, UART, code instrumentation) are often superior to JTAG. Code downloading is much faster via PMBus, or with a user boot program via UART. PMBus support is available from TI. JTAG for debugging has limited support from TI's Code Composer Studio. JTAG parameter download may be supported by third parties.

4.22 Current Sharing Control

UCD3138 provides three separate modes of current sharing operation.

- Analog bus current sharing
- PWM bus current sharing
- Master/Slave current sharing

The simplified current sharing circuitry is shown in the drawing below:



CURRENT SHARING MODE	FOR TEST ONLY, ALWAYS KEEP 00	CS_MODE	EN_SW1	EN_SW2	DPWM
Off or Slave Mode (3-state)	00	00 (default)	0	0	0
PWM Bus	00	01	1	0	ACTIVE
Off or Slave Mode (3-state)	00	10	0	0	0
Analog Bus or Master	00	11	0	1	0

The period and the duty of 8-bit PWM current source and the state of the SW1 and SW2 switches can be controlled through the current sharing control register (CSCTRL).

4.23 Temperature Reference

The temperature reference register (TEMPREF) provides the ADC12 count when ADC12 measures the internal temperature sensor (channel 14) during the factory trim and calibration.

This information can be used by different periodic temperature compensation routines implemented in the firmware. But it should not be overwritten by firmware, otherwise this factory written value will be lost.

4.24 Power Disable Control or (Clock Gating Control)

Power disable control register provides control bits that can enable or disable arrival of clock to several peripherals such as, PCM, CPCC, digital filters, front ends, DPWMs, UARTs, ADC-12 and more.

All these controls are enabled as default. If a specific peripheral is not used in a specific application the clock gate can be disabled in order to block the propagation of clock signal to that peripheral and therefore reduce the overall current consumption of the device.

5 IC Grounding and Layout Recommendations

- Two grounds are recommended: AGND (analog) and DGND (digital).
 - AGND plane should be on a different layer than DGND, and right under the UCD3xxx device.
 - UCD3xxx power pad should be tied to AGND plane by at least 4 vias
 - AGND plane should be just large enough to connect to all required components.
 - Power ground (PGND) can be independent or combined with DGND
- Both 3.3VD and 3.3VA should have a local 0.1 μ F capacitor placed as close as possible to the device pins
- BPCAP decoupling (2.2 μ F typically) MUST be connected to DGND
- All analog signal filter capacitors should be tied to AGND
 - If the UCD7201 or UCD7100 driver is used, the filter capacitor for the current sensing pin can be tied to DGND for easy layout
- All digital signals, such as GPIO, PMBus and PWM are referenced to DGND.
- The RESET pin capacitor (0.1 μ F) should be connected to either DGND or AGND locally. A 10k Ω pull-up resistor to 3.3V is recommended.
- All filter and decoupling capacitors should be placed close to UCD3xxx as possible
 - Resistor placement is less critical and can be moved a little further away
- The DGND and AGND net-short resistor MUST be placed right between one UCD3xxx's DGND pin and one AGND pin. Ground connections to the net short element should be made by a large via (or multiple paralleled vias) for each terminal of the net-short element.
- If a UCD7201 or UCD7100 device is on the control card and there is a PGND connection, a net-short resistor should be tied to the DGND plane and PGND plane by multiple vias. In addition the net-short element should be close to the driver IC.
 - The power pad of the driver IC should be tied to DGND

6 References

1. Programmer's Manual
2. ARM Documentation
3. Fusion Digital Power Designer
4. PMBus Standards
5. SMBus Standards

7 Mechanical Data

Mechanical data is appended to the core document when published.

Revision History

NOTE: Page numbers for previous revisions may differ from page numbers in the current version.

Changes from Original (March 2012) to Revision A	Page
• Added Production Data statement to footnote and removed "Product Preview" banner	6

PACKAGING INFORMATION

Orderable Device	Status ⁽¹⁾	Package Type	Package Drawing	Pins	Package Qty	Eco Plan ⁽²⁾	Lead/ Ball Finish	MSL Peak Temp ⁽³⁾	Samples (Requires Login)
UCD3138RGCR	ACTIVE	VQFN	RGC	64	2000	Green (RoHS & no Sb/Br)	CU NIPDAU	Level-3-260C-168 HR	
UCD3138RGCT	ACTIVE	VQFN	RGC	64	250	Green (RoHS & no Sb/Br)	CU NIPDAU	Level-3-260C-168 HR	
UCD3138RHAR	PREVIEW	VQFN	RHA	40	2500	Green (RoHS & no Sb/Br)	CU NIPDAU	Level-3-260C-168 HR	
UCD3138RHAT	PREVIEW	VQFN	RHA	40	250	Green (RoHS & no Sb/Br)	CU NIPDAU	Level-3-260C-168 HR	

⁽¹⁾ The marketing status values are defined as follows:

ACTIVE: Product device recommended for new designs.

LIFEBUY: TI has announced that the device will be discontinued, and a lifetime-buy period is in effect.

NRND: Not recommended for new designs. Device is in production to support existing customers, but TI does not recommend using this part in a new design.

PREVIEW: Device has been announced but is not in production. Samples may or may not be available.

OBSELETE: TI has discontinued the production of the device.

⁽²⁾ Eco Plan - The planned eco-friendly classification: Pb-Free (RoHS), Pb-Free (RoHS Exempt), or Green (RoHS & no Sb/Br) - please check <http://www.ti.com/productcontent> for the latest availability information and additional product content details.

TBD: The Pb-Free/Green conversion plan has not been defined.

Pb-Free (RoHS): TI's terms "Lead-Free" or "Pb-Free" mean semiconductor products that are compatible with the current RoHS requirements for all 6 substances, including the requirement that lead not exceed 0.1% by weight in homogeneous materials. Where designed to be soldered at high temperatures, TI Pb-Free products are suitable for use in specified lead-free processes.

Pb-Free (RoHS Exempt): This component has a RoHS exemption for either 1) lead-based flip-chip solder bumps used between the die and package, or 2) lead-based die adhesive used between the die and leadframe. The component is otherwise considered Pb-Free (RoHS compatible) as defined above.

Green (RoHS & no Sb/Br): TI defines "Green" to mean Pb-Free (RoHS compatible), and free of Bromine (Br) and Antimony (Sb) based flame retardants (Br or Sb do not exceed 0.1% by weight in homogeneous material)

⁽³⁾ MSL, Peak Temp. -- The Moisture Sensitivity Level rating according to the JEDEC industry standard classifications, and peak solder temperature.

Important Information and Disclaimer: The information provided on this page represents TI's knowledge and belief as of the date that it is provided. TI bases its knowledge and belief on information provided by third parties, and makes no representation or warranty as to the accuracy of such information. Efforts are underway to better integrate information from third parties. TI has taken and continues to take reasonable steps to provide representative and accurate information but may not have conducted destructive testing or chemical analysis on incoming materials and chemicals. TI and TI suppliers consider certain information to be proprietary, and thus CAS numbers and other limited information may not be available for release.

In no event shall TI's liability arising out of such information exceed the total purchase price of the TI part(s) at issue in this document sold by TI to Customer on an annual basis.

TAPE AND REEL INFORMATION
REEL DIMENSIONS

TAPE DIMENSIONS


A0	Dimension designed to accommodate the component width
B0	Dimension designed to accommodate the component length
K0	Dimension designed to accommodate the component thickness
W	Overall width of the carrier tape
P1	Pitch between successive cavity centers

TAPE AND REEL INFORMATION

*All dimensions are nominal

Device	Package Type	Package Drawing	Pins	SPQ	Reel Diameter (mm)	Reel Width W1 (mm)	A0 (mm)	B0 (mm)	K0 (mm)	P1 (mm)	W (mm)	Pin1 Quadrant
UCD3138RGCR	VQFN	RGC	64	2000	330.0	16.4	9.3	9.3	1.5	12.0	16.0	Q2
UCD3138RGCT	VQFN	RGC	64	250	180.0	16.4	9.3	9.3	1.5	12.0	16.0	Q2

TAPE AND REEL BOX DIMENSIONS


*All dimensions are nominal

Device	Package Type	Package Drawing	Pins	SPQ	Length (mm)	Width (mm)	Height (mm)
UCD3138RGCR	VQFN	RGC	64	2000	346.0	346.0	33.0
UCD3138RGCT	VQFN	RGC	64	250	210.0	185.0	35.0

THERMAL PAD MECHANICAL DATA

RGC (S-PVQFN-N64)

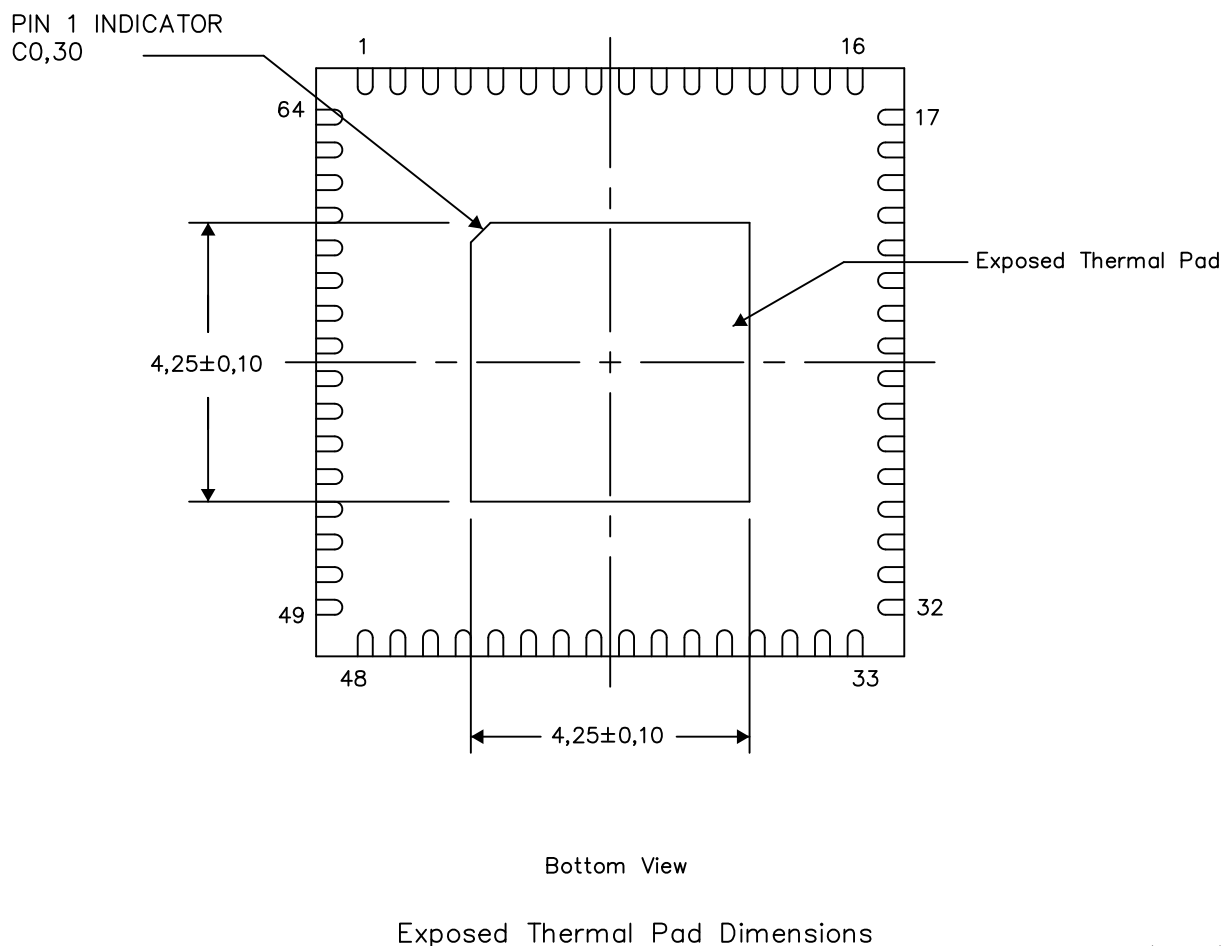
PLASTIC QUAD FLATPACK NO-LEAD

THERMAL INFORMATION

This package incorporates an exposed thermal pad that is designed to be attached directly to an external heatsink. The thermal pad must be soldered directly to the printed circuit board (PCB). After soldering, the PCB can be used as a heatsink. In addition, through the use of thermal vias, the thermal pad can be attached directly to the appropriate copper plane shown in the electrical schematic for the device, or alternatively, can be attached to a special heatsink structure designed into the PCB. This design optimizes the heat transfer from the integrated circuit (IC).

For information on the Quad Flatpack No-Lead (QFN) package and its advantages, refer to Application Report, QFN/SON PCB Attachment, Texas Instruments Literature No. SLUA271. This document is available at www.ti.com.

The exposed thermal pad dimensions for this package are shown in the following illustration.

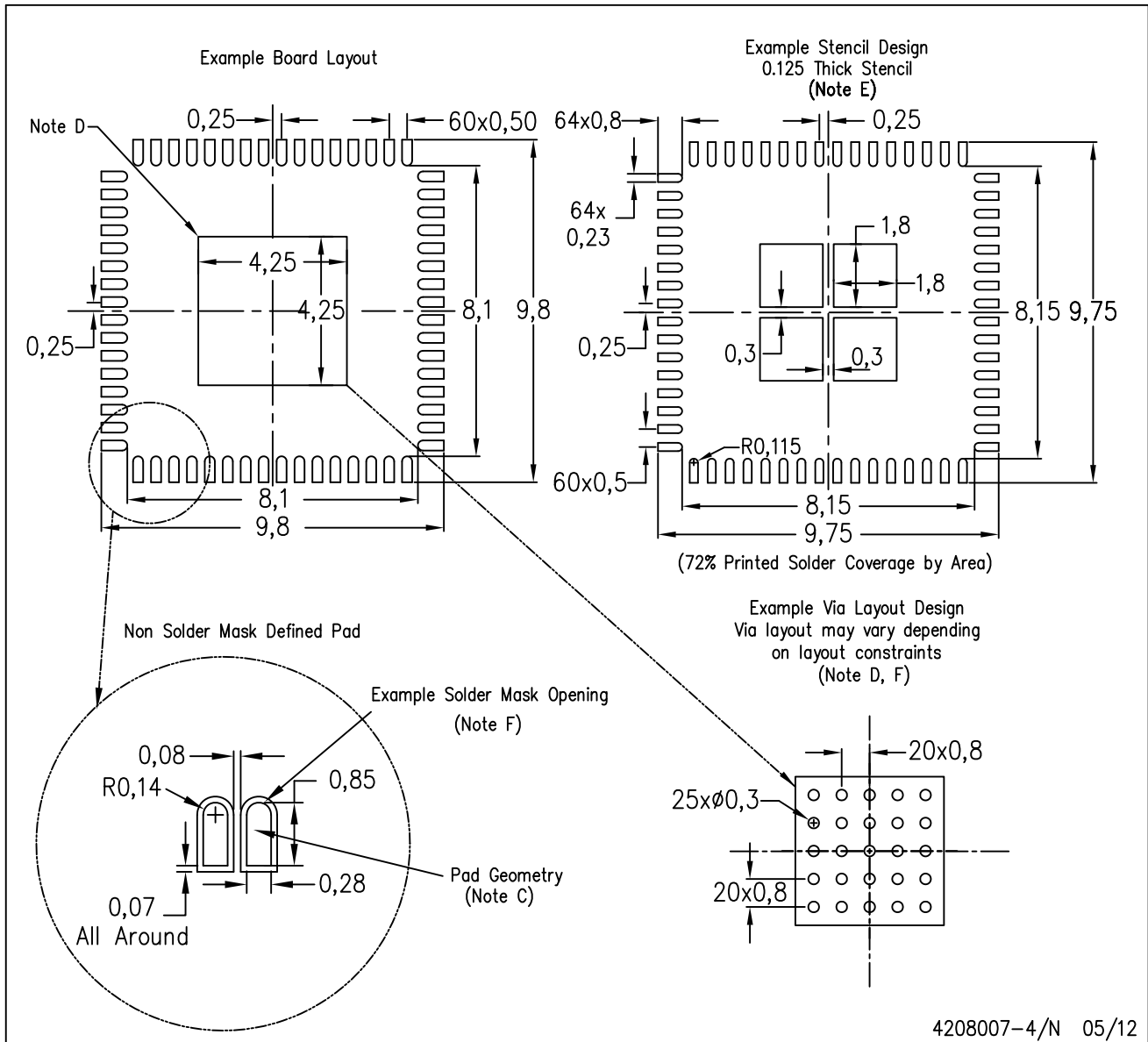


4206192-3/R 05/12

NOTE: A. All linear dimensions are in millimeters

RGC (S-PVQFN-N64)

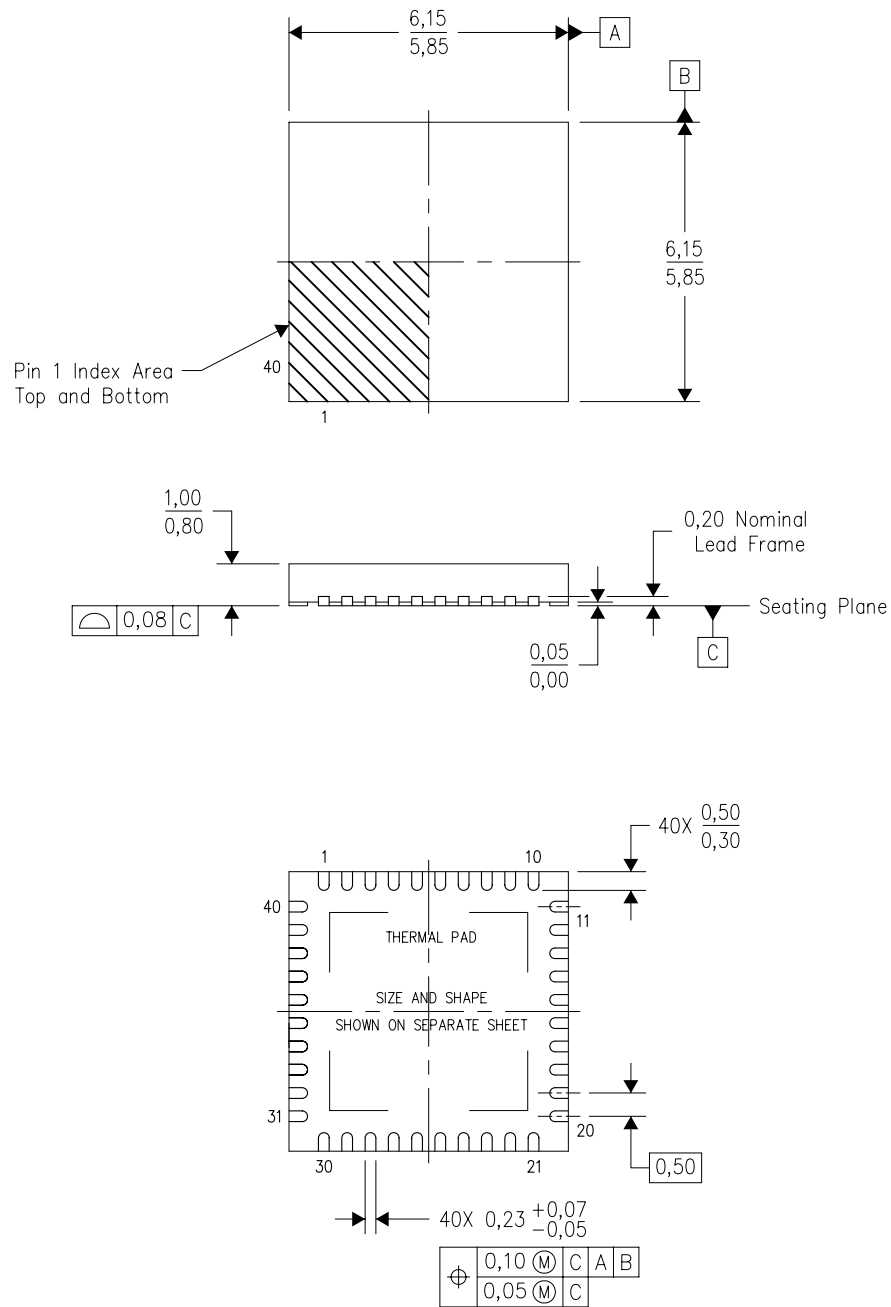
PLASTIC QUAD FLATPACK NO-LEAD



- NOTES:
- All linear dimensions are in millimeters.
 - This drawing is subject to change without notice.
 - Publication IPC-7351 is recommended for alternate designs.
 - This package is designed to be soldered to a thermal pad on the board. Refer to Application Note, Quad Flat-Pack Packages, Texas Instruments Literature No. SLUA271, and also the Product Data Sheets for specific thermal information, via requirements, and recommended board layout. These documents are available at www.ti.com <<http://www.ti.com>>.
 - Laser cutting apertures with trapezoidal walls and also rounding corners will offer better paste release. Customers should contact their board assembly site for stencil design recommendations. Refer to IPC 7525 for stencil design considerations.
 - Customers should contact their board fabrication site for recommended solder mask tolerances and via tenting recommendations for vias placed in thermal pad.

RHA (S-PVQFN-N40)

PLASTIC QUAD FLATPACK NO-LEAD



Bottom View

4204276/E 06/11

- NOTES:
- All linear dimensions are in millimeters. Dimensioning and tolerancing per ASME Y14.5M-1994.
 - This drawing is subject to change without notice.
 - QFN (Quad Flatpack No-Lead) Package configuration.
 - The package thermal pad must be soldered to the board for thermal and mechanical performance.
 - See the additional figure in the Product Data Sheet for details regarding the exposed thermal pad features and dimensions.
 - Package complies to JEDEC MO-220 variation VJJD-2.

IMPORTANT NOTICE

Texas Instruments Incorporated and its subsidiaries (TI) reserve the right to make corrections, modifications, enhancements, improvements, and other changes to its products and services at any time and to discontinue any product or service without notice. Customers should obtain the latest relevant information before placing orders and should verify that such information is current and complete. All products are sold subject to TI's terms and conditions of sale supplied at the time of order acknowledgment.

TI warrants performance of its hardware products to the specifications applicable at the time of sale in accordance with TI's standard warranty. Testing and other quality control techniques are used to the extent TI deems necessary to support this warranty. Except where mandated by government requirements, testing of all parameters of each product is not necessarily performed.

TI assumes no liability for applications assistance or customer product design. Customers are responsible for their products and applications using TI components. To minimize the risks associated with customer products and applications, customers should provide adequate design and operating safeguards.

TI does not warrant or represent that any license, either express or implied, is granted under any TI patent right, copyright, mask work right, or other TI intellectual property right relating to any combination, machine, or process in which TI products or services are used. Information published by TI regarding third-party products or services does not constitute a license from TI to use such products or services or a warranty or endorsement thereof. Use of such information may require a license from a third party under the patents or other intellectual property of the third party, or a license from TI under the patents or other intellectual property of TI.

Reproduction of TI information in TI data books or data sheets is permissible only if reproduction is without alteration and is accompanied by all associated warranties, conditions, limitations, and notices. Reproduction of this information with alteration is an unfair and deceptive business practice. TI is not responsible or liable for such altered documentation. Information of third parties may be subject to additional restrictions.

Resale of TI products or services with statements different from or beyond the parameters stated by TI for that product or service voids all express and any implied warranties for the associated TI product or service and is an unfair and deceptive business practice. TI is not responsible or liable for any such statements.

TI products are not authorized for use in safety-critical applications (such as life support) where a failure of the TI product would reasonably be expected to cause severe personal injury or death, unless officers of the parties have executed an agreement specifically governing such use. Buyers represent that they have all necessary expertise in the safety and regulatory ramifications of their applications, and acknowledge and agree that they are solely responsible for all legal, regulatory and safety-related requirements concerning their products and any use of TI products in such safety-critical applications, notwithstanding any applications-related information or support that may be provided by TI. Further, Buyers must fully indemnify TI and its representatives against any damages arising out of the use of TI products in such safety-critical applications.

TI products are neither designed nor intended for use in military/aerospace applications or environments unless the TI products are specifically designated by TI as military-grade or "enhanced plastic." Only products designated by TI as military-grade meet military specifications. Buyers acknowledge and agree that any such use of TI products which TI has not designated as military-grade is solely at the Buyer's risk, and that they are solely responsible for compliance with all legal and regulatory requirements in connection with such use.

TI products are neither designed nor intended for use in automotive applications or environments unless the specific TI products are designated by TI as compliant with ISO/TS 16949 requirements. Buyers acknowledge and agree that, if they use any non-designated products in automotive applications, TI will not be responsible for any failure to meet such requirements.

Following are URLs where you can obtain information on other Texas Instruments products and application solutions:

Products

Audio	www.ti.com/audio
Amplifiers	amplifier.ti.com
Data Converters	dataconverter.ti.com
DLP® Products	www.dlp.com
DSP	dsp.ti.com
Clocks and Timers	www.ti.com/clocks
Interface	interface.ti.com
Logic	logic.ti.com
Power Mgmt	power.ti.com
Microcontrollers	microcontroller.ti.com
RFID	www.ti-rfid.com
OMAP Mobile Processors	www.ti.com/omap
Wireless Connectivity	www.ti.com/wirelessconnectivity

Applications

Automotive and Transportation	www.ti.com/automotive
Communications and Telecom	www.ti.com/communications
Computers and Peripherals	www.ti.com/computers
Consumer Electronics	www.ti.com/consumer-apps
Energy and Lighting	www.ti.com/energy
Industrial	www.ti.com/industrial
Medical	www.ti.com/medical
Security	www.ti.com/security
Space, Avionics and Defense	www.ti.com/space-avionics-defense
Video and Imaging	www.ti.com/video

TI E2E Community Home Page

e2e.ti.com

Mailing Address: Texas Instruments, Post Office Box 655303, Dallas, Texas 75265
Copyright © 2012, Texas Instruments Incorporated