

DIFFERENTIAL BUS TRANSCEIVER

FEATURES

- **One-Fourth Unit Load Allows up to 128 Devices on a Bus**
- **ESD Protection for Bus Terminals:**
 - ± 15 -kV Human Body Model
 - ± 8 -kV IEC61000-4-2, Contact Discharge
 - ± 15 -kV IEC61000-4-2, Air-Gap Discharge
- **Meets or Exceeds the Requirements of ANSI Standard TIA/EIA-485-A and ISO 8482: 1987(E)**
- **Controlled Driver Output-Voltage Slew Rates Allow Longer Cable Stub Lengths**
- **Designed for Signaling Rates† Up to 250-kbps**
- **Low Disabled Supply Current . . . 250 μ A Max**
- **Thermal Shutdown Protection**
- **Open-Circuit Fail-Safe Receiver Design**
- **Receiver Input Hysteresis . . . 70 mV Typ**
- **Glitch-Free Power-Up and Power-Down Protection**

APPLICATIONS

- **Utility Meters**
- **Industrial Process Control**
- **Building Automation**

DESCRIPTION

The SN65LBC182 and SN75LBC182 are differential data line transceivers with a high level of ESD protection in the trade-standard footprint of the SN75176. They are designed for balanced transmission lines and meet ANSI standard TIA/EIA-485-A and ISO 8482. The SN65LBC182 and SN75LBC182 combine a 3-state, differential line driver and differential input line receiver, both of which operate from a single 5-V power supply. The driver and receiver have active-high and active-low enables, respectively, which can be externally connected together to function as a direction control.

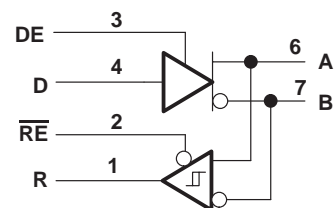
The driver outputs and the receiver inputs connect internally to form a differential input/output (I/O) bus port that is designed to offer minimum loading to the bus. This port operates over a wide range of common-mode voltage, making the device suitable for party-line applications. The device also includes additional features for party-line data buses in electrically noisy environment applications such as industrial process control or power inverters.

The SN75LBC182 and SN65LBC182 bus pins also exhibit a high input resistance equivalent to one-fourth unit load allowing connection of up to 128 similar devices on the bus. The high ESD tolerance protects the device for cabled connections. (For an even higher level of protection, see the SN65/75LBC184, literature number SLLS236.)

The differential driver design incorporates slew-rate-controlled outputs sufficient to transmit data up to 250 kbps. Slew-rate control allows longer unterminated cable runs and longer stub lengths from the main backbone than possible with uncontrolled voltage transitions. The receiver design provides a fail-safe output of a high level when the inputs are left floating (open circuit). Very low device supply current can be achieved by disabling the driver and the receiver.

The SN65LBC182 is characterized for operation from -40°C to 85°C , and the SN75LBC182 is characterized for operation from 0°C to 70°C .

functional block diagram



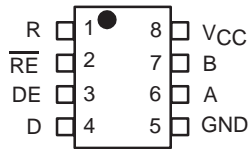
Please be aware that an important notice concerning availability, standard warranty, and use in critical applications of Texas Instruments semiconductor products and disclaimers thereto appears at the end of this data sheet.

†The signaling rate of a line, is the number of voltage transitions that are made per second expressed in the units bps (bits per second).

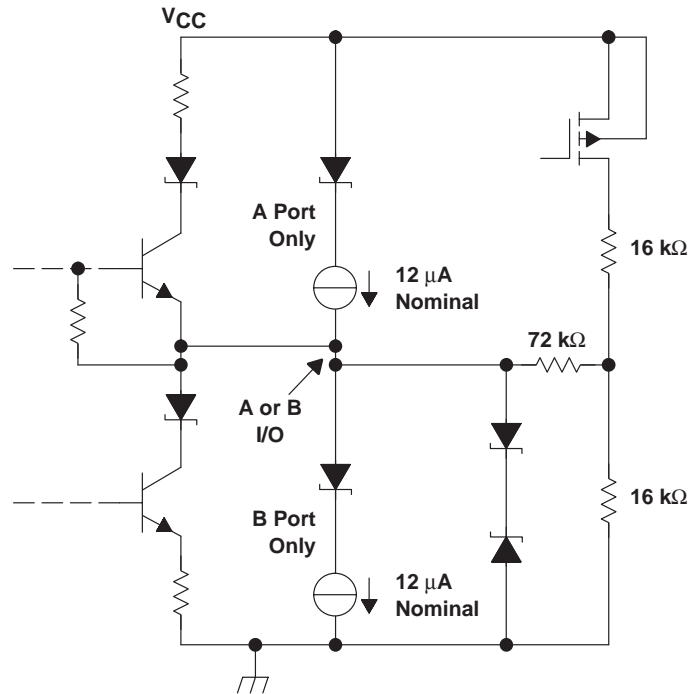
SN65LBC182 SN75LBC182

SLLS500A – MAY 2001 – REVISED MARCH 2005

SN65LBC182D (Marked as 6LB182)
 SN75LBC182D (Marked as 7LB182)
 SN65LBC182P (Marked as 65LBC182)
 SN75LBC182P (Marked as 75LBC182)
 (TOP VIEW)



schematic of inputs and outputs



Function Tables

DRIVER

INPUT D	ENABLE DE	OUTPUTS	
		A	B
H	H	H	L
L	H	L	H
X	L	Z	Z
Open	H	H	L

RECEIVER

DIFFERENTIAL INPUTS	ENABLE RE	OUTPUT R
$V_{ID} \geq 0.2 V$	L	H
$-0.2 V < V_{ID} < 0.2 V$	L	?
$V_{ID} \leq -0.2 V$	L	L
X	H	Z
Open	L	H

AVAILABLE OPTIONS

T _A	PACKAGE	
	PLASTIC SMALL-OUTLINE† (JEDEC MS-012)	PLASTIC DUAL-IN-LINE PACKAGE (JEDEC MS-001)
0°C to 70°C	SN75LBC182D	SN75LBC182P
-40°C to 85°C	SN65LBC182D	SN65LBC182P

† Add R suffix for taped and reel.

† For the most current package and ordering information, see the Package Option Addendum at the end of this document, or see the TI web site at www.ti.com.

driver electrical characteristics over recommended operating conditions

PARAMETER		TEST CONDITIONS	MIN	TYP†	MAX	UNIT
V _{IK}	Input clamp voltage	I _I = -18 mA	-1.5			V
V _O	Output voltage	I _O = 0	0		V _{CC}	V
V _{OD}	Differential output voltage	R _L = 54 Ω, See Figure 1	1.5	2.2	V _{CC}	V
		V _{test} = -7 V to 12 V, See Figure 2	1.5	2.2	V _{CC}	V
ΔV _{OD}	Change in magnitude of differential output voltage	See Figure 1	-0.2		0.2	V
V _{OC(SS)}	Steady-state common-mode output voltage		1		3	
ΔV _{OC(SS)}	Change in steady-state common-mode output voltage	See Figures 1 and 4	-0.2		0.2	
V _{OC(PP)}	Peak-to-peak change in common-mode output voltage during state transitions		0.8			V
I _{OZ}	High-impedance output current	See receiver input currents				
I _{IH}	High-level input current (D, DE)	V _I = 2.4 V			50	μA
I _{IL}	Low-level input current (D, DE)	V _I = 0.4 V	-50			μA
I _{OS}	Short-circuit output current	V _O = -7 V to 12 V	-250		250	mA
I _{CC}	Supply current	SN75LBC182	No load, DE at V _{CC} , \overline{RE} at V _{CC}	12	25	mA
		SN65LBC182		12	30	

† All typical values are at V_{CC} = 5 V and T_A = 25°C.

driver switching characteristics over recommended operating conditions (unless otherwise noted)

PARAMETER		TEST CONDITIONS	MIN	TYP	MAX	UNIT
t _r	Differential output signal rise time	R _L = 54 Ω, C _L = 50 pF, See Figure 3	0.25	0.72	1.2	μs
t _f	Differential output signal fall time		0.25	0.73	1.2	
t _{PLH}	Propagation delay time, low-to-high-level output				1.3	
t _{PHL}	Propagation delay time, high-to-low-level output				1.3	
t _{sk(p)}	Pulse skew (t _{PHL} - t _{PLH})			0.075	0.15	
t _{PZH}	Output enable time to high level	R _L = 110 Ω, See Figure 5			3.5	μs
t _{PHZ}	Output disable time from high level				3.5	
t _{PZL}	Output enable time to low level	R _L = 110 Ω, See Figure 6			3.5	μs
t _{PLZ}	Output disable time from low level				3.5	

receiver electrical characteristics over recommended operating conditions (unless otherwise noted)

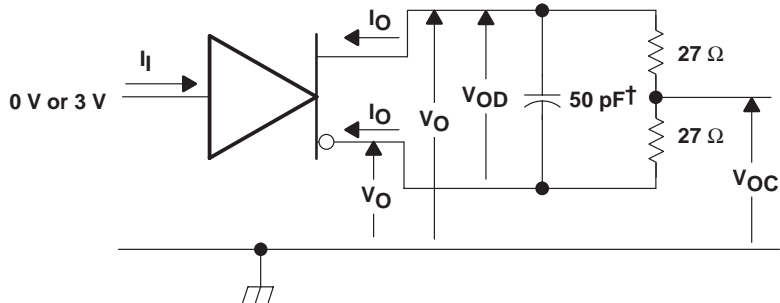
PARAMETER		TEST CONDITIONS	MIN	TYP†	MAX	UNIT
V_{IT+}	Positive-going input threshold voltage				0.2	V
V_{IT-}	Negative-going input threshold voltage		-0.2			
V_{hys}	Hysteresis voltage ($V_{IT+} - V_{IT-}$)			70		mV
V_{IK}	Enable-input clamp voltage	$I_I = -18$ mA	-1.5			V
V_{OH}	High-level output voltage	$V_{ID} = 200$ mV, $I_O = -8$ mA, See Figure 7	2.8			V
V_{OL}	Low-level output voltage	$V_{ID} = 200$ mV, $I_O = 4$ mA, See Figure 7			0.4	V
I_{OZ}	High-impedance-state output current	$V_O = 0.4$ to 2.4 V			± 1	μ A
I_I	Bus input current	$V_{IH} = 12$ V, $V_{CC} = 5$ V	Other input at 0 V		250	μ A
		$V_{IH} = 12$ V, $V_{CC} = 0$ V		250		
		$V_{IH} = -7$ V, $V_{CC} = 5$ V		-200		
		$V_{IH} = -7$ V, $V_{CC} = 0$ V		-200		
I_{IH}	High-level input current (\overline{RE})	$V_{IH} = 2$ V			50	μ A
I_{IL}	Low-level input current (\overline{RE})	$V_{IL} = 0.8$ V	-50			μ A
I_{CC}	Supply current	No load	DE at 0 V, \overline{RE} at 0 V		3.5	mA
			DE at 0 V, \overline{RE} at V_{CC}	175	250	μ A

† All typical values are at $V_{CC} = 5$ V and $T_A = 25^\circ\text{C}$.

receiver switching characteristics over recommended operating conditions (unless otherwise noted)

PARAMETER		TEST CONDITIONS	MIN	TYP	MAX	UNIT
t_r	Differential output signal rise time	$C_L = 50$ pF, See Figure 7		20		ns
t_f	Differential output signal fall time			20		
t_{PLH}	Propagation delay time, low-to-high-level output				150	
t_{PHL}	Propagation delay time, high-to-low-level output				150	
t_{PZH}	Output enable time to high level	See Figure 8		100		ns
t_{PZL}	Output enable time to low level			100		
t_{PHZ}	Output disable time from high level				100	ns
t_{PLZ}	Output disable time from low level				100	
$t_{sk(p)}$	Pulse skew $ t_{PHL} - t_{PLH} $			50	ns	

PARAMETER MEASUREMENT INFORMATION



†Includes probe and jig capacitance

Figure 1. Driver Test Circuit, V_{OD} and V_{OC} Without Common-Mode Loading

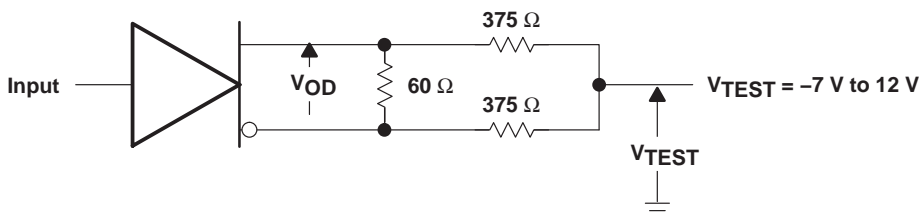
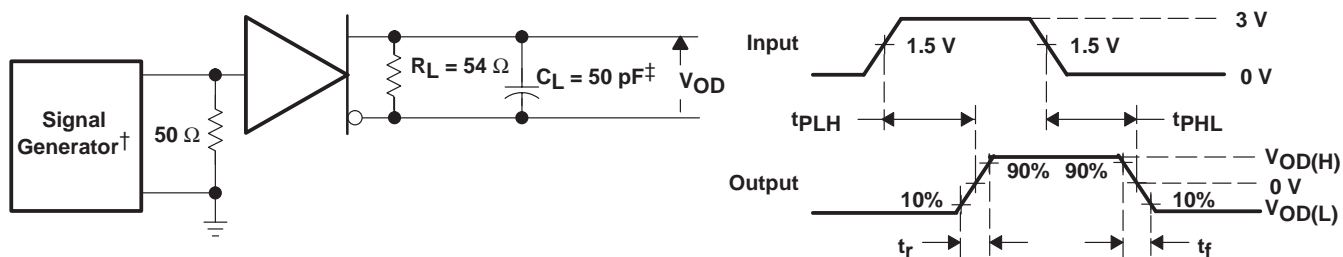


Figure 2. Driver Test Circuit, V_{OD} With Common-Mode Loading



†PRR = 1 MHz, 50% duty cycle, $t_r < 6$ ns, $t_f < 6$ ns, $Z_0 = 50 \Omega$

‡Includes probe and jig capacitance

Figure 3. Driver Switching Test Circuit and Waveforms

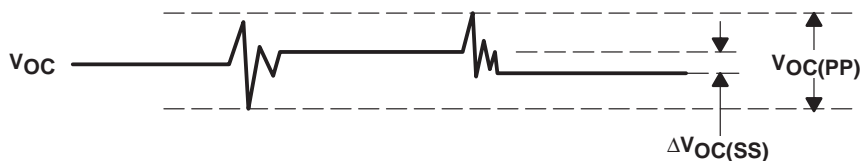
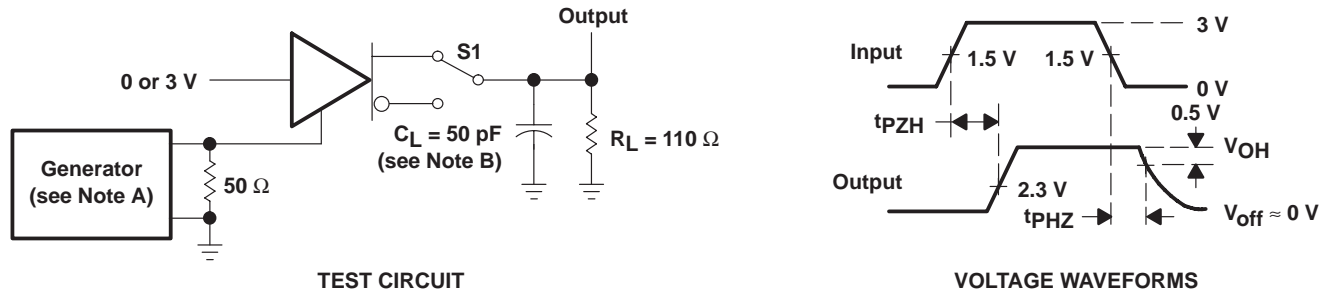


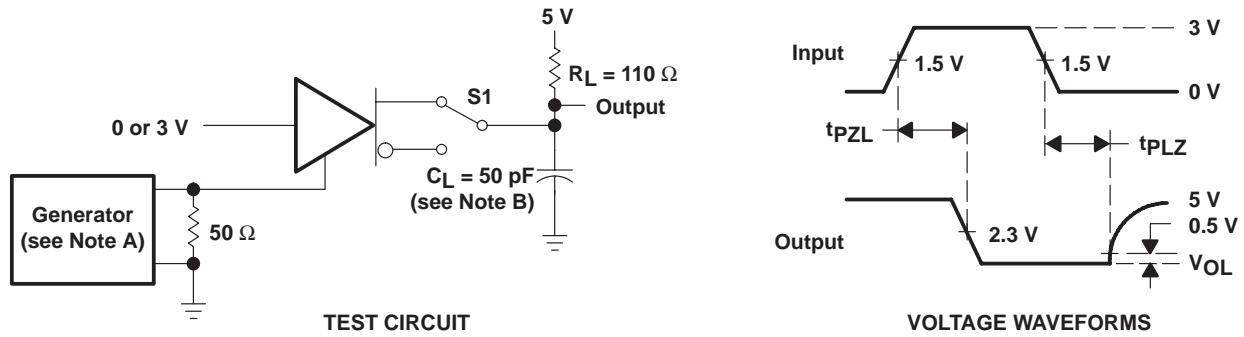
Figure 4. V_{OC} Definitions

PARAMETER MEASUREMENT INFORMATION



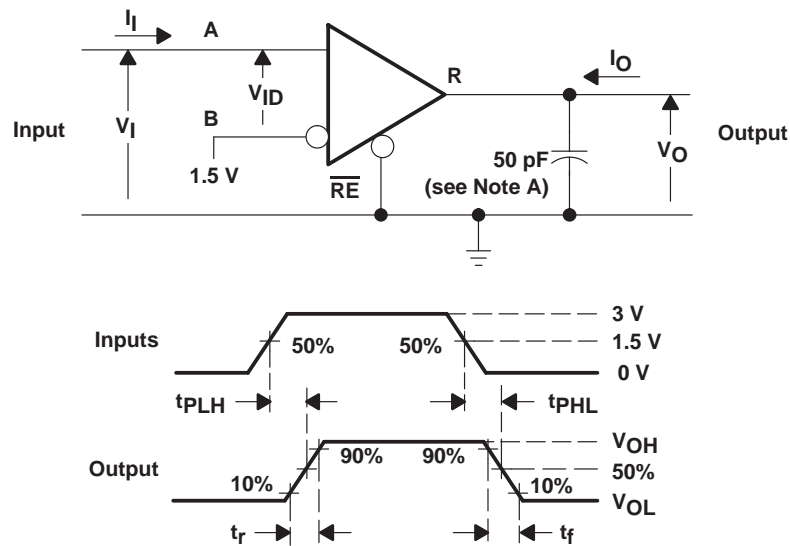
NOTES: A. The input pulse is supplied by a generator having the following characteristics: PRR = 1.25 kHz, 50% duty cycle, $t_r \leq 10$ ns, $t_f \leq 10$ ns, $Z_O = 50 \Omega$.
B. C_L includes probe and jig capacitance.

Figure 5. Driver t_{pZH} and t_{pHZ} Test Circuit and Voltage Waveforms



NOTES: A. The input pulse is supplied by a generator having the following characteristics: PRR = 1.25 kHz, 50% duty cycle, $t_r \leq 10$ ns, $t_f \leq 10$ ns, $Z_O = 50 \Omega$.
B. C_L includes probe and jig capacitance.

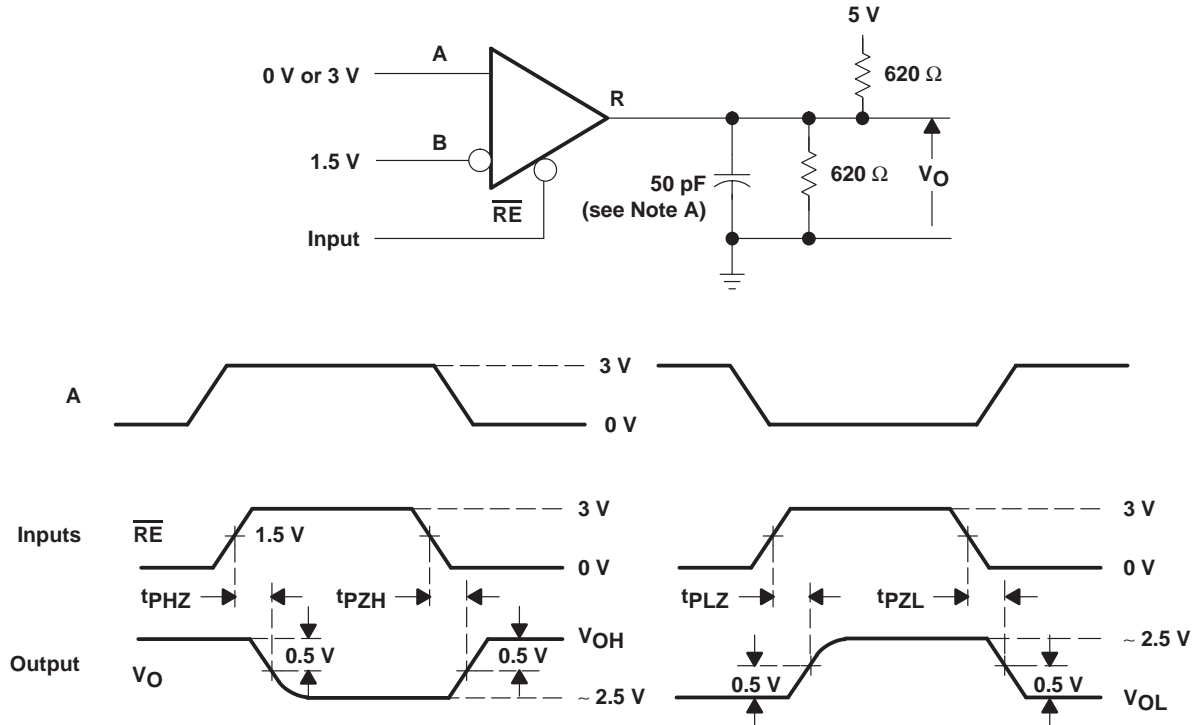
Figure 6. Driver t_{pZL} and t_{pLZ} Test Circuit and Voltage Waveforms



NOTE A: This value includes probe and jig capacitance ($\pm 10\%$).

Figure 7. Receiver t_{pLH} and t_{pHL} Test Circuit and Voltage Waveforms

PARAMETER MEASUREMENT INFORMATION



NOTE A: This value includes probe and jig capacitance ($\pm 10\%$).

Figure 8. Receiver t_{PZL} , t_{PLZ} , t_{PZH} , and t_{PHZ} Test Circuit and Voltage Waveforms

TYPICAL CHARACTERISTICS

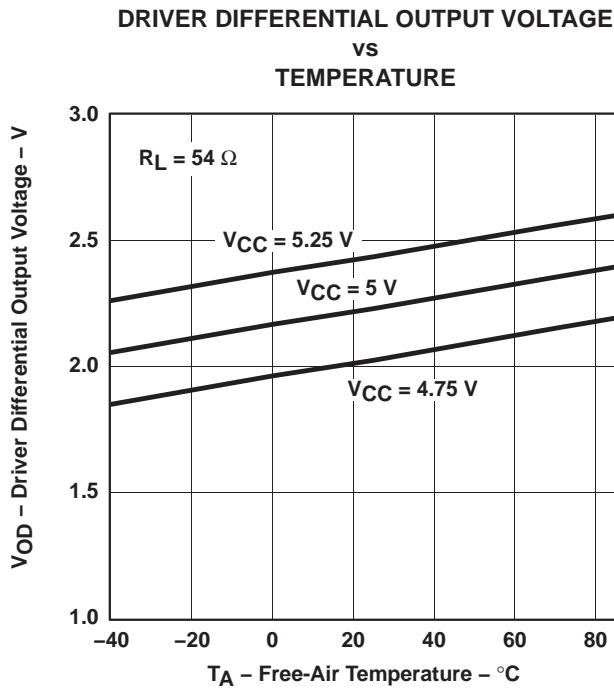


Figure 9

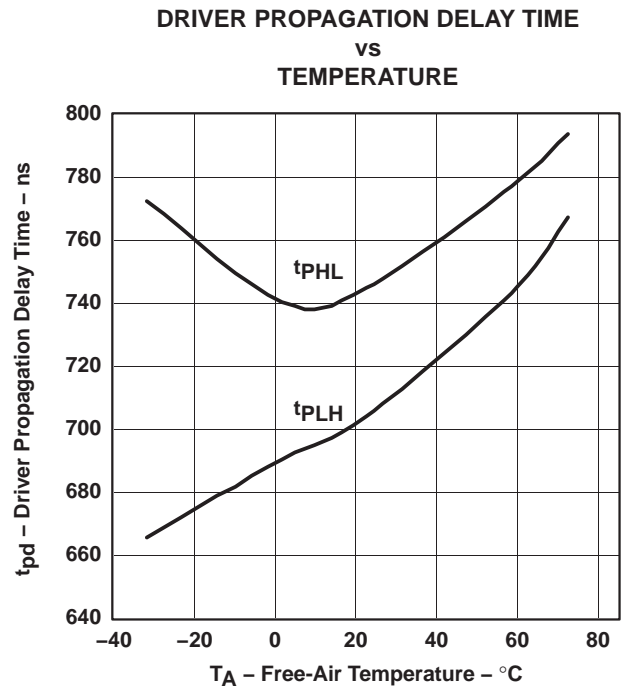


Figure 10

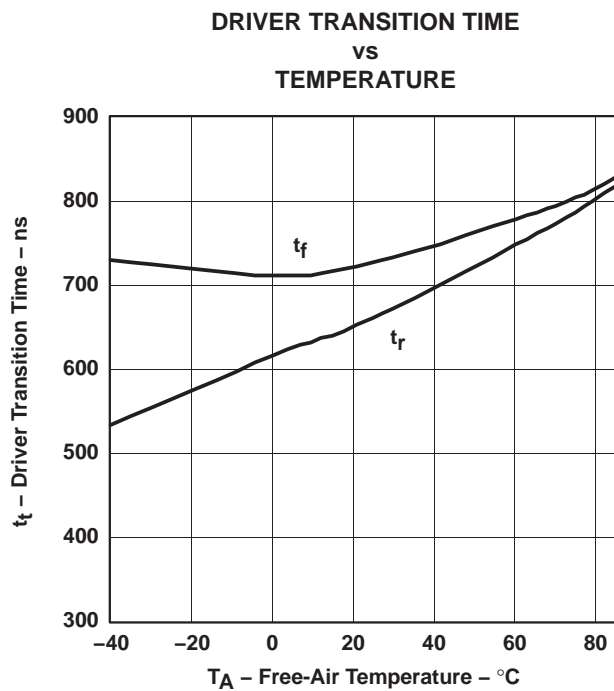


Figure 11

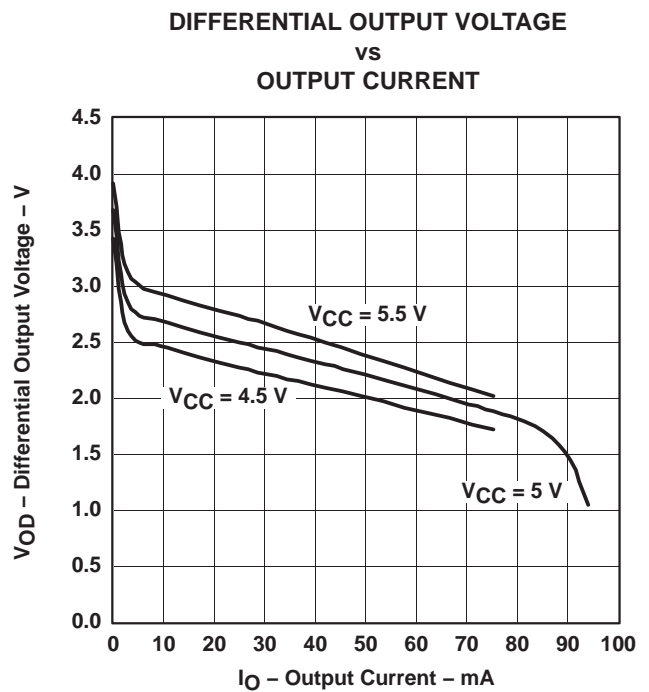


Figure 12

TYPICAL CHARACTERISTICS

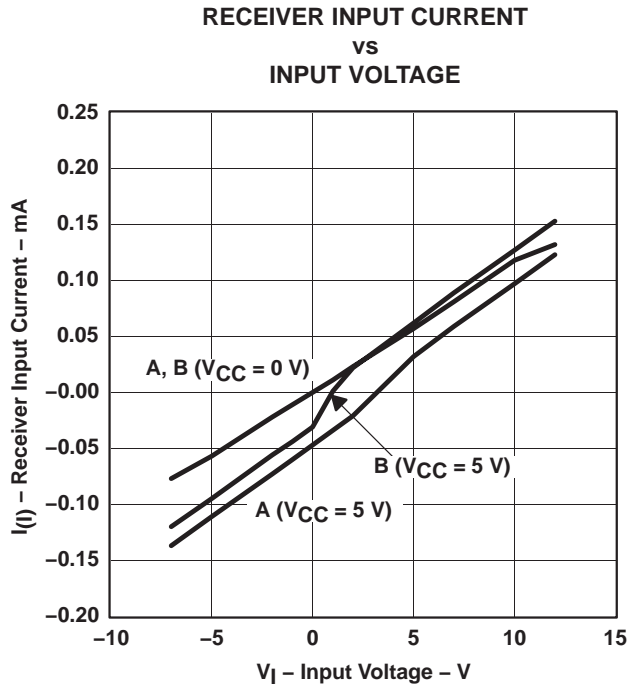
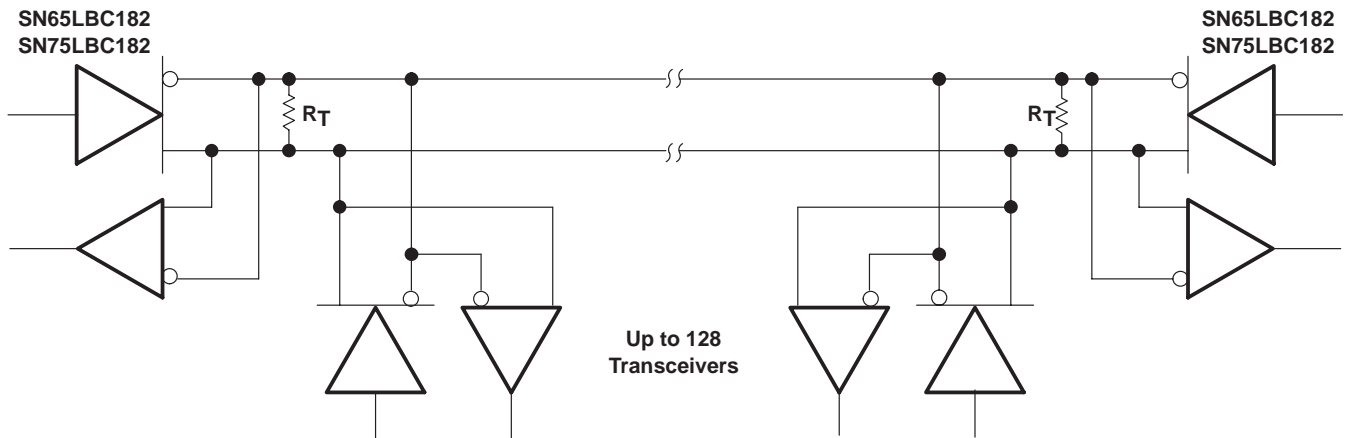


Figure 13

APPLICATION INFORMATION



NOTE A: The line should be terminated at both ends in its characteristic impedance ($R_T = Z_0$). Stub lengths off the main line should be kept as short as possible.

Figure 14. Typical Application Circuit

PACKAGING INFORMATION

Orderable Device	Status ⁽¹⁾	Package Type	Package Drawing	Pins	Package Qty	Eco Plan ⁽²⁾	Lead/Ball Finish	MSL Peak Temp ⁽³⁾
SN65LBC182D	ACTIVE	SOIC	D	8	75	Green (RoHS & no Sb/Br)	CU NIPDAU	Level-1-260C-UNLIM
SN65LBC182DG4	ACTIVE	SOIC	D	8	75	Green (RoHS & no Sb/Br)	CU NIPDAU	Level-1-260C-UNLIM
SN65LBC182DR	ACTIVE	SOIC	D	8	2500	Green (RoHS & no Sb/Br)	CU NIPDAU	Level-1-260C-UNLIM
SN65LBC182DRG4	ACTIVE	SOIC	D	8	2500	Green (RoHS & no Sb/Br)	CU NIPDAU	Level-1-260C-UNLIM
SN65LBC182P	ACTIVE	PDIP	P	8	50	Pb-Free (RoHS)	CU NIPDAU	N / A for Pkg Type
SN65LBC182PE4	ACTIVE	PDIP	P	8	50	Pb-Free (RoHS)	CU NIPDAU	N / A for Pkg Type
SN75LBC182D	ACTIVE	SOIC	D	8	75	Green (RoHS & no Sb/Br)	CU NIPDAU	Level-1-260C-UNLIM
SN75LBC182DG4	ACTIVE	SOIC	D	8	75	Green (RoHS & no Sb/Br)	CU NIPDAU	Level-1-260C-UNLIM
SN75LBC182DR	ACTIVE	SOIC	D	8	2500	Green (RoHS & no Sb/Br)	CU NIPDAU	Level-1-260C-UNLIM
SN75LBC182DRG4	ACTIVE	SOIC	D	8	2500	Green (RoHS & no Sb/Br)	CU NIPDAU	Level-1-260C-UNLIM
SN75LBC182P	ACTIVE	PDIP	P	8	50	Pb-Free (RoHS)	CU NIPDAU	N / A for Pkg Type
SN75LBC182PE4	ACTIVE	PDIP	P	8	50	Pb-Free (RoHS)	CU NIPDAU	N / A for Pkg Type

⁽¹⁾ The marketing status values are defined as follows:

ACTIVE: Product device recommended for new designs.

LIFEBUY: TI has announced that the device will be discontinued, and a lifetime-buy period is in effect.

NRND: Not recommended for new designs. Device is in production to support existing customers, but TI does not recommend using this part in a new design.

PREVIEW: Device has been announced but is not in production. Samples may or may not be available.

OBSOLETE: TI has discontinued the production of the device.

⁽²⁾ Eco Plan - The planned eco-friendly classification: Pb-Free (RoHS), Pb-Free (RoHS Exempt), or Green (RoHS & no Sb/Br) - please check <http://www.ti.com/productcontent> for the latest availability information and additional product content details.

TBD: The Pb-Free/Green conversion plan has not been defined.

Pb-Free (RoHS): TI's terms "Lead-Free" or "Pb-Free" mean semiconductor products that are compatible with the current RoHS requirements for all 6 substances, including the requirement that lead not exceed 0.1% by weight in homogeneous materials. Where designed to be soldered at high temperatures, TI Pb-Free products are suitable for use in specified lead-free processes.

Pb-Free (RoHS Exempt): This component has a RoHS exemption for either 1) lead-based flip-chip solder bumps used between the die and package, or 2) lead-based die adhesive used between the die and leadframe. The component is otherwise considered Pb-Free (RoHS compatible) as defined above.

Green (RoHS & no Sb/Br): TI defines "Green" to mean Pb-Free (RoHS compatible), and free of Bromine (Br) and Antimony (Sb) based flame retardants (Br or Sb do not exceed 0.1% by weight in homogeneous material)

⁽³⁾ MSL, Peak Temp. -- The Moisture Sensitivity Level rating according to the JEDEC industry standard classifications, and peak solder temperature.

Important Information and Disclaimer:The information provided on this page represents TI's knowledge and belief as of the date that it is provided. TI bases its knowledge and belief on information provided by third parties, and makes no representation or warranty as to the accuracy of such information. Efforts are underway to better integrate information from third parties. TI has taken and continues to take reasonable steps to provide representative and accurate information but may not have conducted destructive testing or chemical analysis on incoming materials and chemicals. TI and TI suppliers consider certain information to be proprietary, and thus CAS numbers and other limited information may not be available for release.

In no event shall TI's liability arising out of such information exceed the total purchase price of the TI part(s) at issue in this document sold by TI to Customer on an annual basis.

TAPE AND REEL INFORMATION



QUADRANT ASSIGNMENTS FOR PIN 1 ORIENTATION IN TAPE



*All dimensions are nominal

Device	Package Type	Package Drawing	Pins	SPQ	Reel Diameter (mm)	Reel Width W1 (mm)	A0 (mm)	B0 (mm)	K0 (mm)	P1 (mm)	W (mm)	Pin1 Quadrant
SN65LBC182DR	SOIC	D	8	2500	330.0	12.4	6.4	5.2	2.1	8.0	12.0	Q1
SN65LBC182DR	SOIC	D	8	2500	330.0	12.4	6.4	5.2	2.1	8.0	12.0	Q1
SN75LBC182DR	SOIC	D	8	2500	330.0	12.4	6.4	5.2	2.1	8.0	12.0	Q1
SN75LBC182DR	SOIC	D	8	2500	330.0	12.4	6.4	5.2	2.1	8.0	12.0	Q1

TAPE AND REEL BOX DIMENSIONS



*All dimensions are nominal

Device	Package Type	Package Drawing	Pins	SPQ	Length (mm)	Width (mm)	Height (mm)
SN65LBC182DR	SOIC	D	8	2500	340.5	338.1	20.6
SN65LBC182DR	SOIC	D	8	2500	346.0	346.0	29.0
SN75LBC182DR	SOIC	D	8	2500	340.5	338.1	20.6
SN75LBC182DR	SOIC	D	8	2500	346.0	346.0	29.0

D (R-PDSO-G8)

PLASTIC SMALL-OUTLINE PACKAGE



- NOTES:
- A. All linear dimensions are in inches (millimeters).
 - B. This drawing is subject to change without notice.
 - C. Body length does not include mold flash, protrusions, or gate burrs. Mold flash, protrusions, or gate burrs shall not exceed .006 (0,15) per end.
 - D. Body width does not include interlead flash. Interlead flash shall not exceed .017 (0,43) per side.
 - E. Reference JEDEC MS-012 variation AA.

P (R-PDIP-T8)

PLASTIC DUAL-IN-LINE



- NOTES: A. All linear dimensions are in inches (millimeters).
 B. This drawing is subject to change without notice.
 C. Falls within JEDEC MS-001

For the latest package information, go to http://www.ti.com/sc/docs/package/pkg_info.htm

IMPORTANT NOTICE

Texas Instruments Incorporated and its subsidiaries (TI) reserve the right to make corrections, modifications, enhancements, improvements, and other changes to its products and services at any time and to discontinue any product or service without notice. Customers should obtain the latest relevant information before placing orders and should verify that such information is current and complete. All products are sold subject to TI's terms and conditions of sale supplied at the time of order acknowledgment.

TI warrants performance of its hardware products to the specifications applicable at the time of sale in accordance with TI's standard warranty. Testing and other quality control techniques are used to the extent TI deems necessary to support this warranty. Except where mandated by government requirements, testing of all parameters of each product is not necessarily performed.

TI assumes no liability for applications assistance or customer product design. Customers are responsible for their products and applications using TI components. To minimize the risks associated with customer products and applications, customers should provide adequate design and operating safeguards.

TI does not warrant or represent that any license, either express or implied, is granted under any TI patent right, copyright, mask work right, or other TI intellectual property right relating to any combination, machine, or process in which TI products or services are used. Information published by TI regarding third-party products or services does not constitute a license from TI to use such products or services or a warranty or endorsement thereof. Use of such information may require a license from a third party under the patents or other intellectual property of the third party, or a license from TI under the patents or other intellectual property of TI.

Reproduction of TI information in TI data books or data sheets is permissible only if reproduction is without alteration and is accompanied by all associated warranties, conditions, limitations, and notices. Reproduction of this information with alteration is an unfair and deceptive business practice. TI is not responsible or liable for such altered documentation. Information of third parties may be subject to additional restrictions.

Resale of TI products or services with statements different from or beyond the parameters stated by TI for that product or service voids all express and any implied warranties for the associated TI product or service and is an unfair and deceptive business practice. TI is not responsible or liable for any such statements.

TI products are not authorized for use in safety-critical applications (such as life support) where a failure of the TI product would reasonably be expected to cause severe personal injury or death, unless officers of the parties have executed an agreement specifically governing such use. Buyers represent that they have all necessary expertise in the safety and regulatory ramifications of their applications, and acknowledge and agree that they are solely responsible for all legal, regulatory and safety-related requirements concerning their products and any use of TI products in such safety-critical applications, notwithstanding any applications-related information or support that may be provided by TI. Further, Buyers must fully indemnify TI and its representatives against any damages arising out of the use of TI products in such safety-critical applications.

TI products are neither designed nor intended for use in military/aerospace applications or environments unless the TI products are specifically designated by TI as military-grade or "enhanced plastic." Only products designated by TI as military-grade meet military specifications. Buyers acknowledge and agree that any such use of TI products which TI has not designated as military-grade is solely at the Buyer's risk, and that they are solely responsible for compliance with all legal and regulatory requirements in connection with such use.

TI products are neither designed nor intended for use in automotive applications or environments unless the specific TI products are designated by TI as compliant with ISO/TS 16949 requirements. Buyers acknowledge and agree that, if they use any non-designated products in automotive applications, TI will not be responsible for any failure to meet such requirements.

Following are URLs where you can obtain information on other Texas Instruments products and application solutions:

Products

Amplifiers	amplifier.ti.com
Data Converters	dataconverter.ti.com
DSP	dsp.ti.com
Clocks and Timers	www.ti.com/clocks
Interface	interface.ti.com
Logic	logic.ti.com
Power Mgmt	power.ti.com
Microcontrollers	microcontroller.ti.com
RFID	www.ti-rfid.com
RF/IF and ZigBee® Solutions	www.ti.com/lprf

Applications

Audio	www.ti.com/audio
Automotive	www.ti.com/automotive
Broadband	www.ti.com/broadband
Digital Control	www.ti.com/digitalcontrol
Medical	www.ti.com/medical
Military	www.ti.com/military
Optical Networking	www.ti.com/opticalnetwork
Security	www.ti.com/security
Telephony	www.ti.com/telephony
Video & Imaging	www.ti.com/video
Wireless	www.ti.com/wireless

Mailing Address: Texas Instruments, Post Office Box 655303, Dallas, Texas 75265
Copyright © 2008, Texas Instruments Incorporated